

KOOLAIRE®

Technician's Handbooks

K & KT Models

**Air/Water/Remote Condenser
Modular Ice Machines**

K & KF Models

UnderCounter Ice Machines



KOOLAIRE®

K & KT Models

Air/Water/Remote Condenser Modular Ice Machines

Technician's Handbook



Safety Notices

Read these precautions to prevent personal injury:

- Read this manual thoroughly before operating, installing or performing maintenance on the equipment. Failure to follow instructions in this manual can cause property damage, injury or death.
- Routine adjustments and maintenance procedures outlined in this manual are not covered by the warranty.
- Proper installation, care and maintenance are essential for maximum performance and trouble-free operation of your equipment.
- Visit our website www.kool-aire.com for manual updates, translations, or contact information for service agents in your area.
- This equipment contains high voltage electricity and refrigerant charge. Installation and repairs are to be performed by properly trained technicians aware of the dangers of dealing with high voltage electricity and refrigerant under pressure. The technician must also be certified in proper refrigerant handling and servicing procedures. All lockout and tag out procedures must be followed when working on this equipment.
- This equipment is intended for indoor use only. Do not install or operate this equipment in outdoor areas.
- As you work on this equipment, be sure to pay close attention to the safety notices in this handbook. Disregarding the notices may lead to serious injury and/or damage to the equipment.

Definitions

DANGER

Indicates a hazardous situation that, if not avoided, will result in death or serious injury. This applies to the most extreme situations.

Warning

Indicates a hazardous situation that, if not avoided, could result in death or serious injury.

Caution

Indicates a hazardous situation that, if not avoided, could result in minor or moderate injury.

Notice

Indicates information considered important, but not hazard-related (e.g. messages relating to property damage)

NOTE: Indicates useful, extra information about the procedure you are performing.

Warning

Follow these electrical requirements during installation of this equipment.

- All field wiring must conform to all applicable codes of the authority having jurisdiction. It is the responsibility of the end user to provide the disconnect means to satisfy local codes. Refer to rating plate for proper voltage.
- This appliance must be grounded.
- This equipment must be positioned so that the plug is accessible unless other means for disconnection from the power supply (e.g., circuit breaker or disconnect switch) is provided.
- Check all wiring connections, including factory terminals, before operation. Connections can become loose during shipment and installation.

Warning

Follow these precautions to prevent personal injury during installation of this equipment:

- Installation must comply with all applicable equipment fire and health codes with the authority having jurisdiction.
- Connect to a potable water supply only.
- To avoid instability the installation area must be capable of supporting the combined weight of the equipment and product. Additionally the equipment must be level side to side and front to back.
- Remove all removable panels before lifting and installing and use appropriate safety equipment during installation and servicing. Two or more people are required to lift or move this appliance to prevent tipping and/or injury.
- Do not damage the refrigeration circuit when installing, maintaining or servicing the unit.
- This equipment contains refrigerant charge. Installation of the line sets must be performed by a properly trained and EPA certified refrigeration technician aware of the dangers of dealing with refrigerant charged equipment.
- Ice machines require a deflector when installed on an ice storage bin. Prior to using a non-OEM ice storage system with this ice machine, contact the bin manufacturer to assure their ice deflector is compatible.
- Prior to installing a non-OEM ice storage system with this ice machine, follow the manufacturers installation procedures and verify the location and installation meets the local/national mechanical codes and stability requirements.

Warning

Follow these precautions to prevent personal injury while operating or maintaining this equipment.

- Refer to nameplate to identify the type of refrigerant in your equipment.
- Only trained and qualified personnel aware of the dangers are allowed to work on the equipment.
- Read this manual thoroughly before operating, installing or performing maintenance on the equipment. Failure to follow instructions in this manual can cause property damage, injury or death.
- Crush/Pinch Hazard. Keep hands clear of moving components. Components can move without warning unless power is disconnected and all potential energy is removed.
- Moisture collecting on the floor will create a slippery surface. Clean up any water on the floor immediately to prevent a slip hazard.
- Never use sharp objects or tools to remove ice or frost. Do not use mechanical devices or other means to accelerate the defrosting process.
- When using cleaning fluids or chemicals, rubber gloves and eye protection (and/or face shield) must be worn.

Warning

Follow these precautions to prevent personal injury while operating or maintaining this equipment.

- Objects placed or dropped in the bin can affect human health and safety. Locate and remove any objects immediately.
- Never use sharp objects or tools to remove ice or frost.
- Do not use mechanical devices or other means to accelerate the defrosting process.
- When using cleaning fluids or chemicals, rubber gloves and eye protection (and/or face shield) must be worn.

DANGER

Do not operate equipment that has been misused, abused, neglected, damaged, or altered/modified from that of original manufactured specifications. This appliance is not intended for use by persons (including children) with reduced physical, sensory or mental capabilities, or lack of experience and knowledge, unless they have been given supervision concerning use of the appliance by a person responsible for their safety. Do not allow children to play with, clean or maintain this appliance without proper supervision.

Warning

Follow these precautions to prevent personal injury during use and maintenance of this equipment:

- It is the responsibility of the equipment owner to perform a Personal Protective Equipment Hazard Assessment to ensure adequate protection during maintenance procedures.
- Do Not Store Or Use Gasoline Or Other Flammable Vapors Or Liquids In The Vicinity Of This Or Any Other Appliance. Never use flammable oil soaked cloths or combustible cleaning solutions for cleaning.
- All covers and access panels must be in place and properly secured when operating this equipment.
- Risk of fire/shock. All minimum clearances must be maintained. Do not obstruct vents or openings.
- Failure to disconnect power at the main power supply disconnect could result in serious injury or death. The power switch DOES NOT disconnect all incoming power.
- All utility connections and fixtures must be maintained in accordance with the authority having jurisdiction.
- Turn off and lockout all utilities (gas, electric, water) according to approved practices during maintenance or servicing.

Warning

Follow these precautions to prevent personal injury during use and maintenance of this equipment:

- Units with two power cords must be plugged into individual branch circuits. During movement, cleaning or repair it is necessary to unplug both power cords.
- Never use a high-pressure water jet for cleaning on the interior or exterior of this unit. Do not use power cleaning equipment, steel wool, scrapers or wire brushes on stainless steel or painted surfaces.
- Two or more people are required to move this equipment to prevent tipping.
- Locking the front casters after moving is the owner's and operator's responsibility. When casters are installed, the mass of this unit will allow it to move uncontrolled on an inclined surface. These units must be tethered/secured to comply with all applicable codes.
- The on-site supervisor is responsible for ensuring that operators are made aware of the inherent dangers of operating this equipment.
- Do not operate any appliance with a damaged cord or plug. All repairs must be performed by a qualified service company.

Table of Contents - Modular

<i>Koolaire UnderCounter Cover</i>	205
--	------------

<i>Table of Contents - UnderCounter</i>	213
---	------------

Safety Notices	5
-----------------------------	----------

Definitions	6
-------------------	----------

General Information

Model Numbers	19
----------------------------	-----------

KT Models	19
-----------------	-----------

K Models	19
----------------	-----------

Ice Machine Warranty Information	20
---	-----------

Warranty	20
-----------------------	-----------

Warranty Registration	20
------------------------------------	-----------

How to Read a Model Number	21
---	-----------

Installation

Location of Ice Machine	23
--------------------------------------	-----------

Ice Machine Clearance Requirements	24
---	-----------

Ice Machine Heat of Rejection	25
--	-----------

Leveling the Ice Machine	26
---------------------------------------	-----------

Electrical Requirements	27
--------------------------------------	-----------

Water Service/Drains	28
-----------------------------------	-----------

Water Supply	28
--------------------	-----------

Water Inlet Lines	28
-------------------------	-----------

Drain Connections	29
-------------------------	-----------

Cooling Tower Applications	29
----------------------------------	-----------

Water Supply and Drain Line

Sizing/Connections	30
--------------------------	-----------

Remote Condenser KT Models	31
----------------------------------	-----------

Remote Condenser K Models	32
---------------------------------	-----------

Maintenance

De-scaling and Sanitizing	37
General.	37
Detailed De-scaling and Sanitizing Procedure.	38
Toggle Switch Operation.	38
Remove Parts for De-scaling.	42
Remedial Cleaning Procedure	44
Ice Machine Inspection	45
Cleaning the Condenser	46
Removal from Service/Winterization	47
Air-Cooled Models.	47
Water-Cooled Models.	47

Operation

Ice Making Sequence of Operation	49
Control Board Timers	50
Safety Limits.	51
Energized Parts Chart	53
Operational Checks	55
Ice Thickness Check.	55
Minimum/Maximum Slab Weights	56

Troubleshooting

Safety Limits	57
Safety Limit 1	57
Safety Limit 2	57
Safety Limit 3	58
Safety Limit Checklist	60
Control Board Test Mode	64
Diagnosing an Ice Machine that Will Not Run	65
Troubleshooting By Symptom	66
Symptom #1 - Self-Contained Air, Water-Cooled Traditional Remote	67
#2 - Low Production, Long Freeze Cycle	69
Symptom #2 - Refrigeration Component Diagnostic Chart	71
Symptom #3 - Remote Condenser	100
Symptom #3 - Self-Contained Air Or Water-Cooled.	102
Symptom #4.	104

Component Check Procedures

Main Fuse	107
Bin Switch	108
Float Switch	110
Compressor Electrical Diagnostics	112
Fan Cycle Control	116
High Pressure Cutout (HPCO) Control	117
Refrigeration Components	118
Head Pressure Control Valve	118
Freeze Cycle Operation All Models	119
Harvest Cycle Operation	119
Harvest Pressure Regulating Valve (HPR)	
System Remote Condenser Only	122
Water Regulating Valve	125
Refrigerant Recovery/Evacuation	126
Definitions	126
Refrigerant Re-use Policy	127
Recovery and Recharging Procedures	129
Remote Condenser Model Procedure	133
Remote Charging Procedures	135
System Contamination Cleanup	136
Determining Severity of Contamination	136
Cleanup Procedure	138
Severe System Contamination Cleanup	
Procedure	139
Liquid Line Filter Driers	140
Replacing Pressure Controls without	
Removing Refrigerant Charge	141
Refrigerant Amount	142
KT Models	142
K Models	143

Charts

Cycle Times, 24 Hr. Ice Production and Refrigerant

Pressure Charts	145
K0250A Self-Contained Air-Cooled	146
KT0300A Self-Contained Air-Cooled	147
K0350A Self-Contained Air-Cooled	148
K0350W Self-Contained Water-Cooled	149
KT0400A Self-Contained Air-Cooled	150
KT0400W Self-Contained Water-Cooled ...	151
K0420A Self-Contained Air-Cooled	152
K0420W Self-Contained Water-Cooled	153
KT0420A Self-Contained Air-Cooled	154
KT0420W Self-Contained Water-Cooled ...	155
K0500A Self-Contained Air-Cooled	156
K0500W Self-Contained Water-Cooled	157
KT0500A Self-Contained Air-Cooled	158
KT0500W Self-Contained Water-Cooled ...	159
K0600A Self-Contained Air-Cooled	160
K0600W Self-Contained Water-Cooled	161
KT0700A Self-Contained Air-Cooled	162
KT0700W Self-Contained Water-Cooled ...	163
K1000A Self-Contained Air-Cooled	164
K1000W Self-Contained Water-Cooled	165
K1000N Remote Air-Cooled	166
KT1000A Self-Contained Air-Cooled	167
KT1000W Self-Contained Water-Cooled ...	168
KT1000N Remote Air-Cooled	169
K1350A Self-Contained Air-Cooled	170
K1350W Self-Contained Water-Cooled	171
K1350N Remote Air-Cooled	172
KT1700A Self-Contained Air-Cooled	173
KT1700W Self-Contained Water-Cooled ...	174
KT1700N Remote Air-Cooled	175
K1800A Self-Contained Air-Cooled	176
K1800N Remote Air-Cooled	177

Diagrams

Wiring Diagrams	179
K0250, KT0300, K0350, KT400, K0420, KT0420, K0500, K0600, KT0700, K1000, KT1000 Without PTCR 1 Ph Self-Contained Air/Water-Cooled	180
K0250, KT0300, K0350, KT400, K0420, KT0420, K0500, KT0500, KT0700, K1000, KT1000 With PTCR 1 Ph Self-Contained Air/Water-Cooled	182
K1000, KT1000 1Ph Remote Air-Cooled Condenser Air/Water-Cooled	184
K1350, KT1700, K1800 1 Ph Self-Contained Air/Water-Cooled	186
K1350, KT1700, K1800 3 Ph Self-Contained Air/Water-Cooled	188
K1350, KT1700, K1800 1Ph Remote Air-Cooled Condenser	190
K1350, KT1700, K1800 3 Ph Remote Air-Cooled Condenser	192
Electronic Control Board	194
KT Models	194
K Models	196
Refrigeration Tubing Schematics	198
K1000, KT1000 Self-Contained Air or Water-Cooled	199
K1350, KT1700, K1800 Self-Contained Air or Water-Cooled	200
K1000, KT1000 Remote Air-Cooled Condenser	201
K1350, KT1700, K1800 Remote Air-Cooled Condenser	202

THIS PAGE INTENTIONALLY LEFT BLANK

General Information

Model Numbers

This manual covers the following models:

KT MODELS

Self-Contained Air-Cooled	Self-Contained Water-Cooled	Remote
KDT0300A	----	----
KYT0300A	----	----
KDT0400A	KDT0400W	----
KYT0400A	KYT0400W	----
KDT0420A	KDT0420W	----
KYT0420A	KYT0420W	----
KDT0500A	KDT0500W	----
KYT0500A	KYT0500W	----
KDT0700A	KDT0700W	----
KYT0700A	KYT0700W	----
KDT1000A	KDT1000W	KDT1000N
KYT1000A	KYT1000W	KYT1000N
KDT1700A	KDT1700W	KYT1700N
KYT1700A	KYT1700W	KDT1700N

K MODELS

Self-Contained Air-Cooled	Self-Contained Water-Cooled	Remote
KD0250A	----	----
KY0250A	----	----
KD0350A	KD0350W	----
KY0350A	KY0350W	----
KD0420A	KD0420W	----
KY0420A	KY0420W	----
KD0500A	KD0500W	----
KY0500A	KY0500W	----
KD0600A	KD0600W	----
KY0600A	KY0600W	----
KD1000A	KD1000W	KY1000N
KY1000A	KY1000W	KD1000N
KD1350A	KD1350W	KY1350N
KY1350A	KY1350W	KD1350N
KD1800A	KD1800W	KY1800N
KY1800A	KY1800W	KD1800N

Ice Machine Warranty Information

Warranty

For warranty information visit:

www.kool-aire.com/Service/Warranty

- Warranty Coverage Information
- Warranty Registration
- Warranty Verification

Warranty coverage begins the day the ice machine is installed.

Warranty Registration

Completing the warranty registration process is a quick and easy way to protect your investment.

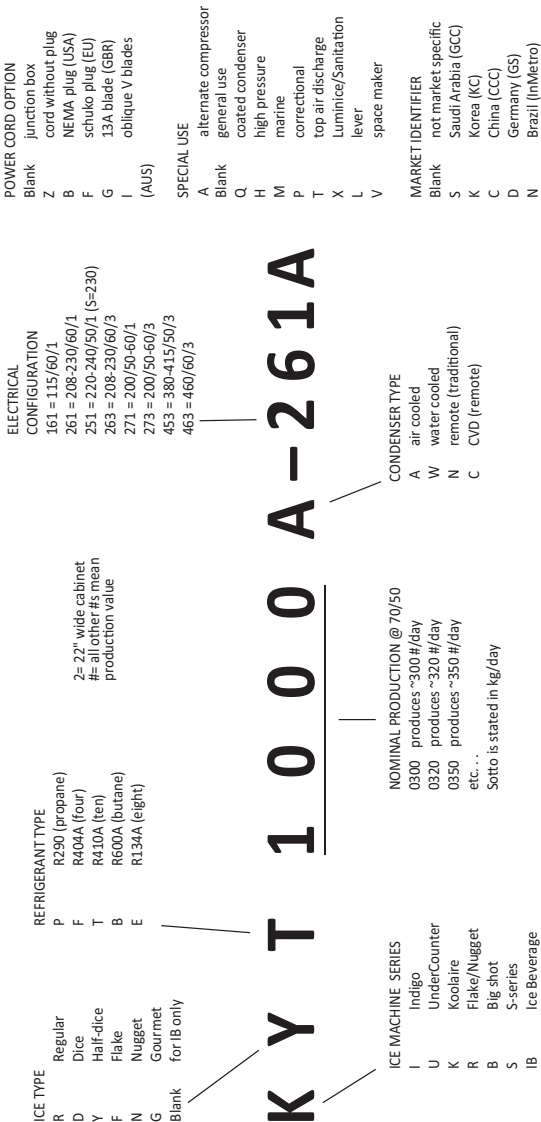
Scan the QR code with your smart device or enter the link in a web browser to complete your warranty registration.



www.kool-aire.com/Service/Warranty

Registering your product insures warranty coverage and streamlines the process if any warranty work is required.

How to Read a Model Number



THIS PAGE INTENTIONALLY LEFT BLANK

Installation

Location of Ice Machine

The location selected for the ice machine must meet the following criteria. If any of these criteria are not met, select another location.

- The location must be indoors.
- The location must be free of airborne and other contaminants.
- Air temperature: Must be at least 40°F (4°C) but must not exceed 110°F (43.4°C).
- The location must not be near heat-generating equipment or in direct sunlight.
- The location must be capable of supporting the weight of the ice machine and a full bin of ice.
- The location must allow enough clearance for water, drain, and electrical connections in the rear of the ice machine.
- The location must not obstruct airflow through or around the ice machine (condenser air flow is in the back and out the sides). Refer to the chart for clearance requirements.
- The ice machine must be protected if it will be subjected to temperatures below 32°F (0°C). Failure caused by exposure to freezing temperatures is not covered by the warranty.

Ice Machine Clearance Requirements

Warning

Do not obstruct ice machine vents or openings.

KT0300	Self-Contained Air-Cooled	Self-Contained Water-Cooled
Top/Sides	12" (30.5 cm)	n/a
Back	5" (12.7 cm)*	n/a

KT0400 - KT0420 KT0500 - KT0700 KT1000 - KT1700	Self-Contained Air-Cooled	Water-Cooled and Remote
Top/Sides	8" (20.3 cm)	8" (20.3 cm)
Back	5" (12.7 cm)	5" (12.7 cm)

K0250	Self-Contained Air-Cooled	Self-Contained Water-Cooled
Top/Sides	12" (30.5 cm)	n/a
Back	5" (12.7 cm)*	n/a

K0350 - K0420 K0500 - K0600 K1000 - K1350 K1800	Self-Contained Air-Cooled	Water-Cooled and Remote
Top/Sides	8" (20.3 cm)	8" (20.3 cm)
Back	5" (12.7 cm)	5" (12.7 cm)

Caution

The ice machine must be protected if it will be subjected to temperatures below 32°F (0°C). Failure caused by exposure to freezing temperatures is not covered by the warranty.

Ice Machine Heat of Rejection

Series Ice Machine	Heat of Rejection ¹	
	Air Conditioning ²	Peak
KT0300	4600	5450
KT0400	3800	6000
KT0420	5400	6300
KT0500	5300	6100
KT0700	12400	13900
KT1000 60 Hz	15400	17100
KT1000 50 Hz	14600	16200
KT1700	24700	29000

Series Ice Machine	Heat of Rejection ¹	
	Air Conditioning ²	Peak
K0250	4600	5450
K0350	3800	6000
K0420	5400	6300
K0500	5300	6100
K0600	9000	13900
K1000	17000	20700
K1350	23900	29000
K1800	29800	34700
1 BTU/Hour		
2 Because the heat of rejection varies during the ice making cycle, the figure shown is an average.		

Ice machines, like other refrigeration equipment, reject heat through the condenser. It is helpful to know the amount of heat rejected by the ice machine when sizing air conditioning equipment where self-contained air-cooled ice machines are installed.

Leveling the Ice Machine

1. The leveling legs must be screwed into the bottom of the bin as far as possible.

 **Caution**

The legs must be screwed in tightly to prevent them from bending.

2. Move the bin into its final position.
3. Use a level on top of the bin. Adjust each foot as necessary and level from front to back and side to side.

Electrical Requirements

Voltage

The maximum allowable voltage variation is $\pm 10\%$ of the rated voltage on the ice machine model/serial number plate at start-up (when the electrical load is highest).

Fuse/Circuit Breaker

A separate fuse/circuit breaker must be provided for each ice machine.

Total Circuit Ampacity

The total circuit ampacity is used to help select the wire size of the electrical supply.

The wire size (or gauge) is also dependent upon location, materials used, length of run, etc., so it must be determined by a qualified electrician.

Refer to ice machine data plate, for electrical requirements. The ice machine data plate information overrides all other published data.

Warning

All wiring must conform to local, state and national codes.

Warning

The ice machine must be grounded in accordance with national and local electrical code.

Water Service/Drains

WATER SUPPLY

Local water conditions may require treatment of the water to inhibit scale formation, filter sediment, and remove chlorine odor and taste.

Important

If you are installing a water filter system, refer to the Installation Instructions supplied with the filter system for ice making water inlet connections.

⚠ Warning

For ice making, connect to a potable water supply only.

WATER INLET LINES

Follow these guidelines to install water inlet lines:

- Do not connect the ice machine to a hot water supply. Be sure all hot water restrictors installed for other equipment are working. (Check valves on sink faucets, dishwashers, etc.)
- If water pressure exceeds the maximum recommended pressure, 80 psig (5.5 bar) obtain a water pressure regulator from your Koolaire distributor.
- Install a water shut-off valve for ice making potable water.
- Insulate water inlet lines to prevent condensation.

DRAIN CONNECTIONS

Follow these guidelines when installing drain lines to prevent drain water from flowing back into the ice machine and storage bin:

- Drain lines must have a 1.5-inch drop per 5 feet of run (2.5 cm per meter), and must not create traps.
- The floor drain must be large enough to accommodate drainage from all drains.
- Install a tee to vent the ice machine drain to the atmosphere.
- Insulate drain lines to prevent condensation.

COOLING TOWER APPLICATIONS

Water Cooled Models Only

A water-cooling tower installation does not require modification of the ice machine. The water regulator valve for the condenser continues to control the refrigeration discharge pressure.

It is necessary to know the amount of heat rejected, and the pressure drop through the condenser and water valves (inlet to outlet) when using a cooling tower on an ice machine.

- Water entering the condenser must not exceed 90°F (32.2°C).
- Water flow through the condenser must not exceed 5 gallons (19 liters) per minute.
- Allow for a pressure drop of 7 psig (.48 bar) between the condenser water inlet and the outlet of the ice machine.
- Water exiting the condenser must not exceed 110°F (43.3°C).

 **Caution**

Plumbing must conform to state and local codes

WATER SUPPLY AND DRAIN LINE SIZING/ CONNECTIONS

Location	Water Temperature	Water Pressure	Ice Machine Fitting	Tubing Size Up to Ice Machine Fitting
Ice Making Water Inlet	33°F (0.6°C) min. 90°F (32.2°C) max.	20 psi (1.38 bar) min. 80 psi (5.5 bar) max.	3/8" Female Pipe Thread	3/8" (9.5 mm) min. inside diameter
Condenser Water Inlet	33°F (0.6°C) min. 90°F (32.2°C) max.	20 psi (1.38 bar) min. 275 psi (19 bar) max.	1/2" Female Pipe Thread	3/8" (9.5 mm) min. inside diameter
Condenser Water Drain	—	—	1/2" Female Pipe Thread	1/2" (12 mm) min. inside diameter

REMOTE CONDENSER KT MODELS

Ice Machine	Remote Single Circuit Condenser	Line Set*
KT1000	JCT1200	RT-20R-R410A RT-35R-R410A RT-50R-R410A
KT1700	JCT1500	RL-20R-R410A RL-35R-R410A RL-50R-R410A

*Line Set	Discharge Line	Liquid Line
RT	1/2" (1.27 cm)	5/16" (0.79 cm)
RL	1/2" (1.27 cm)	3/8" (0.95 cm)

NOTE: All line sets must be insulated with 1/4" wall thickness Armaflex.

Air Temperature Around the Condenser	
Minimum	Maximum
-20°F (-29°C)	120°F (49°C)

Notice

Condensers must be mounted horizontally with the fan motor on top with nothing obstructing it. There must be at least a 16" (41 cm) clearance from the bottom for air intake.

Additional Refrigerant Charge For 51' to 100' Line Sets

Ice Machine	Condenser	Additional Amount of Refrigerant To Be Added To The Nameplate Charge
KT1000	JCT1200	2 lbs - 907g
KT1700	JCT1500	2 lbs - 907g

REMOTE CONDENSER K MODELS

Ice Machine	Remote Single Circuit Condenser	Line Set*
K1000	KC1000	RTK-20-R410A RTK-35-R410A RTK-50-R410A
K1350 K1800	KC1350	RLK-20-R410A RLK-35-R410A RLK-50-R410A

*Line Set	Discharge Line	Liquid Line
RTK	1/2" (1.27 cm)	5/16" (0.79 cm)
RLK	1/2" (1.27 cm)	3/8" (0.95 cm)

NOTE: All line sets must be insulated with 1/4" wall thickness Armaflex.

Air Temperature Around the Condenser	
Minimum	Maximum
-20°F (-29°C)	120°F (49°C)

Notice

Condensers must be mounted horizontally with the fan motor on top with nothing obstructing it. There must be at least a 16" (41 cm) clearance from the bottom for air intake.

Additional Refrigerant Charge For 51' to 100' Line Sets

Ice Machine	Condenser	Additional Amount of Refrigerant To Be Added To The Nameplate Charge
K1000	KC1000	2 lbs - 907g
K1350 K1800	KC1350	2 lbs - 907g 2 lbs - 907g

Calculating Allowable Lineset Distance

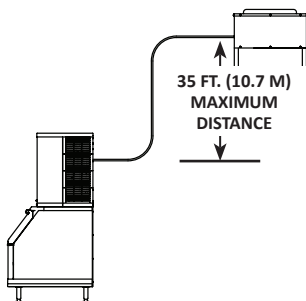
Line Set Length

The maximum length is 100' (30.5 m).

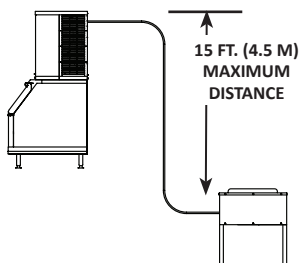
Line Set Rise/Drop

The maximum rise is 35' (10.7 m).

The maximum drop is 15' (4.5 m).



35 ft. (10.7 m) Rise: The maximum distance the Condenser or Condensing Unit can be above the ice machine.



15 ft. (4.5 m) Drop: The maximum distance the Condenser or Condensing Unit can be below the ice machine.

Calculated Line Set Distance

The maximum calculated distance is 150' (45.7 m).

Line set rises, drops, horizontal runs (or combinations of these) in excess of the stated maximums will exceed compressor start-up and design limits. This will cause poor oil return to the compressor.

Make the following calculations to make sure the line set layout is within specifications.

1. Insert the **measured rise** into the formula below. Multiply by 1.7 to get the calculated rise. (Example: A condenser located 10 feet above the ice machine has a **calculated rise** of 17 feet.)
2. Insert the **measured drop** into the formula below. Multiply by 6.6 to get the calculated drop. (Example. A condenser located 10 feet below the ice machine has a **calculated drop** of 66 feet.)
3. Insert the **measured horizontal distance** into the formula below. No calculation is necessary.
4. Add together the **calculated rise, calculated drop, and horizontal distance** to get the **total calculated distance**. If this total exceeds 150' (45.7 m), move the condenser to a new location and perform the calculations again.

Maximum Line Set Distance Formula

Step 1

Measured Rise ____ X 1.7 = ____ Calculated Rise
(35 ft. Max)

Step 2

Measured Drop ____ X 6.6 = ____ Calculated Drop
(15 ft. Max.)

Step 3

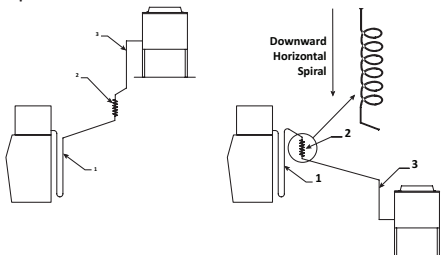
Measured Horizontal Distance = ____ Horizontal
(100 ft. Max.) Distance

Step 4

Total Calculated Distance = ____ Total Calculated
(150 ft. Max.) Distance

Follow these guidelines when routing the refrigerant lines. This will help ensure proper performance and service accessibility.

1. Optional - Make the service loop in the line sets (as shown in Routing Line Sets graphic). This permits easy access to the ice machine for cleaning and service. Do not use hard rigid copper at this location.
2. Required - Do not form traps in the refrigeration lines (except the service loop). Refrigerant oil must be free to drain toward the ice machine or the condenser. Route excess tubing in a supported downward horizontal spiral (as shown below). Do not coil tubing vertically.
3. Required - Keep outdoor refrigerant line runs as short as possible.



THIS PAGE INTENTIONALLY LEFT BLANK

Maintenance

De-scaling and Sanitizing

GENERAL

De-scale and sanitize the ice machine every six months for efficient operation. If the ice machine requires more frequent de-scaling and sanitizing, consult a qualified service company to test the water quality and recommend appropriate water treatment.

The ice machine must be taken apart for de-scaling and sanitizing.

Caution

Use only Manitowoc Ice Machine De-scaler (part number 9405463) and Sanitizer (part number 9405653). It is a violation of Federal law to use these solutions in a manner inconsistent with their labeling. Read and understand all labels printed on bottles before use.

DETAILED DE-SCALING AND SANITIZING PROCEDURE

Ice machine de-scaler is used to remove lime scale and mineral deposits. Ice machine sanitizer disinfects and removes algae and slime.

TOGGLE SWITCH OPERATION

Moving the toggle switch to clean will start a Clean cycle.

- **Setting the ice machine to stop after the clean cycle:** Place the toggle switch in the clean position. The ice machine will stop after the clean cycle.
- **Pausing the cleaning cycle:** Move the toggle switch to Off. Moving the toggle switch to clean will restart the clean cycle.
- **Setting the ice machine to start ice making after the clean cycle:** Place the toggle switch in the Ice position more than 2 minutes into the clean cycle.

Step 1 Place the toggle switch in the clean position after ice falls from the evaporator at the end of a Harvest cycle. Or, place the toggle switch in the off position and allow the ice to melt off the evaporator.

Caution

Never use anything to force ice from the evaporator. Damage may result.

Step 2 Remove all ice from the bin.

Warning

Wear rubber gloves and safety goggles (and/or face shield) when handling Ice Machine De-scaler or Sanitizer.

 **Caution**

Do not mix Ice Machine De-scaler and Sanitizer solutions together. It is a violation of Federal law to use these solutions in a manner inconsistent with their labeling.

Step 3 To start a de-scaling cycle, move the toggle switch to Clean. Water will flow through the water dump valve and down the drain. Wait until the water trough refills, then add the proper amount of ice machine de-scaler to the water trough.

Model	Amount of De-scaler
K0250 KT0300 K0350 KT0400 KT0420 K0420	3 ounces (90 ml)
KT0500 K0500 K0600 KT0700 KT1000 K1000	5 ounces (150 ml)
K1350 KT1700 K1800	9 ounces (265 ml)

Step 4 Wait until the cycle is complete (approximately 24 minutes) then place the toggle switch in the off position and disconnect power and water supplies to the ice machine.

Step 5 Remove parts for de-scaling. Refer to the proper parts removal for your machine. Continue with Step 6 when the parts have been removed.

Step 6 Mix a solution of de-scaler and lukewarm water. Depending on the amount of mineral buildup, a larger quantity of solution may be required. Use the ratio in the table below to mix enough solution to thoroughly de-scale all parts.

Solution Type	Water	Mixed with
De-scaler	1 gal. (4 l)	16 oz (500 ml) de-scaler

Step 7 Use half of the de-scaler & water solution to de-scale all components. The solution will foam when it contacts lime scale and mineral deposits; once the foaming stops use a soft bristle brush, sponge or cloth (not a wire brush) to carefully de-scale the parts. Soak the parts for 5 minutes (15 – 20 minutes for heavily scaled parts). Rinse all components with clean water.

Step 8 While components are soaking, use half of the de-scaler & water solution to clean all foodzone surfaces of the ice machine and bin. Use a nylon brush or cloth to thoroughly clean the following ice machine areas:

- Evaporator plastic parts – including top, bottom and sides
- Bin bottom, sides and top
- Rinse all areas thoroughly with clean water.

Step 9 Mix a solution of sanitizer and warm water.

Solution Type	Water	Mixed With
Sanitizer	3 gal. (12 l)	2 oz (60 ml) sanitizer

Step 10 Use half of the sanitizer/water solution to sanitize all removed components. Use a spray bottle to liberally apply the solution to all surfaces of the removed parts or soak the removed parts in the sanitizer/water solution. Do not rinse parts after sanitizing.

Step 11 Use half of the sanitizer/water solution to sanitize all foodzone surfaces of the ice machine and bin. Use a spray bottle to liberally apply the solution. When sanitizing, pay particular attention to the following areas:

- Evaporator plastic parts - including top, bottom and sides
- Bin bottom, sides and top

Do not rinse the sanitized areas.

Step 12 Replace all removed components.

Step 13 Wait 25 minutes.

Step 14 Reapply power and water to the ice machine and place the toggle switch in the ice position.

Step 15 Water will flow through the water dump valve and down the drain. Wait until the water trough refills, then add the proper amount of ice machine sanitizer to the water trough.

Model	Amount of Sanitizer
K0250 KT0300 K0350 KT0400 KT0420 K0420 KT0500 K0500 K0600 KT0700 KT1000 K1000	3 ounces (90 ml)
K1350 KT1700 K1800	6 ounces (180 ml)

Wait until the sanitize cycle is complete (approximately 24 minutes) then place the toggle switch in the ice position to start ice making.

REMOVE PARTS FOR DE-SCALING

Warning

Disconnect electric power to the ice machine at the electric switch box before proceeding.

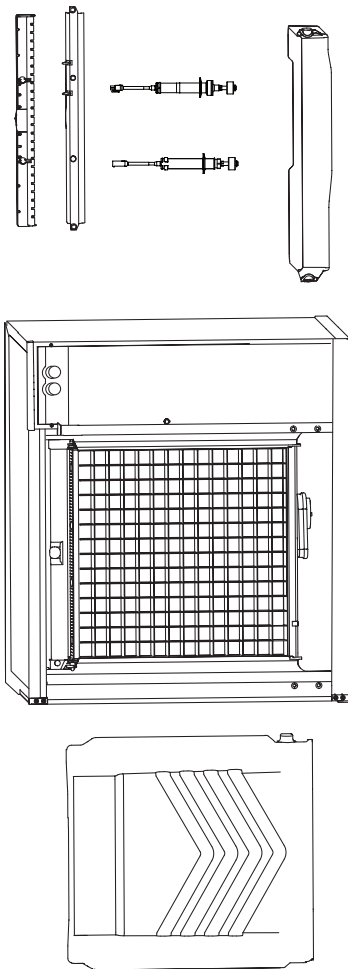
1. Remove the water curtain
 - Gently flex the curtain in the center and remove it from the right side.
 - Slide the left pin out.
2. Remove the water trough
 - Depress tabs on right and left side of the water trough.
 - Allow front of water trough to drop as you pull forward to disengage the rear pins.
3. Remove the ice thickness and harvest float switches
 - Pull the float switch straight down to disengage.
 - Lower the float switch until the wiring connector is visible.
 - Disconnect the wire lead from the float switch.
 - Remove the float switch from the ice machine.
4. Remove the water distribution tube.

NOTE: Distribution tube thumbscrews are retained to prevent loss. Loosen thumbscrews but do not pull thumbscrews out of distribution tube.

- Loosen the two outer screws (do not remove screws completely they are retained to prevent loss) and pull forward on the distribution tube to release from slip joint.
- Disassemble distribution tube by loosening the two middle thumbscrews and dividing the distribution tube into two pieces.
- Proceed to page 40 Step 6.

5. Remove the Water Trough

- Depress tabs on right and left side of the water trough.
- Allow front of water trough to drop as you pull forward to disengage the rear pins.
- Remove the water trough from the bin area.



Remedial Cleaning Procedure

This procedure can be performed between the bi-annual detailed de-scaling and sanitizing procedure. This procedure does not require removing the ice from the bin.

Step 1 Place the toggle switch in the off position after ice falls from the evaporator at the end of a Harvest cycle. Or, place the toggle switch in the off position and allow the ice to melt off the evaporator.

Caution

Never use anything to force ice from the evaporator. Damage may result.

Warning

Wear rubber gloves and safety goggles (and/or face shield) when handling Ice Machine De-scaler or Sanitizer.

Step 2 To start a remedial cleaning cycle, place the toggle switch in the clean position. Water will flow through the water dump valve and down the drain. Wait until the water trough refills, then add the proper amount of ice machine de-scaler to the water trough.

Model	Amount of De-scaler
K0250 KT0300 K0350 KT0400 KT0420 K0420	3 ounces (90 ml)
KT0500 K0500 K0600 KT0700 KT1000 K1000	5 ounces (150 ml)
K1350 KT1700 K1800	9 ounces (265 ml)

Step 3 Wait until the cycle is complete (approximately 24 minutes) then place the toggle switch in the off position.

Ice Machine Inspection

Check all water fittings and lines for leaks. Also, make sure the refrigeration tubing is not rubbing or vibrating against other tubing, panels, etc.

There must be adequate airflow through and around the ice machine to maximize ice production and ensure long component life.

Exterior Cleaning

Clean the area around the ice machine as often as necessary to maintain cleanliness and efficient operation.

Sponge any dust and dirt off the outside of the ice machine with mild soap and water. Wipe dry with a clean, soft cloth.

Cleanup any fallen ice or water spills as they occur.

Cleaning the Condenser

General

Warning

Disconnect electric power to the ice machine head section and the remote condensing unit at the electric service switches before cleaning the condenser.

A dirty condenser restricts airflow, resulting in excessively high operating temperatures. This reduces ice production and shortens component life.

- Clean the condenser at least every six months.

Warning

The condenser fins are sharp. Use care when cleaning them.

- Shine a flashlight through the condenser to check for dirt between the fins.
- Blow compressed air or rinse with water from the inside out (opposite direction of airflow).
- If dirt still remains call a service agent to clean the condenser.

Removal from Service/Winterization

AIR-COOLED MODELS

1. De-scale and sanitize the ice machine.
2. Place the toggle switch in the off position to turn off the ice machine.
3. Turn off the water supply, disconnect and drain the incoming ice-making water line at the rear of the ice machine and drain the water trough.
4. Energize the ice machine, wait one minute for the water inlet valve to open and blow compressed air in both the incoming water and the drain openings in the rear of the ice machine to remove all water.
5. Place the toggle switch in the off position and disconnect the electric power at the circuit breaker or the electric service switch.
6. Fill spray bottle with sanitizer and spray all interior food zone surfaces. Do not rinse and allow to air dry.
7. Replace all panels.

WATER-COOLED MODELS

1. Perform Steps 1 – 6 under “Air-Cooled Models.”
2. Disconnect the incoming water and drain line from the water-cooled condenser.
3. Energize the ice machine in the freeze cycle. The increasing refrigerant pressure will open the water regulating valve.
4. Blow compressed air through the condenser until no water remains.

THIS PAGE INTENTIONALLY LEFT BLANK

Operation

Ice Making Sequence of Operation

NOTE: The toggle switch must be in the ICE position and the water curtain must be closed before the ice machine will start.

Water Purge Cycle

The ice machine purges any remaining water from the water trough down the drain.

Freeze Cycle

Prechill - The refrigeration system chills the evaporator before water flow over the evaporator starts. The water inlet valve energizes during the pre-chill and remains on until the ice thickness float switch is satisfied.

Freeze - Water flowing across the evaporator freezes and builds ice on the evaporator. After a sheet of ice has formed, the Harvest float switch signals the control board to start a harvest cycle.

Harvest Cycle

Any remaining water is purged down the drain as refrigerant gas warms the evaporator. When the evaporator warms, the sheet of cubes slides off the evaporator and into the storage bin. If all cubes fall clear of the water curtain, the ice machine starts another freeze cycle.

Full Bin Cycle

If the water curtain is held open by ice cubes the ice machine shuts off. When the water curtain closes the ice machine starts a new cycle at the water purge.

CONTROL BOARD TIMERS

- The ice machine is locked into the freeze cycle for 6 minutes before a harvest cycle can be initiated.
- The freeze time lock in feature is bypassed on the initial cycle (manual start or after a full bin/safety limit condition).
- If the harvest float switch is in the down position for 10 continuous seconds during the start of an initial freeze cycle, a harvest sequence is initiated. If the harvest float is in the down position in subsequent cycles a safety limit 3 cycle is initiated.
- The maximum freeze time is 35 minutes (60 minutes prior to software revision 3.2) at which time the control board automatically initiates a harvest sequence.
- The maximum harvest time is 3.5 minutes (software revision 3.2 and later, also added the 7 minute max harvest, with water assist after 3.5 minutes. SL#2 will shut down after 100 cycles). The control board automatically initiates a freeze sequence when these times are exceeded.
- The ice machine will continue to fill with water for up to six minutes, or until the high water float opens for 5 continuous seconds. The control board will energize the water inlet valve one more time 3 minutes into the freeze cycle.

SAFETY LIMITS

Safety limits are stored and indicated by the control board. The number of cycles required to stop the ice machine varies for each safety limit.

Safety limits can be reset by cycling the toggle switch Off/On and starting a new ice making cycle.

A safety limit is indicated by a flashing light on the control board.

Safety Limit 1

Software revision 3.2 and later:

If the freeze time reaches 35 minutes, the control board automatically initiates a harvest cycle.

- After 3 consecutive 35 minute cycles control board light SL#1 light will flash on/off at 1 second intervals.
- If 6 consecutive 35-minute freeze cycles occur, the ice machine stops and the SL#1 light on the control board will be on continuously.

NOTE: Prior to control board software revision 3.2 the maximum freeze time is 60 minutes rather than 35 minutes.

Safety Limit 2

If the harvest time reaches 3.5 minutes, the control board automatically returns the ice machine to the freeze cycle (software revision 3.2 and later, also added the 7 minute max harvest, with water assist after 3.5 minutes. SL#2 will shut down after 3 attempts).

- If three consecutive 3.5 minute harvest cycles occur the SL#2 light on the control board will flash on/off at 1 second intervals. After 75 consecutive 3.5 minutes harvest cycles the SL#2 light will be energized continuously.
- If 100 consecutive 3.5 minute harvest cycles occur, the ice machine stops and the SL#2 light on the control board will be on continuously.

Safety Limit 3

If the harvest float switch hasn't opened for 10 continuous seconds within 4 minutes of the water inlet valve energizing the ice machine stops.

- Safety Limit 3 is bypassed on the initial cycle (manual start or after a full bin/safety limit condition). For all subsequent cycles the ice machine stops for 30 minutes when the water inlet valve is energized for 4 minutes and the harvest float valve didn't open. Control board lights SL#1 and SL#2 will flash on/off at 1 second intervals.
- The ice machine automatically restarts at the end of the 30 minute delay period and stops flashing the control board lights.
- If 100 consecutive failures occur the ice machine stops and the SL#1 & SL#2 lights flash on/off at 1 second intervals.
- SL#1 & SL#2 will flash 3 times on startup and automatically erase after 100 normal cycles.

ENERGIZED PARTS CHART

Self-Contained Ice Machines

ICE MAKING SEQUENCE OF OPERATION	Water Pump	Harvest Valve	Water Inlet Valve	Dump Valve	Compressor & Condenser Fan Motor*	Harvest Float Switch	Ice Thickness Float Switch	Length of Time
Initial Start-up 1a. Water purge 1b. Delay period	on	on	off	on	off	closed	closed	45 seconds
	off	off	off	off	off	closed	closed	5 seconds
2. Refrigeration System Start-up 2a. Equalize Pressure 2b. Compressor Start-up	off	on	off	off	off	closed	closed	5 seconds
	off	on	off	off	on	closed	closed	5 seconds
Freeze Sequence 3. Pre chill	off	off	on	off	on	open	closed	120 Seconds initial cycle Thereafter 30 seconds

ICE MAKING SEQUENCE OF OPERATION	Water Pump	Harvest Valve	Water Inlet Valve	Dump Valve	Compressor & Condenser Fan Motor*	Harvest Float Switch	Ice Thickness Float Switch	Length of Time
4. Freeze	on	off	on	off	on	open then closed	closed then open	Until Harvest Float Switch closes for 10 continual seconds
Harvest Sequence	on	on	off	on	on	closed	closed	45 seconds
5. Water Purge	off	on	off	off	on	closed	closed	Bin switch activation
6. Harvest	off	off	off	off	off	closed	closed	Until bin switch re-closes
7. Automatic Shut-off	off	off	off	off	off	closed	closed	

* Condenser Fan Motor: The fan motor is wired through a fan cycle pressure control; therefore, it may cycle on and off.

Operational Checks

ICE THICKNESS CHECK

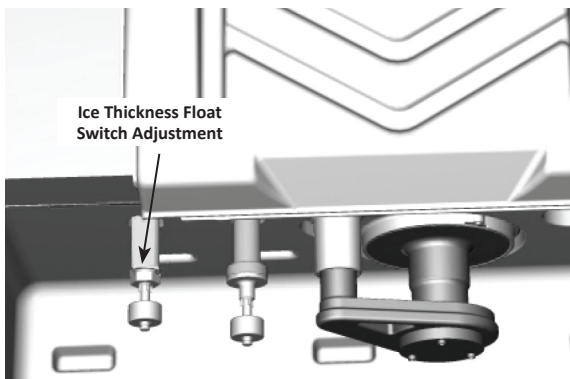
After a harvest cycle, inspect the ice cubes in the ice storage bin. The ice bridge connects the ice cubes and must be set to maintain an ice bridge thickness of 1/8" (3 mm). To adjust the thickness of the bridge refer to ice thickness adjustment.

The ice thickness float switch is factory-set to maintain the ice bridge thickness at 1/8" (3 mm).

NOTE: Make sure the water curtain is in place when performing this check. It prevents water from splashing out of the water trough.

1. Inspect the bridge connecting the cubes. It should be about 1/8" (3 mm) thick.
2. If adjustment is necessary, turn the ice thickness float switch clockwise to increase bridge thickness, counterclockwise to decrease bridge thickness. Adjust to achieve a 1/8" (3 mm) bridge thickness.

NOTE: The float can be adjusted with a 3/4" wrench while the water trough is in-place. Test run two cycles to verify ice bridge thickness.



MINIMUM/MAXIMUM SLAB WEIGHTS

Adjust ice thickness to meet chart specifications.

Model	Minimum Ice Weight Per Cycle	Maximum Ice Weight Per Cycle
KT0300	3.4 lbs 1542 g	3.9 lbs 1769 g
KT0400	3.4 lbs 1542 g	3.9 lbs 1769 g
KT0420	3.4 lbs 1542 g	3.9 lbs 1769 g
KT0500	4.125 lbs 1871 g	4.75 lbs 2154 g
KT0700	4.125 lbs 1871 g	4.75 lbs 2154 g
KT1000	7.25 lbs 3.3 kg	7.75 lbs 3.51 kg
KT1700	13.2 lbs 5.98 kg	14.8 lbs 6.71 kg

Model	Minimum Ice Weight Per Cycle	Maximum Ice Weight Per Cycle
K0250 K0350 K0420	3.4 lbs 1542 g	3.9 lbs 1769 g
K0500 K0600	4.6 lbs 2.1 kg	5.2 lbs 2.36 kg
K1350	12.75 lbs 5.78 kg	14.75 lbs 6.69 kg
K1800	12.80 5.8 kg	14.4 lbs 6.5 kg

Troubleshooting

Safety Limits

Safety limits are stored and indicated by the control board. The number of cycles required to stop the ice machine varies for each safety limit.

Safety limits can be reset by cycling the toggle switch Off/On and starting a new ice making cycle.

A safety limit is indicated by a flashing light on the control board.

SAFETY LIMIT 1

Control board software revision 3.2 and higher

If the freeze time reaches 35 minutes, the control board automatically initiates a harvest cycle.

- After 3 consecutive 35 minute cycles, control board light SL#1 light will flash on/off at 1 second intervals.
- If 6 consecutive 35-minute freeze cycles occur, the ice machine stops and the SL#1 light on the control board will be on continuously.

NOTE: Prior to control board software revision 3.2 the maximum freeze time is 60 minutes rather than 35 minutes.

SAFETY LIMIT 2

If the harvest time reaches 3.5 minutes, the control board automatically returns the ice machine to the freeze cycle.

- If three consecutive 3.5 minute harvest cycles occur, the SL#2 light on the control board will flash on/off at 1 second intervals. After 75 consecutive 3.5 minutes harvest cycles, the SL#2 light will be energized continuously.
- If 100 consecutive 3.5 minute harvest cycles occur, the ice machine stops and the SL#2 light on the control board will be on continuously.

SAFETY LIMIT 3

If the harvest float switch hasn't opened for 10 continuous seconds within the first 4 minutes of the freeze cycle, the ice machine stops.

- Safety Limit 3 is bypassed on the initial cycle (manual start or after a full bin/safety limit condition). For all subsequent cycles, the ice machine stops for 30 minutes when the harvest float switch hasn't opened for 10 continuous seconds within the first 4 minutes of the freeze cycle. Control board lights SL#1 and SL#2 will flash on/off at 1 second intervals.
- The ice machine automatically restarts at the end of the 30 minute delay period and stops flashing the control board lights.
- If 100 consecutive failures occur, the ice machine stops and the SL#1 & SL#2 lights flash on/off at 1 second intervals.
- SL#1 & SL#2 will flash 3 times on start-up and automatically erase after 100 normal cycles.

Determining Which Safety Limit Stopped the Ice Machine:

1. Cycle the toggle switch Off.
2. Cycle the toggle switch On to start ice making.
3. Watch the safety limit lights.
 - One will flash corresponding to safety limits 1 or 2.
4. Safety limit 3 is indicated by both SL#1 & SL#2 flashing.

After safety limit indication, the ice machine will restart and run until a safety limit is exceeded again.

Safety Limit Notes

- A continuous run of 100 harvests automatically erases the safety limit code.
- The control board will store and indicate only one safety limit – the last one exceeded.
- If the toggle switch is cycled OFF and then ON prior to reaching the 100-harvest point, the last safety limit exceeded will be indicated.

SAFETY LIMIT CHECKLIST

The following checklists are designed to assist the service technician in analysis. However, because there are many possible external problems, do not limit your diagnosis to only the items listed.

Safety Limit #1

Control board software revision 3.2 and higher

Freeze time exceeds 35 minutes for 6 consecutive freeze cycles.

Possible Cause Checklist

Improper installation

- Refer to “Installation/Visual Inspection Checklist” on page 79

Water System

- Float switch or water escaping water trough
- Low water pressure (20 psig min.)
- High water pressure (80 psig max.)
- High water temperature (90°F/32.2°C max.)
- Clogged water distribution tube
- Dirty/defective water inlet valve
- Defective water pump

Electrical System

- Harvest cycle not initiated electrically
- Contactor not energizing
- Compressor electrically non-operational
- Restricted condenser air flow
- High inlet air temperature (110°F/43.3°C max.)
- Condenser discharge air re-circulation
- Dirty condenser fins
- Defective fan cycling control
- Defective fan motor
- Dirty condenser

NOTE: Prior to control board software revision 3.2 the maximum freeze time is 60 minutes rather than 35 minutes.

Refrigeration System

- Non-OEM components
- Improper refrigerant charge
- Defective compressor
- TXV starving or flooding (check bulb mounting)
- Non-condensable in refrigeration system
- Plugged or restricted high side refrigerant lines or component
- Defective harvest valve

Safety Limit #2

Harvest time exceeds 7 minutes for 100 Consecutive harvest cycles.

Possible Cause Checklist

Improper installation

- Refer to “Installation/Visual Inspection Checklist” on page 79

Water System

- Water area (evaporator) dirty
- Dirty/defective water dump valve
- Vent tube not installed on water outlet drain
- Water freezing behind evaporator
- Plastic extrusions and gaskets not securely mounted to the evaporator

Electrical System

- Bin switch defective
- Premature harvest

Refrigeration System

- Non-OEM components
- Improper refrigerant charge
- Defective harvest valve
- TXV flooding (check bulb mounting)
- Defective fan cycling control

Safety Limit 3

The harvest float switch hasn't opened for 10 continuous seconds in the first 4 minutes of the freeze cycle.

Possible Cause Checklist

Improper installation

- Refer to "Installation/Visual Inspection Checklist" on page 79

Water System

- Water dump valve
- Harvest float valve dirty or defective
- Low water pressure (20 psig min.)
- Dirty defective water filter (when used)
- Loss of water from sump area
- Dirty/defective water inlet valve

Electrical System

- Water inlet valve coil defective
- Harvest float valve defective

Control Board Test Mode

NOTE: The water curtain/bin switch can be open or closed and does not affect the operation of the test mode.

To enter the test mode, move the toggle switch to off, then press and hold the test button on the control board for 3 seconds. The control board test mode performs the following functions for a 2-minute time period:

- Energizes all control board relays
- Energizes all control board lights

After 2 minutes, the control board will automatically initiate and complete one ice-making cycle, then stop (On software revision 2.70 or earlier). On software version 2.71 or later the control board will complete 500 ice making cycles and shutdown.

Canceling a test cycle:

To cancel a test cycle, press the test button a second time.

Restarting a test cycle:

The test cycle will restart each time the test button is pressed for a 3-second time period.

Diagnosing an Ice Machine that Will Not Run

Warning

High (line) voltage is applied to the control board at all times. Removing the control board fuse or pressing the power button will not remove the power supplied to the control board.

1. Verify primary voltage is supplied to ice machine and the fuse/circuit breaker is closed.
2. Verify control board fuse is okay.

NOTE: If any control board lights are on, the fuse is okay.

3. Verify the bin switch functions properly. A defective bin switch can falsely indicate a full bin of ice.
4. Verify toggle switch functions properly. A defective toggle switch may keep the ice machine in the OFF mode. Refer to toggle switch diagnostics when Steps 1 – 3 test good.
5. Be sure Steps 1 – 4 were followed thoroughly. Intermittent problems are not usually related to the control board. Replace control board if toggle switch operation is correct.

Troubleshooting By Symptom

The troubleshooting procedures follow diagnostic charts. There are four symptoms, the symptom that you are experiencing will determine which diagnostic chart to use. The chart asks yes and no questions to determine the problem. The diagnostic chart will direct you to a procedure to correct the problem. Remote condenser, and self contained models use separate charts.

SYMPTOM #1

Ice Machine Stops Running

Ice machine is in Ice Making cycle

or

Has a History of Shutting Down

- Refer to Ice Machine Stops Running diagnostic chart

SYMPTOM #2

Ice Machine has a Long Freeze Cycle

Ice Formation is Thick

or

Thin Ice Fill on Inlet or Outlet of Evaporator

or

Low Production

Service Fault (possible)

- Refer to Freeze Cycle Refrigeration System Operational Analysis Table

SYMPTOM #3

Ice Machine Will Not Harvest - Freeze Cycle is Normal and Ice Cubes are Not Melted After Harvest

Long Harvest (possible)

- Refer to Refrigeration Harvest Flow Chart

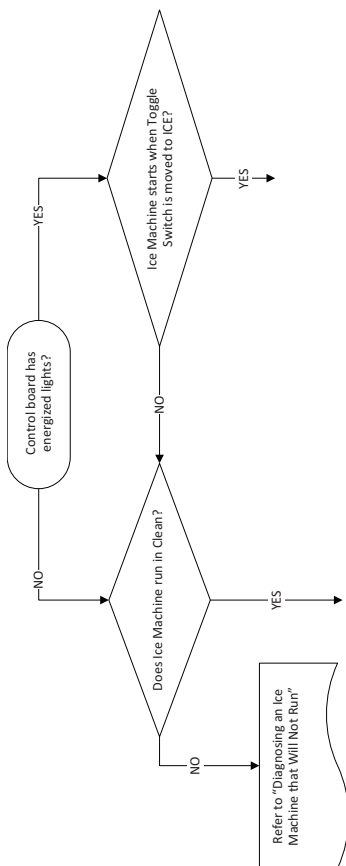
SYMPTOM #4

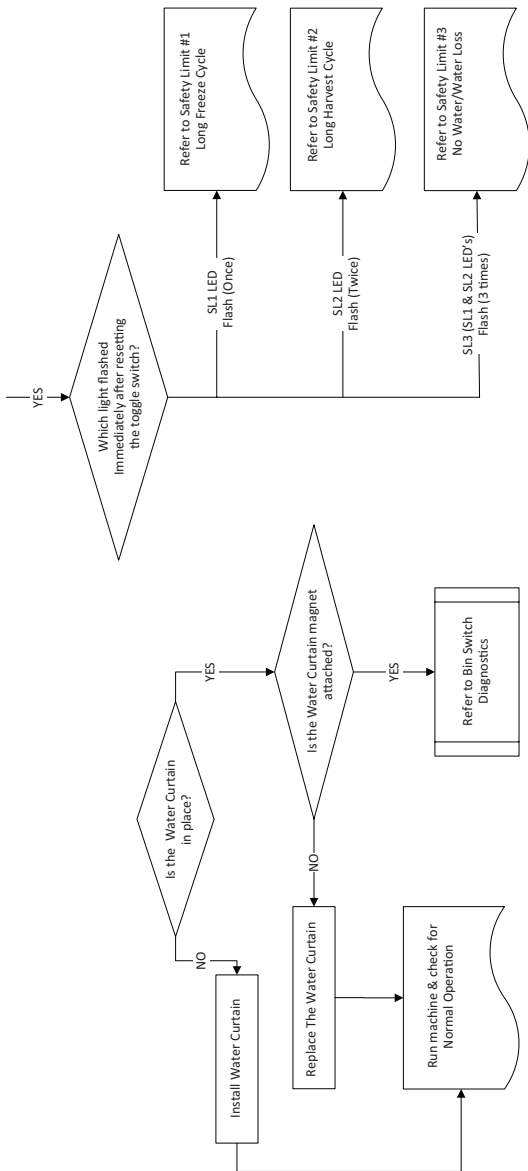
Ice Machine Will Not Harvest - Freeze Cycle is Normal and Ice Cubes are Melted After Harvest

- Refer to Ice Meltout Flow Chart

SYMPTOM #1 - SELF-CONTAINED AIR, WATER-COOLED TRADITIONAL REMOTE

Ice Machine stops running or has history of shutting down





#2 - LOW PRODUCTION, LONG FREEZE CYCLE

Ice Machine has a Long Freeze Cycle

Ice Formation is Thick

or

Thin on Inlet or Outlet of Evaporator

or

Low Production

How to Use the Freeze Cycle Refrigeration System Operational Analysis Table

GENERAL

These tables must be used with charts, checklists and other references to eliminate refrigeration components not listed on the tables and external items and problems which can cause good refrigeration components to appear defective.

The tables list five different defects that may affect the ice machine's operation.

NOTE: A low-on-charge ice machine and a starving expansion valve have very similar characteristics and are listed under the same column.

NOTE: Before starting, see "Before Beginning Service" for a few questions to ask when talking to the ice machine owner.

PROCEDURE

Step 1 Complete the "Operation Analysis" column.

Read down the left "Operational Analysis" column. Perform all procedures and check all information listed. Each item in this column has supporting reference material to help analyze each step.

While analyzing each item separately, you may find an "external problem" causing a good refrigerant component to appear bad. Correct problems as they are found. If the operational problem is found, it is not necessary to complete the remaining procedures.

Step 2 Enter Checkmarks (√).

Each time the actual findings of an item in the “Operational Analysis” column matches the published findings on the table, enter a Checkmark.

Example: Freeze cycle suction pressure is determined to be low. Enter a Checkmark in the “low” column.

Step 3 Add the Checkmarks listed under each of the four columns. Note the column number with the highest total and proceed to “Final Analysis.”

NOTE: If two columns have matching high numbers, a procedure was not performed properly, supporting material was not analyzed correctly or the problem component is not covered by the analysis table.

Before Beginning Service

Ice machines may experience operational problems only during certain times of the day or night. A machine may function properly while it is being serviced, but malfunctions later. Information provided by the user can help the technician start in the right direction, and may be a determining factor in the final diagnosis.

Ask these questions before beginning service:

- When does the ice machine malfunction? (night, day, all the time, only during the Freeze cycle, etc.)
- When do you notice low ice production? (one day a week, every day, on weekends, etc.)
- Can you describe exactly what the ice machine seems to be doing?
- Has anyone been working on the ice machine?
- During “store shutdown,” is the circuit breaker, water supply or air temperature altered?
- Is there any reason why incoming water pressure might rise or drop substantially?

SYMPTOM #2 - REFRIGERATION COMPONENT DIAGNOSTIC CHART

	1	2	3	4
<p>Operational Analysis</p>				
<p>Ice Production</p>	<p>Published 24 hour ice production _____ Calculated (actual) 24 hour ice production _____</p> <p>NOTE: The ice machine is operating properly if the ice fill pattern is normal and ice production is within 10% of charted capacity.</p>			
<p>Installation and Water System</p>	<p>All installation and water related problems must be corrected before proceeding with chart.</p>			

<p>Operational Analysis</p>	<p>1</p>	<p>2</p>	<p>3</p>	<p>4</p>
<p>Ice Formation Pattern</p>	<p>Ice formation is extremely thin on outlet of evaporator -or- No ice formation on entire evaporator</p>	<p>Ice formation extremely thin on outlet of evaporator -or- No ice formation on entire evaporator</p>	<p>Ice formation is normal -or- Ice formation is extremely thin on the bottom of evaporator -or- No ice formation on evaporator</p>	<p>Ice formation is normal -or- No ice formation on entire evaporator</p>
<p>Safety Limits Refer to "Analyzing Safety Limits" to eliminate all non-refrigeration problems.</p>	<p>Stops on safety limit: 1 or 2</p>	<p>Stops on safety limit: 1</p>	<p>Stops on safety limit: 1 or 2</p>	<p>Stops on safety limit: 1</p>

Operational Analysis	1	2	3	4
Freeze Cycle Discharge Pressure _____ 1 minute Middle End	If discharge pressure is High or Low, refer to freeze cycle high or low discharge pressure problem checklist to eliminate problems and/or components not listed on this table before proceeding.			
Freeze Cycle Suction Pressure _____ 1 minute Middle End	If suction pressure is High or Low refer to freeze cycle high or low suction pressure problem checklist to eliminate problems and/or components not listed on this table before proceeding.			
	Suction pressure is High	Suction pressure is Low	Suction pressure is High	Suction pressure is High

<p>Operational Analysis</p> <p>Harvest Valve</p>	<p>1</p> <p>The harvest valve inlet is HOT and the compressor discharge line is HOT</p>	<p>2</p> <p>The harvest valve inlet is COOL and the compressor discharge line is HOT</p>	<p>3</p> <p>The harvest valve inlet is COOL and the compressor discharge line is COOL</p>	<p>4</p> <p>The harvest valve inlet is COOL and the compressor discharge line is HOT</p>
<p>Discharge Line Temp. Record freeze cycle discharge line temp at the end of freeze cycle.</p>	<p>Discharge line temp 150°F (66°C) or higher at the end of freeze cycle</p>	<p>Discharge line temp 150°F (66°C) or higher at the end of freeze cycle</p>	<p>Discharge line temp less than 150°F (66°C) at the end of freeze cycle</p>	<p>Discharge line temp 150°F (66°C) or higher at the end of freeze cycle</p>
<p>Final Analysis Enter total number of boxes checked in each column.</p>	<p>Harvest Valve Leaking</p>	<p>Low On Charge -or- TXV Starving</p>	<p>TXV Flooding</p>	<p>Compressor</p>

Ice Machine Does Not Cycle Into Harvest when the Harvest Float Is Down/Closed

NOTE: The ice machine will make a thick or double slab when a new freeze cycle is started with ice already present on the evaporator.

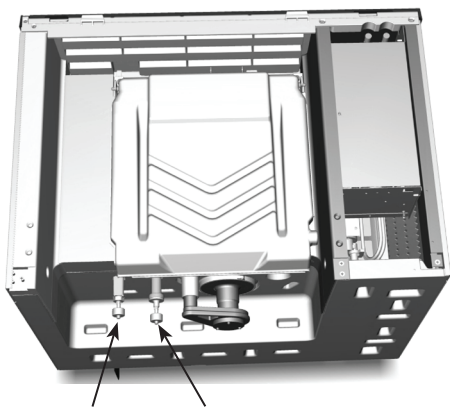
Two of the most common scenarios are:

- Power is cycled off/on with ice on the evaporator.
- The water curtain/bin switch is opened/closed in the harvest cycle before the ice releases.

Remove all ice from the evaporator before starting diagnostic procedures.

Freeze Time Lock-In Feature

The ice machine control system incorporates a freeze time lock-in feature. This prevents the ice machine from short cycling in and out of harvest. The control board locks the ice machine in the freeze cycle for six minutes. After six minutes a harvest cycle can be initiated. To allow the service technician to initiate a harvest cycle without delay, this feature is not used on the first cycle after moving the toggle switch to OFF and back to ON.



Ice Thickness Float Switch

Harvest Float Switch

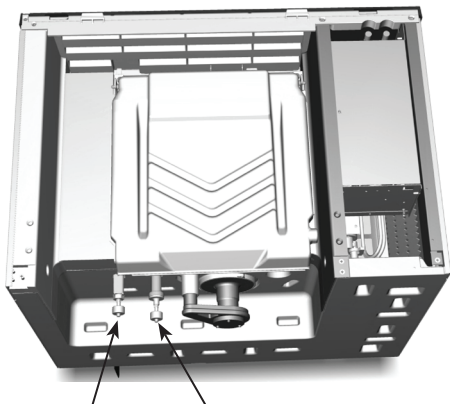
Step 1 Disconnect power to the ice machine, remove the electrical panel to allow viewing of the control board lights. Disconnect the harvest float switch wire from the control board and place a jumper on the control board harvest switch terminals.

Step 2 Bypass the freeze time lock-in feature by moving the toggle switch Off/On to cycle the ice machine on. Wait until water flows over the evaporator, then refer to chart.

Result	Correction
10 seconds into the freeze cycle the ice machine cycles from freeze to harvest and the control board harvest light energizes.	The ice thickness float switch, connectors or wiring are causing the malfunction.
The harvest light comes on, but the ice machine remains in the freeze cycle.	The ice machine is in a 6 minute freeze lock - Cycle on/off and retest.
The harvest light stays off and the ice machine remains in freeze.	Replace the control board.

Ice Machine Cycles Into Harvest Before the Harvest Float Is Down/Closed

Step 1 Disconnect power to the ice machine, remove the electrical panel to allow viewing of the control board lights and disconnect the float switch harness from the control board.



Ice Thickness Float Switch

Harvest Float Switch

Step 2 Reapply power and move the toggle switch to Ice to bypass the freeze time lock-in feature. Wait until water flows over the evaporator, then refer to chart.

Result	Correction
The harvest light does not come on and the ice machine stays in freeze.	The ice thickness float switch, connectors or wiring are causing the malfunction. Refer to float switch diagnostics.
10 seconds into the freeze cycle the ice machine cycles from freeze to harvest and the control board harvest light energizes.	Replace the control board.

Ice Production Check

The amount of ice a machine produces directly relates to the operating water and air temperatures. This means an ice machine with a 70°F (21°C) ambient temperature and 50°F (10°C) water produces more ice than the same ice machine with 90°F (32°C) ambient and 70°F (21°C) water.

1. Determine the ice machine operating conditions:
Air temp entering condenser: _____°
Air temp around ice machine: _____°
Water temp entering sump trough: _____°
2. Refer to the appropriate 24-Hour Ice Production Chart. Use the operating conditions determined in Step 1 to find published 24-Hour Ice Production: _____
 - Times are in minutes.
Example: 1 min. 15 sec. converts to 1.25 min.
(15 seconds ÷ 60 seconds = .25 minutes)
 - Weights are in pounds.
Example: 2 lb. 6 oz. converts to 2.375 lb.
(6 oz. ÷ 16 oz. = .375 lb.)
3. Perform an ice production check using the formula below.

1.	+	=
Freeze Time	Harvest Time	Total Cycle Time
2. 1440	÷	=
Minutes in 24 Hrs.	Total Cycle Time	Cycles per Day
3.	x	= _____
Weight of One Harvest	Cycles per Day	Actual 24-Hour Production

Weighing the ice is the only 100% accurate check.

4. Compare the results of Step 3 with Step 2. Ice production is normal when these numbers match closely. If they match closely, determine if:
 - Another larger ice machine is required.
 - Relocating the existing equipment to lower the load conditions is required.

Contact the local distributor for information on available options and accessories.

Installation/Visual Inspection Checklist

Ice machine is not level

- Level the ice machine

Condenser is dirty

- Clean the condenser

Water filtration is plugged (if used)

- Install a new water filter

Water drains are not run separately and/or are not vented

- Run and vent drains according to the Installation Manual

Water System Checklist

A water-related problem often causes the same symptoms as a refrigeration system component malfunction.

Example: A water dump valve leaking during the freeze cycle, a system low on charge, and a starving TXV have similar symptoms.

Water system problems must be identified and eliminated prior to replacing refrigeration components.

Water area (evaporator) is dirty

- Clean as needed

Water inlet pressure not between 20 and 80 psig (1–5 bar, 138–552 kPa)

- Install a water regulator valve or increase the water pressure

Incoming water temperature is not between 35°F (1.7°C) and 90°F (32.2°C)

- If too hot, check the hot water line check valves in other store equipment

Water filtration is plugged (if used)

- Install a new water filter

Vent tube is not installed on water outlet drain

- See Installation Instructions

Hoses, fittings, etc., are leaking water

- Repair/replace as needed

Water valve is stuck open, closed or is leaking

- Clean/replace as needed

Water is spraying out of the sump trough area

- Stop the water spray

Uneven water flow across the evaporator

- Clean the ice machine

Water is freezing behind the evaporator

- Correct the water flow

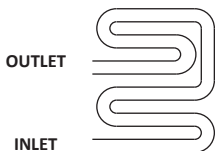
Plastic extrusions and gaskets are not secured to the evaporator

- Remount/replace as needed

Ice Formation Pattern

Evaporator ice formation pattern analysis is helpful in ice machine diagnostics.

Analyzing the ice formation pattern alone cannot diagnose an ice machine malfunction. However, when this analysis is used along with the Refrigeration System Operational Analysis Table, it can help diagnose an ice machine malfunction.



Example of Evaporator Tubing Routing

Normal Ice Formation

Ice forms across the entire evaporator surface.

At the beginning of the Freeze cycle, it may appear that more ice is forming on the inlet of the evaporator than at the outlet. At the end of the Freeze cycle, ice formation at the outlet will be close to, or just a bit thinner than, ice formation at the inlet. The dimples in the cubes at the outlet of the evaporator may be more pronounced than those at the inlet. This is normal.

If ice forms uniformly across the evaporator surface, but does not do so in the proper amount of time, this is still considered a normal ice fill pattern.

Extremely Thin at Evaporator Outlet

There is no ice, or a considerable lack of ice formation on the outlet of the evaporator.

Examples: No ice at all at the outlet of the evaporator, but ice forms at the inlet half of the evaporator. Or, the ice at the outlet of the evaporator reaches the correct thickness, but the outlet of the evaporator already has 1/2" to 1" (12 to 25 mm) of ice formation.

Extremely Thin at Evaporator Inlet

There is no ice, or a considerable lack of ice formation at the inlet of the evaporator. Examples: The ice at the outlet of the evaporator reaches the correct thickness, but there is no ice formation at all at the inlet of the evaporator.

No Ice Formation

The ice machine operates for an extended period, but there is no ice formation at all on the evaporator.

Evaporator Tubing Routing

Routing of the tubing on the back of the evaporator determines the ice fill pattern failure mode.

One Evaporator, One TXV Models

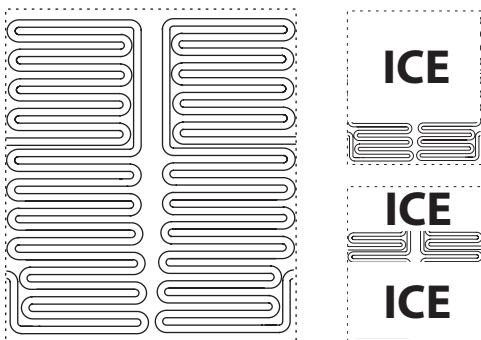
The evaporator outlet tubing does not exit directly at the top of the evaporator, but exits several inches below the top of the evaporator. Extremely Thin at the Evaporator Outlet will first be visible several inches below the top of the evaporator. Extremely Thin at Evaporator Inlet will first be visible at the bottom of the evaporator.

One Evaporator, Two TXV 48" Models

Tubing routing for one evaporator with two TXV's is different. The evaporator has two inlets and outlets. Fill pattern varies depending on which circuit is affected,

Extremely Thin at the Evaporator Outlet

Will first be visible 1/3 of the way down the evaporator. Only one side of the evaporator may be affected depending on failure. A TXV failure will usually show on only one side, while low on refrigerant can affect one or both sides depending on the amount of refrigerant loss and ambient temperature.



Extremely Thin at the Evaporator Inlet

Will show at the bottom of the evaporator. Depending on the failure either the entire bottom of the evaporator or one side of the bottom of the evaporator may be affected.

Analyzing Suction Pressure

The suction pressure gradually drops throughout the freeze cycle. The actual suction pressure (and drop rate) changes as the air and water temperature entering the ice machine changes. These variables also determine the freeze cycle times.

To analyze and identify the proper suction pressure drop throughout the freeze cycle, compare the published suction pressure to the published freeze cycle time.

NOTE: Analyze discharge pressure before analyzing suction pressure. High or low discharge pressure may be causing high or low suction pressure.

Procedure

Step																												
<p>1. Determine the ice machine operating conditions.</p> <p><i>Example:</i></p> <p><i>Air temp. entering condenser: 90°F/32.2°C</i></p> <p><i>Air temp. around ice machine: 80°F/26.7°C</i></p> <p><i>Water temp. entering water fill valve: 70°F/21.1°C</i></p>																												
<p>2A. Refer to “Cycle Time” and “Operating Pressure” charts for ice machine model being checked. Using operating conditions from Step 1, determine published freeze cycle time and published freeze cycle suction pressure.</p> <p><i>Example:</i></p> <p><i>Published freeze cycle time: 14.8 - 15.9 minutes</i></p> <p><i>Published freeze cycle suction pressure: 65 - 26 psig</i></p>																												
<p>2B. Compare the published freeze cycle time and published freeze cycle suction pressure. Develop a chart.</p> <p><i>Example:</i></p> <table style="margin-left: 40px;"> <tr> <td colspan="7"><u>Published Freeze Cycle Time (minutes)</u></td> </tr> <tr> <td style="text-align: center;">1</td> <td style="text-align: center;">2</td> <td style="text-align: center;">4</td> <td style="text-align: center;">7</td> <td style="text-align: center;">10</td> <td style="text-align: center;">12</td> <td style="text-align: center;">14</td> </tr> <tr> <td style="text-align: center;"> </td> <td style="text-align: center;"> </td> <td style="text-align: center;"> </td> <td style="text-align: center;"> </td> <td style="text-align: center;"> </td> <td style="text-align: center;"> </td> <td style="text-align: center;"> </td> </tr> <tr> <td style="text-align: center;">65</td> <td style="text-align: center;">55</td> <td style="text-align: center;">47</td> <td style="text-align: center;">39</td> <td style="text-align: center;">34</td> <td style="text-align: center;">30</td> <td style="text-align: center;">26</td> </tr> </table> <p><u>Published Freeze Cycle Suction Pressure (psig)</u></p> <p><i>In the example, the proper suction pressure should be approximately 39 psig at 7 minutes; 30 psig at 12 minutes; etc.</i></p>	<u>Published Freeze Cycle Time (minutes)</u>							1	2	4	7	10	12	14								65	55	47	39	34	30	26
<u>Published Freeze Cycle Time (minutes)</u>																												
1	2	4	7	10	12	14																						
65	55	47	39	34	30	26																						
<p>3. Perform an actual suction pressure check at the beginning, middle and end of the freeze cycle. Note the times at which the readings are taken.</p> <p><i>Example:</i></p> <p><i>Manifold gauges were connected to the example ice machine and suction pressure readings taken as follows: _____ PSIG</i></p> <p><i>Beginning of freeze cycle: 79 (at 1 min.)</i></p> <p><i>Middle of freeze cycle: 48 (at 7 min.)</i></p> <p><i>End of freeze cycle: 40 (at 14 min.)</i></p>																												
<p>4. Compare the actual freeze cycle suction pressure (Step 3) to the published freeze cycle time and pressure comparison (Step 2B). Determine if the suction pressure is high, low or acceptable.</p> <p><i>Example:</i></p> <p><i>In this example, the suction pressure is considered high throughout the freeze cycle. It should have been:</i></p> <p><i>Approximately 65 psig (at 1 minute) – not 79</i></p> <p><i>Approximately 39 psig (at 7 minutes) – not 48</i></p> <p><i>Approximately 26 psig (at 14 minutes) – not 40</i></p>																												

SUCTION PRESSURE HIGH CHECKLIST

Improper Installation

- Refer to “Installation/Visual Inspection Checklist” on page 79.

Discharge Pressure

- Discharge pressure is too high and is affecting suction pressure, refer to “Discharge Pressure High Checklist” on page 91.

Improper Refrigerant Charge

- Overcharged
- Wrong type of refrigerant
- Non-condensable in system

Other

- Non-OEM components in system
- Harvest valve leaking
- TXV flooding (check bulb mounting)
- Defective compressor

SUCTION PRESSURE LOW CHECKLIST

Improper Installation

- Refer to “Installation/Visual Inspection Checklist” on page 79.

Discharge Pressure

- Discharge pressure is too low, and is affecting suction pressure, refer to “Freeze Cycle Discharge Pressure Low Checklist” on page 91

Improper Refrigerant Charge

- Undercharged
- Wrong type of refrigerant

Other

- Non-OEM components in system
- Improper water supply over evaporator refer to “Water System Checklist” on page 80.
- Loss of heat transfer from tubing on back side of evaporator
- Restricted/plugged liquid line drier
- Restricted/plugged tubing in suction side of refrigeration system
- TXV starving

NOTE: Do not limit your diagnosis to only the items listed in the checklists.

Comparing Evaporator Inlet and Outlet Temperatures

The temperatures of the suction lines entering and leaving the evaporator alone cannot diagnose an ice machine. However, comparing these temperatures during the freeze cycle, along with the Refrigeration System Operational Analysis Table, can help diagnose an ice machine malfunction.

The actual temperatures entering and leaving the evaporator vary by model, and change throughout the freeze cycle. This makes documenting the “normal” inlet and outlet temperature readings difficult. The key to the diagnosis lies in the difference between the two temperatures five minutes into the freeze cycle. These temperatures must be within 7°F (4°C) of each other.

Use this procedure to document freeze cycle inlet and outlet temperatures.

1. Use a quality temperature meter, capable of taking temperature readings on curved copper lines.
2. Attach the temperature meter sensing device to the copper lines entering and leaving the evaporator.

Important

Do not simply insert the sensing device under the insulation. It must be attached to and reading the actual temperature of the copper line.

3. Wait five minutes into the freeze cycle.
4. Record the temperatures below and determine the difference between them.

_____	_____	_____
Inlet Temperature	Difference must be within 7°F (4°C) at 5 minutes into the freeze cycle	Outlet Temperature

5. Use this with other information gathered on the Refrigeration System Operational Analysis Table to determine the ice machine malfunction.

Analyzing Discharge Pressure

1. Determine the ice machine operating conditions:

Air temp. entering condenser _____

Air temp. around ice machine _____

Water temp. entering sump trough _____

2. Refer to "Cycle Times, 24 Hr. Ice Production and Refrigerant Pressure Charts" on page 145 for ice machine being checked.

Use the operating conditions determined in Step 1 to find the published normal discharge pressures.

Freeze Cycle _____

Harvest Cycle _____

3. Perform an actual discharge pressure check.

	Freeze Cycle PSIG	Harvest Cycle PSIG
Beginning of Cycle	_____	_____
Middle of Cycle	_____	_____
End of Cycle	_____	_____

4. Compare the actual discharge pressure (Step 3) with the published discharge pressure (Step 2).

The discharge pressure is normal when the actual pressure falls within the published pressure range for the ice machine's operating conditions. It is normal for the discharge pressure to be higher at the beginning of the freeze cycle (when load is greatest), then drop throughout the freeze cycle.

DISCHARGE PRESSURE HIGH CHECKLIST

Improper Installation

- Refer to “Installation/Visual Inspection Checklist” on page 79.

Condenser Air Flow

- High inlet air temperature
- Condenser discharge air re-circulation
- Dirty condenser fins
- Defective fan cycling control
- Defective fan motor

Improper Refrigerant Charge

- Overcharged
- Non-condensable in system
- Wrong type of refrigerant

Other

- Non-OEM components in system
- High side refrigerant lines/component restricted (before mid-condenser)

FREEZE CYCLE DISCHARGE PRESSURE LOW CHECKLIST

Improper Installation

- Refer to “Installation/Visual Inspection Checklist” on page 79.

Improper Refrigerant Charge

- Undercharged
- Wrong type of refrigerant

Other

- Non-OEM components in system
- High side refrigerant lines/component restricted (before mid-condenser)
- Defective fan cycle control

NOTE: Do not limit your diagnosis to only the items listed in the checklists.

Harvest Valve

General

The harvest valve is an electrically operated valve that opens when energized, and closes when de-energized.

Normal Operation

The valve is de-energized (closed) during the freeze cycle and energized (open) during the harvest cycle. The valve is positioned between the compressor discharge line and the evaporator and performs two functions:

1. Prevents refrigerant from entering the evaporator during the freeze cycle.

The harvest valve is not used during the freeze cycle. The harvest valve is de-energized (closed) preventing refrigerant flow from the discharge line into the evaporator.

2. Allows refrigerant vapor to enter the evaporator in the harvest cycle.

During the harvest cycle, the harvest valve is energized (open) allowing refrigerant gas from the discharge line of the compressor to flow into the evaporator. The heat is absorbed by the evaporator and allows release of the ice slab.

Exact pressures vary according to ambient temperature and ice machine model. Harvest pressures can be found in the Cycle Time/24 Hour Ice Production/ Refrigerant Pressure Charts in this book.

HARVEST VALVE ANALYSIS

The valve can fail in two positions:

- Valve will not open in the harvest cycle.
- Valve remains open during the freeze cycle.

Valve will not open in the harvest cycle

Although the circuit board has initiated a harvest cycle, the evaporator temperature remains unchanged from the freeze cycle.

Valve remains open in the freeze cycle:

Symptoms of a harvest valve remaining partially open during the freeze cycle can be similar to symptoms of an expansion valve or compressor problem. Symptoms are dependent on the amount of leakage in the freeze cycle.

A small amount of leakage will cause increased freeze times and an ice fill pattern that is “Thin at the Outlet”, but fills in at the end of the cycle.

As the amount of leakage increases, the length of the freeze cycle increases and the amount of ice at the outlet of the evaporator decreases.

Refer to the Parts Manual for proper valve application. If replacement is necessary, use only “original” replacement parts.

Use the following procedure and table to help determine if a harvest valve is remaining partially open during the freeze cycle.

1. Wait five minutes into the freeze cycle.
2. Feel the inlet of the harvest valve(s).

Important

Feeling the harvest valve outlet or across the harvest valve itself will not work for this comparison.

The harvest valve outlet is on the suction side (cool refrigerant). It may be cool enough to touch even if the valve is leaking.

3. Feel the compressor discharge line.

Warning

The inlet of the harvest valve and the compressor discharge line could be hot enough to burn your hand. Just touch them momentarily.

4. Compare the temperature of the inlet of the harvest valves to the temperature of the compressor discharge line.

Findings	Comments
<p>The inlet of the harvest valve is cool enough to touch and the compressor discharge line is hot.</p> <p style="text-align: center;">Cool & Hot</p>	<p>This is normal as the discharge line should always be too hot to touch and the harvest valve inlet, although too hot to touch during harvest, should be cool enough to touch after 5 minutes into the freeze cycle.</p>
<p>The inlet of the harvest valve is hot and approaches the temperature of a hot compressor discharge line.</p> <p style="text-align: center;">Hot & Hot</p>	<p>This is an indication something is wrong, as the harvest valve inlet did not cool down during the freeze cycle. If the compressor dome is also entirely hot, the problem is not a harvest valve leaking, but rather something causing the compressor (and the entire ice machine) to get hot.</p>
<p>Both the inlet of the harvest valve and the compressor discharge line are cool enough to touch.</p> <p style="text-align: center;">Cool & Cool</p>	<p>This is an indication something is wrong, causing the compressor discharge line to be cool to the touch. This is not caused by a harvest valve leaking.</p>

5. Record your findings on the table.

Discharge Line Temperature Analysis

GENERAL

Knowing if the discharge line temperature is increasing, decreasing or remaining constant can be an important diagnostic tool. Maximum compressor discharge line temperature on a normally operating ice machine steadily increases throughout the freeze cycle. Comparing the temperatures over several cycles will result in a consistent maximum discharge line temperature.

Ambient air temperatures affect the maximum discharge line temperature.

Higher ambient air temperatures at the condenser = higher discharge line temperatures at the compressor.

Lower ambient air temperatures at the condenser = lower discharge line temperatures at the compressor.

Regardless of ambient temperature, the freeze cycle discharge line temperature will be higher than 150°F (66°C) on a normally operating ice machine.

PROCEDURE

Connect a temperature probe on the compressor discharge line within 6" (15 cm) of the compressor. Observe the discharge line temperature for the last three minutes of the freeze cycle and record the maximum discharge line temperature.

Discharge Line Temperature Above 150°F (66°C) at End of Freeze Cycle:

Ice machines that are operating normally will have consistent maximum discharge line temperatures above 150°F (66°C).

Verify the expansion valve sensing bulb is positioned and secured correctly.

Discharge Line Temperature Below 150°F (66°C) at End of Freeze Cycle

Ice machines that have a flooding expansion valve will have a maximum discharge line temperature that decreases each cycle.

Verify the expansion valve sensing bulb is 100% insulated and sealed airtight. Condenser air contacting an incorrectly insulated sensing bulb will cause overfeeding of the expansion valve.

Final Analysis - Self-contained Air, Water & Remote Condenser Models

The column with the highest number of check marks identifies the refrigeration problem.

COLUMN 1 - HARVEST VALVE LEAKING

Replace the valve as required.

COLUMN 2 - LOW CHARGE/TXV STARVING

Normally, a starving expansion valve only affects the freeze cycle pressures, not the harvest cycle pressures. A low refrigerant charge normally affects both pressures. Verify the ice machine is not low on charge before replacing an expansion valve.

1. Add refrigerant charge to verify a low charge (air and water self-contained only). Do not add more than 30% of nameplate refrigerant charge. If the problem is corrected, the ice machine is low on charge.

NOTE: Do not add charge to remote models. The symptoms of a remote low on charge will result in a safety long freeze in cool ambient temperatures. Check the liquid line temperature at the ice machine. The liquid line will be hot with a normal or below normal head pressure in freeze when the ice machine is low on refrigerant.

2. Find the refrigerant leak. The ice machine must operate with the nameplate charge. If the leak cannot be found, proper refrigerant procedures must still be followed. Change the liquid line drier. Then, evacuate and weigh in the proper charge.
3. If the problem is not corrected by adding charge, the expansion valve is faulty.

COLUMN 3 - TXV FLOODING OR REFRIGERANT OVERCHARGE

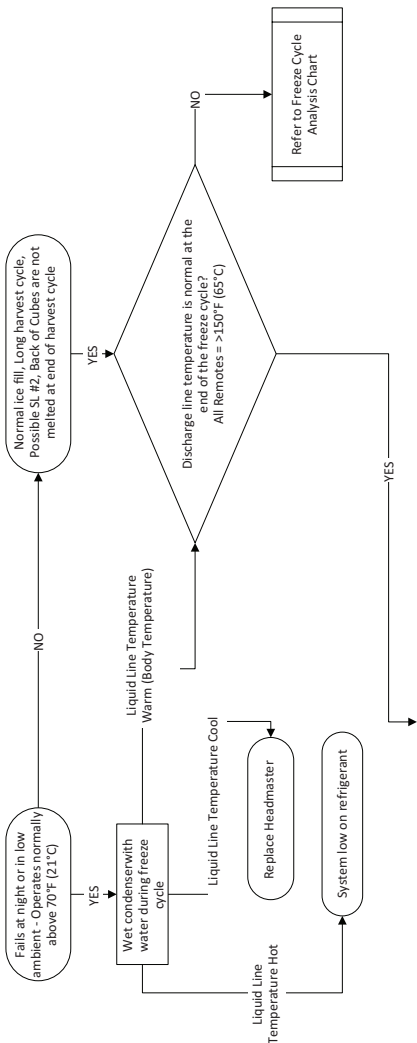
A loose or improperly mounted expansion valve bulb causes the expansion valve to flood. Check bulb mounting, insulation, etc, before changing the valve. Verify refrigerant amount is correct by weighing recovered refrigerant before replacing a TXV.

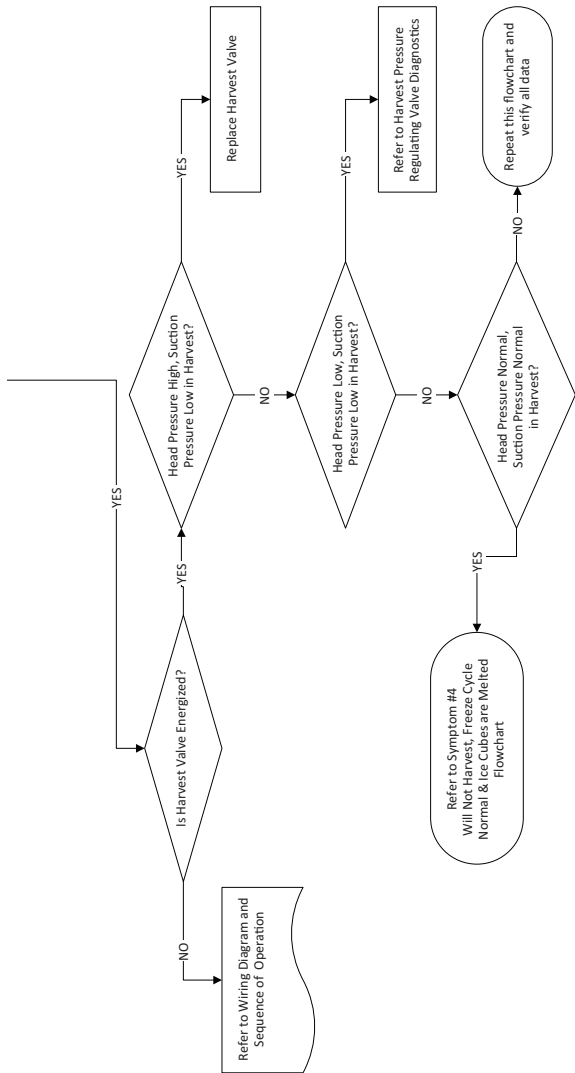
COLUMN 4 - COMPRESSOR

Replace the compressor. To receive warranty credit, the compressor ports must be properly sealed by crimping and soldering them closed.

SYMPTOM #3 - REMOTE CONDENSER

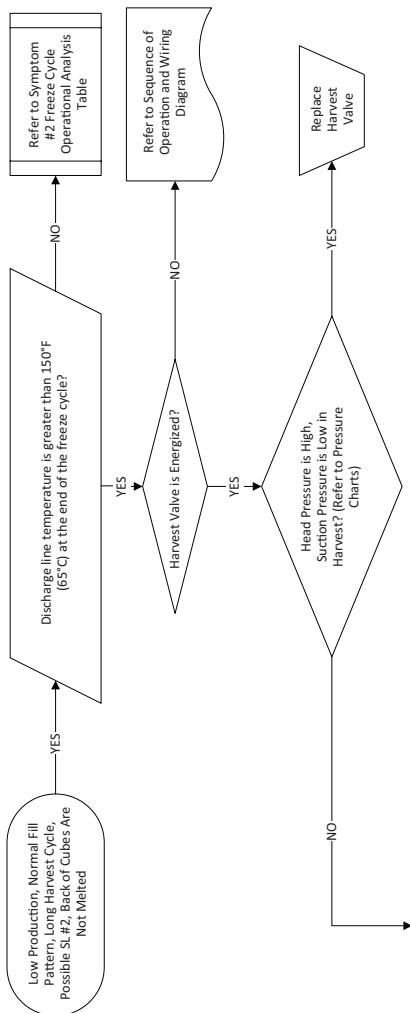
Traditional Remote Ice Machine – Long Harvest/Low Production/Intermittent Safety Limit 2

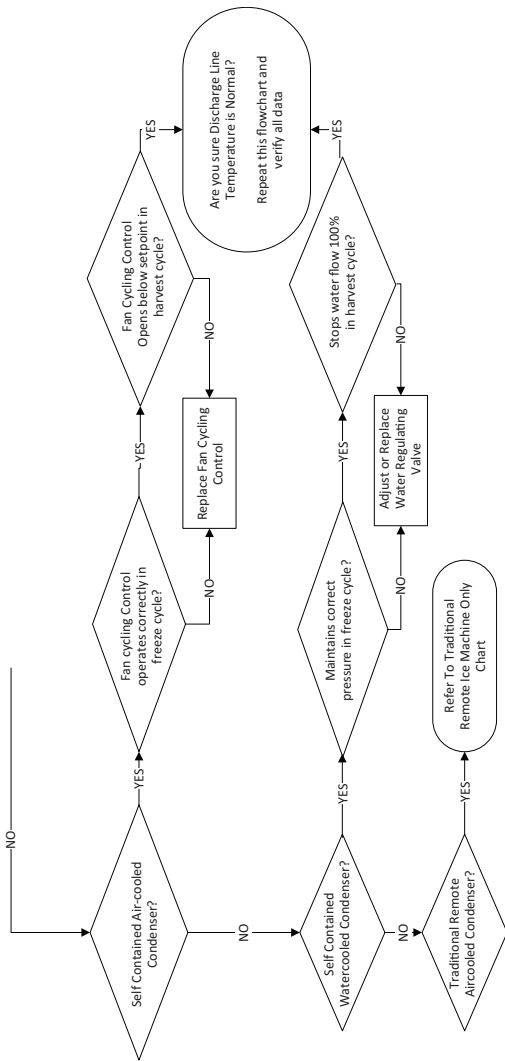




SYMPTOM #3 - SELF-CONTAINED AIR OR WATER-COOLED

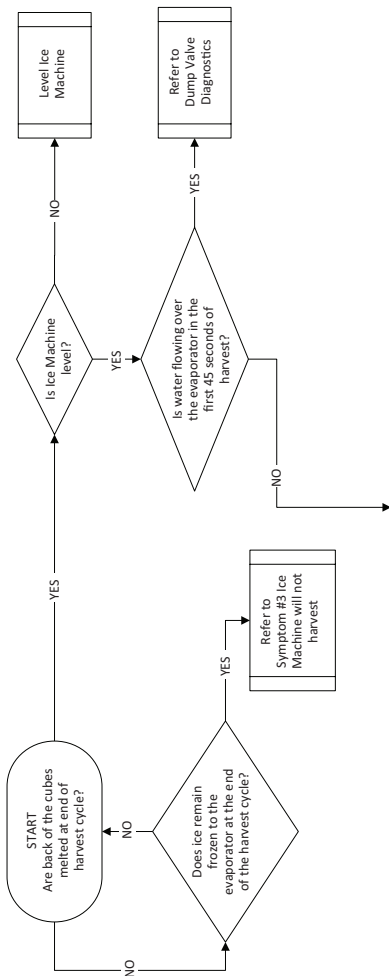
Ice Machine Will Not Harvest – Freeze Cycle is Normal and ice Cubes Are Not Melted After Harvest

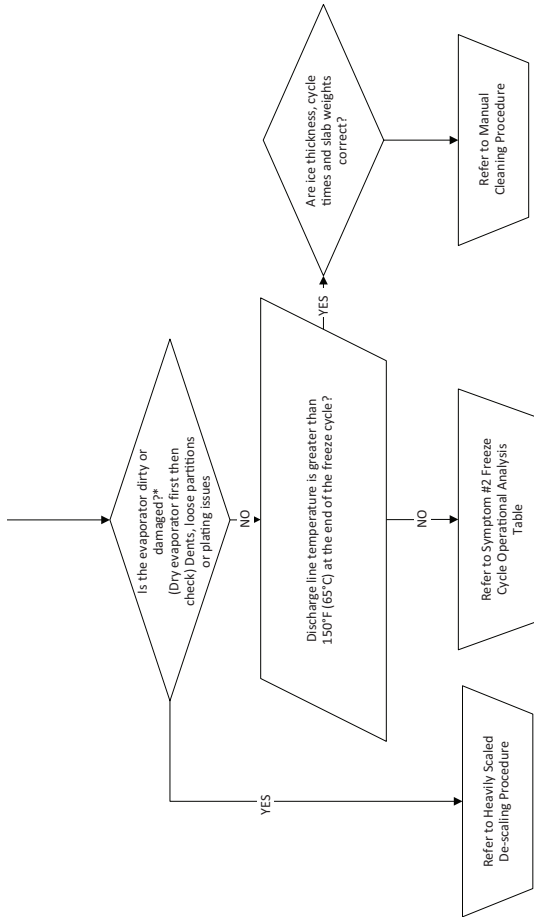




SYMPTOM #4

Ice Machine Will Not Harvest – Freeze Cycle Is Normal and Ice Cubes Are Not Melted After Harvest





*A damaged evaporator may not be repairable. For example: the top molding assembly is replaceable however the side moldings and/or the evaporator grid is not repairable.

THIS PAGE INTENTIONALLY LEFT BLANK

Component Check Procedures

Main Fuse

Function

The control board fuse stops ice machine operation if electrical components fail causing high amp draw.

Specifications

- The main fuse is 250 Volt, 3.15 amp.

Warning

High (line) voltage is applied to the control board at all times. Removing the control board fuse or cycling the toggle switch Off/On will not remove the power supplied to the control board.

Check Procedure

1. If the curtain light is on with the water curtain closed, the fuse is good.

Warning

Disconnect electrical power to the entire ice machine before proceeding.

2. Remove the fuse. Check the resistance across the fuse with an ohmmeter.

Reading	Result
Open (OL)	Replace fuse
Closed (O)	Fuse is good

Bin Switch

Function

Bin switch operation is controlled by the movement of the water curtain. The bin switch has two main functions:

1. Terminating the harvest cycle and returning the ice machine to the freeze cycle.

This occurs when the bin switch is opened and closed again within 30 seconds of opening during the harvest cycle.

2. Automatic ice machine shut-off.

If the storage bin is full at the end of a harvest cycle, the sheet of cubes fails to clear the water curtain and holds it down. After the water curtain is held down for 30 seconds, the ice machine shuts off.

The ice machine remains off until enough ice is removed from the storage bin to allow the sheet of cubes to drop clear of the water curtain. As the water curtain swings back to the operating position, the bin switch closes and the ice machine restarts.

Important

The water curtain must be installed (bin switch closed) to start ice making.

Check Procedure

1. Cycle the toggle switch OFF.
2. Watch the curtain light on the control board.
3. Move the water curtain upward, toward the evaporator. The bin switch must close. The curtain light "on" indicates the bin switch has closed properly.
4. Move the water curtain away from the evaporator. The bin switch must open. The curtain light "off" indicates the bin switch has opened properly.

Ohm Test

1. Disconnect the bin switch wires from the control board.
2. Connect an ohmmeter to the disconnected bin switch.
3. Cycle the bin switch open and closed numerous times by opening and closing the water curtain.

NOTE: To prevent misdiagnosis:

- Always use the water curtain magnet to cycle the switch (a larger or smaller magnet will affect switch operation).
- Watch for consistent readings when the bin switch is cycled open and closed (bin switch failure could be erratic).

Float Switch

Function

Open and close to indicate to the control board the level of water in the water trough.

Specifications

Normally closed, float operated magnetic reed switch.

The float switch contacts are closed in the down position. When water raises the float to the up position the magnet in the float opens the contacts.

Check Procedure

The ice machine uses two float switches.

Ice Thickness Float - Indicates the water level has been reached.

Harvest Float - Indicates a harvest cycle needs to be initiated.

Initial testing can be performed by viewing the control board light(s) while raising and lowering the float. The corresponding control board light must turn on and off when the float is raised and lowered.

Harvest Float Switch:

- A. The light must be on in the up position.
- B. The light must be off in the down position.

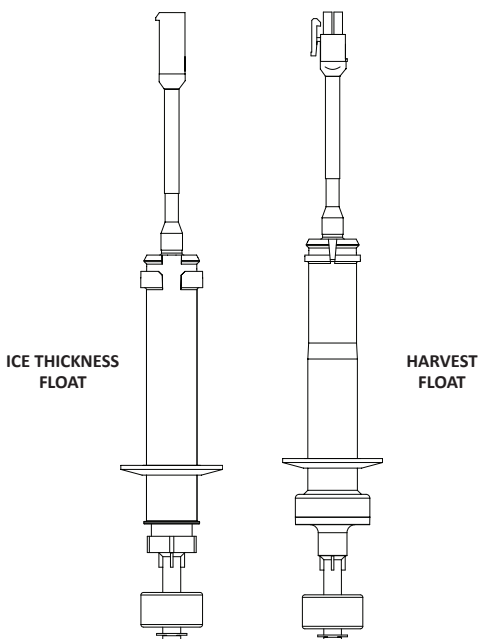
Ice Thickness Float Switch:

- A. The light must be off in the down position.
- B. The light must be on in the up position.

If the control board light does not respond to the float, proceed with Step 1 below.

1. Disconnect power to the ice machine and pull the float switch and connector through the ice machine base and disconnect.
2. Attach an ohm meter lead to each float switch wire.
3. Place the float in the down position - The float switch must be closed.
4. Place the float in the up position - The float switch must be open.
5. If the float tests good, ohm the interconnecting wires to the control board and inspect connectors.

NOTE: Make adjustments with the ice machine in the off position. Making adjustments during the freeze cycle may produce an initial sheet of ice that is thicker than future cycles.



Compressor Electrical Diagnostics

The compressor does not start or will trip repeatedly on overload.

Check Resistance (Ohm) Values

NOTE: Compressor windings can have very low ohm values. Use a properly calibrated meter.

Perform the resistance test after the compressor cools. The compressor dome should be cool enough to touch (below 120°F/49°C) to ensure that the overload is closed and the resistance readings will be accurate.

Single Phase Compressors

1. Disconnect power and remove the wires from the compressor terminals.
2. The resistance values between C and S and between C and R, when added together should equal the resistance value between S and R.
3. If the overload is open, there will be a resistance reading between S and R, and open readings between C and S and between C and R. Allow the compressor to cool, then check the readings again.

Check Motor Windings to Ground

Check continuity between all three terminals and the compressor shell or copper refrigeration line. Scrape metal surface to get good contact. If continuity is present, the compressor windings are grounded and the compressor should be replaced.

To determine if the compressor is seized, check the amp draw while the compressor is trying to start.

Compressor Drawing Locked Rotor

The two likely causes of this are:

- Defective starting component
- Mechanically seized compressor

To determine which you have:

1. Install high and low side gauge.
2. Try to start the compressor.
3. Watch the pressures closely.
 - If the pressures do not move, the compressor is seized. Replace the compressor.
 - If the pressures move, the compressor is turning slowly and is not seized. Check the start components.

Compressor Drawing High Amps

The continuous amperage draw on start-up should not be near the maximum fuse size indicated on the serial tag.

The wiring must be correctly sized to minimize voltage drop at compressor start-up. The voltage when the compressor is trying to start must be within $\pm 10\%$ of the nameplate voltage.

PTCR

The PTCR allows current to flow through the start winding at compressor startup. Current flow heats the ceramic discs in the PTCR. The electrical resistance increases with temperature and stops all except a trickle of current flow through the start winding. The small flow of current keeps the PTCR hot (260°F/127°C) and the start winding out of the circuit.

The PTCR must be cooled before attempting to start the compressor, otherwise the PTCR will heat up too quickly and stop current flow through the start winding before the compressor motor reaches full speed.

Warning

Disconnect electrical power to the entire ice machine at the building electrical disconnect box before proceeding.

NOTE: If a PTCR is dropped internal damage can occur to the ceramic PTCR discs. The ceramic disc can chip and cause arcing which leads to PTCR failure. Since there is no way to open the PTCR in order to determine if the ceramic disc is chipped or not, it must be discarded when dropped.

PTCR Operation Check

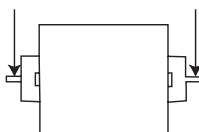
1. Visually inspect the PTCR. Check for signs of physical damage.

NOTE: The PTCR case temperature may reach 210°F (100°C) while the compressor is running. This is normal. Do not change a PTCR just because it is hot.

2. Wait at least 10 minutes for the PTCR to cool to room temperature.
3. Remove the PTCR from the ice machine.
4. Measure the resistance of the PTCR as shown. The resistance reading must be between:

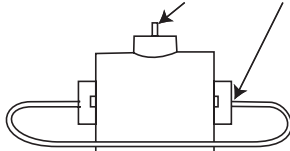
PTCR	Ohm Value	Amp	Part Number
Two Terminal Black Cera-Mite 305C2	60 to 110	12	000014323
Two Terminal Black or Blue Cera-Mite 305C20	24 to 46	10	8505003
Three Terminal Blue or Tan Cera-Mite 305C19	21 to 39	18	8504993
Three Terminal Blue or Tan Cera-Mite 305C09	10 to 20	36	8504913

Measure Resistance at Ends



Two Terminal PTCR

Measure Resistance at Center and End



Leave Jumper Wire Attached

Three Terminal PTCR

Fan Cycle Control

Function

Cycles the fan motor on and off to maintain proper operating discharge pressure.

The fan cycle control closes on an increase, and opens on a decrease in discharge pressure.

Specifications

Model	Cut-In (Close)	Cut-Out (Open)
KT0300 K0350 KT0400 KT0420 K0420 KT0500 K0500 K0600 KT0700 KT1000 KT1700	335 psig \pm 5 2310 kPa \pm 5	275 psig \pm 5 1896 kPa \pm 5
K1000 K1350 K1800	385 psig \pm 5 2654 kPa \pm 5	305 psig \pm 5 2103 kPa \pm 5

Check Procedure

Disconnect electrical power to the ice machine at the electrical service disconnect.

Verify fan motor windings are not open or grounded, and fan spins freely.

Connect manifold gauge to ice machine.

Hook voltmeter in parallel across the fan cycle control, leaving wires attached.

Reconnect electrical power to the ice machine and Cycle the toggle switch On.

Wait until water flows over the evaporator then refer to chart below.

System Pressure:	Reading Should Be:	Fan Should Be:
above cut-in	0 volts	running
below cut-out	line voltage	off

High Pressure Cutout (HPCO) Control

Function

Stops the ice machine if subjected to excessive high-side pressure.

The HPCO control is normally closed, and opens on a rise in discharge pressure.

Specifications

Cut-out: 600 psig ± 10 4137 kPa ± 10

Cut-in: 450 psig ± 10 3103 kPa ± 10

(Must be below 450 psig - 3103 kPa to reset).

Check Procedure

1. Move toggle switch to OFF.
2. Connect manifold gauge.
3. Hook voltmeter in parallel across the HPCO, leaving wires attached.
4. On water-cooled models, close the water service valve to the water condenser inlet. On self-contained air-cooled models, disconnect the fan motor.
5. Move toggle switch to ON.
6. No water or air flowing through the condenser will cause the HPCO control to open because of excessive pressure. Watch the pressure gauge and record the cut-out pressure.

Warning

If discharge pressure exceeds 600 psig - 4137 kPa and the HPCO control does not cut out, cycle the toggle switch Off to stop ice machine operation.

Replace the HPCO control if it:

- Will not reset (below 450 psig - 3103 kPa)
- Does not open at the specified cut-out point

Refrigeration Components

HEAD PRESSURE CONTROL VALVE

Koolaire remote systems require head pressure control valves with special settings. Replace defective head pressure control valves only with “original” Koolaire replacement parts.

Refrigerant Charge Verification

The correct amount of refrigerant (name plate charge) is required to operate correctly at all ambient conditions.

An ice machine with an overcharge or undercharge of refrigerant may function properly at higher ambient temperatures and fails at lower ambient temperatures.

Symptoms of incorrect refrigerant amount are:

- Works during the day and malfunctions at night, and/or fails whenever the outdoor temperature drops.
- A Safety limit is stored in control board memory.

Refrigerant loss and ambient temperature are directly related to each other. As the ambient temperature drops, more refrigerant is stored in the condenser.

When the refrigerant charge and ambient temperature create an undercharge of refrigerant in the freeze cycle, the receiver dip tube will lose it’s liquid seal. Without liquid refrigerant to the TXV, the ice machine fails to make a full sheet of ice in 60 minutes and a safety limit #1 results.

NOTE: When a head pressure control valve is being replaced or refrigerant charge is suspected, verify the refrigerant charge is correct by recovering the refrigerant, weighing and comparing to the nameplate amount. Refer to Refrigerant Recovery/Evacuation for recovery procedures.

FREEZE CYCLE OPERATION ALL MODELS

The head pressure control valve is non adjustable.

At ambient temperatures of approximately 70°F (21°C) or above, refrigerant flows through the valve from the condenser to the receiver inlet. At temperatures below this (or at higher temperatures if it is raining), the head pressure control dome's nitrogen charge closes the condenser port and opens the bypass port from the compressor discharge line.

In this modulating mode, the valve maintains minimum head pressure by building up liquid in the condenser and bypassing discharge gas directly to the receiver.

HARVEST CYCLE OPERATION

Remote Condenser Models

The head pressure control cycles into full bypass due to the pressure drop when the harvest valve opens. Refrigerant flows from the compressor to the evaporator through the harvest valve and the head pressure valve is out of the circuit.

Diagnostics

FREEZE CYCLE - REMOTE CONDENSER

1. Determine if the coil is clean.
2. Determine the air temperature entering the condenser.
3. Determine if the head pressure is high or low in relationship to the outside temperature. (Refer to the proper "Cycle Times/24-Hour Ice Production/Refrigerant Pressure Charts").
4. Determine the temperature of the liquid line entering the receiver by feeling it. This line is normally warm; "body temperature."
5. Using the information gathered, refer to the chart.

NOTE: A head pressure control valve that will not bypass, will function properly with condenser air temperatures of approximately 70°F (21°C) or above. When the temperature drops below 70°F (21°C), the head pressure control valve fails to bypass and the ice machine malfunctions. Lower ambient conditions can be simulated by rinsing the condenser with cool water during the freeze cycle.

Condition	Probable Cause	Corrective Measure
Discharge Pressure - High Liquid Line Temperature - Hot	Valve stuck in bypass	Replace valve
Discharge Pressure - Low Liquid Line Temperature - Cold	Valve not bypassing	Replace valve
Discharge Pressure - Low Liquid Line Temperature - Hot	Ice Machine Low on Charge	Refrigerant Charge Verification

Undercharge Symptoms

- Safety limit #1 or Safety limit #2 in control board memory.
- Harvest cycle suction pressure is low.
- Harvest cycle discharge pressure is low.
- Liquid line entering receiver feels warm to hot in the freeze cycle.

Overcharge Symptoms

- Safety limit #2 in control board memory, a flashing alert and after pressing left arrow Long Harvest is displayed.
- Harvest cycle discharge pressure is normal.
- Freeze cycle time, suction and discharge pressure are normal and the ice machine will not harvest. The sheet of ice cubes show little or no sign of melting when removed from the evaporator after the harvest cycle has been completed. (If the cubes are melted you have a release problem, clean the ice machine).

HARVEST PRESSURE REGULATING VALVE (HPR) SYSTEM REMOTE CONDENSER ONLY

GENERAL

The harvest pressure regulating (HPR) system includes:

- Harvest pressure regulating solenoid valve (HPR solenoid). This is an electrically operated valve which opens when energized, and closes when de-energized.
- Harvest pressure regulating valve (HPR valve). This is a pressure regulating valve which modulates open and closed, based on the refrigerant pressure at the outlet of the valve. The valve closes completely and stops refrigerant flow when the pressure at the outlet rises above the valve setting.
- The harvest pressure regulating valve is not adjustable.

FREEZE CYCLE

The HPR system is not used during the freeze cycle.

The HPR solenoid is closed (de-energized), preventing refrigerant flow into the HPR valve.

HARVEST CYCLE

During the harvest cycle, the check valve in the discharge line prevents refrigerant in the remote condenser and receiver from back feeding into the evaporator and condensing to liquid.

The HPR solenoid is opened (energized) during the harvest cycle, allowing refrigerant gas from the top of the receiver to flow into the HPR valve. The HPR valve modulates open and closed, raising the suction pressure high enough to sustain heat for the harvest cycle, without allowing refrigerant to condense to liquid in the evaporator.

In general, harvest cycle suction pressure rises, then stabilize. Exact pressures vary from model to model. Refer to cycle time/24 hour ice production and operational pressure charts.

HPR DIAGNOSTICS

Steps 1 through 5 can be quickly verified without attaching a manifold gauge set or thermometer.

All questions must have a yes answer to continue the diagnostic procedure.

1. Liquid line warm?
(Body temperature is normal)
If liquid line is cooler than body temperature, refer to head pressure control valve diagnostics.
2. Ice fill pattern normal?
Refer to "Ice Formation Pattern" if ice fill is not normal.
3. Freeze time normal?
(Refer to Cycle Times/Refrigerant Pressures/24 Hour Ice Production Charts).
 - A. Shorter freeze cycles?
Refer to head pressure control valve diagnostics.
 - B. Longer freeze cycles?
Refer to water system checklist, then refer to Refrigeration Diagnostic Procedures.
4. Harvest time is longer than normal and control board indicates safety limit #2?
(Refer to Cycle Times/Refrigerant Pressures/24 Hour Ice Production Charts).
5. Discharge line temperature is greater than 160°F at the end of the freeze cycle?
(Refer to Discharge Line Temperature Analysis)

6. Connect refrigeration manifold gauge set to the access valves on the front of the ice machine. Establish baseline by recording suction and discharge pressure and freeze & harvest cycle times. (Refer to "Freeze Cycle Refrigeration System Operational Analysis Tables" for data collection detail).
7. Freeze cycle Head Pressure is in the range indicated in the cycle time/24 hour ice production and operational pressure chart?
If the head pressure is low refer to head pressure control valve diagnostics.
8. Freeze cycle Suction Pressure normal?
Refer to analyzing suction pressure if suction pressure is high or low.
9. Harvest cycle suction and discharge pressures are lower than indicated in the cycle times/refrigerant pressures/24 hour ice production chart?
Replace Harvest Pressure Regulating solenoid

WATER REGULATING VALVE

Water-Cooled Models Only

FUNCTION

The water regulating valve maintains the freeze cycle discharge pressure.

CHECK PROCEDURE

1. Determine if the head pressure is high or low (refer to cycle time/24 hour ice production and operational pressure chart for the model you are servicing).
2. Verify the condenser water meets specifications.
3. Adjust valve to increase or decrease discharge pressure.
4. Determine the temperature of the liquid line entering the receiver by feeling it. This line is normally warm; body temperature.
5. Using the information gathered, refer to the list for diagnosis.

Problem (Freeze Cycle)

VALVE NOT MAINTAINING DISCHARGE PRESSURE.

- Valve incorrectly set, dirty or defective. Adjust, clean or replace valve.

DISCHARGE PRESSURE EXTREMELY HIGH; LIQUID LINE ENTERING RECEIVER FEELS HOT.

- Water regulating valve incorrectly set or not opening.

DISCHARGE PRESSURE LOW, LIQUID LINE ENTERING RECEIVER FEELS WARM TO HOT.

- Ice machine low on charge - Verify Total System Refrigerant Charge

Refrigerant Recovery/Evacuation

DEFINITIONS

Recover

To remove refrigerant, in any condition, from a system and store it in an external container, without necessarily testing or processing it in any way.

Recycle

To clean refrigerant for re-use by oil separation and single or multiple passes through devices, such as replaceable core filter-driers, which reduce moisture, acidity and particulate matter. This term usually applies to procedures implemented at the field job site or at a local service shop.

Reclaim

To reprocess refrigerant to new product specifications (see below) by means which may include distillation. A chemical analysis of the refrigerant is required after processing to be sure that product specifications are met. This term usually implies the use of processes and procedures available only at a reprocessing or manufacturing facility.

Chemical analysis is the key requirement in this definition. Regardless of the purity levels reached by a reprocessing method, refrigerant is not considered “reclaimed” unless it has been chemically analyzed and meets ARI Standard 700 (latest edition).

New Product Specifications

This means ARI Standard 700 (latest edition). Chemical analysis is required to assure that this standard is met.

REFRIGERANT RE-USE POLICY

Koolaire recognizes and supports the need for proper handling, re-use, and disposal of refrigerants. Koolaire service procedures require recapturing refrigerants, not venting them to the atmosphere.

It is not necessary, in or out of warranty, to reduce or compromise the quality and reliability of your customers' products to achieve this.

Important

Koolaire assumes no responsibility for use of contaminated refrigerant. Damage resulting from the use of contaminated, recovered, or recycled refrigerant is the sole responsibility of the servicing company.

Koolaire approves the use of:

1. New Refrigerant
 - Must be of original nameplate type.
2. Reclaimed Refrigerant
 - Must be of original nameplate type.
 - Must meet ARI Standard 700 (latest edition) specifications.
3. Recovered or Recycled Refrigerant
 - Must be recovered or recycled in accordance with current local, state and federal laws.
 - Must be recovered from and re-used in the same Koolaire product. Re-use of recovered or recycled refrigerant from other products is not approved.
 - Recycling equipment must be certified to ARI Standard 740 (latest edition) and be maintained to consistently meet this standard.

4. Recovered refrigerant must come from a “contaminant-free” system. To decide whether the system is contaminant free, consider:
 - Type(s) of previous failure(s)
 - Whether the system was cleaned, evacuated and recharged properly following failure(s)
 - Whether the system has been contaminated by this failure
 - Compressor motor burnouts and improper past service prevent refrigerant re-use.
 - Refer to “Determining Severity of Contamination” on page 136 to test for contamination.
5. “Substitute” or “Alternative” Refrigerant
 - Must use only Koolaire-approved alternative refrigerants.
 - Must follow Koolaire-published conversion procedures.

RECOVERY AND RECHARGING PROCEDURES

Do not purge refrigerant to the atmosphere. Capture refrigerant using recovery equipment. Follow the manufacturer's recommendations.

Important

Koolaire assumes no responsibility for the use of contaminated refrigerant. Damage resulting from the use of contaminated refrigerant is the sole responsibility of the servicing company.

Important

Replace the liquid line drier before evacuating and recharging. Use only a Koolaire (O.E.M.) liquid line filter drier to prevent voiding the warranty.

CONNECTIONS

1. Suction side of the compressor through the suction service valve.
2. Discharge side of the compressor through the discharge service valve.
3. Liquid side through the liquid line drier.

SELF-CONTAINED RECOVERY/EVACUATION

1. Cycle the toggle switch Off.
2. Install manifold gauge, scale and recovery unit or two-stage vacuum pump and open high, low and charging ports.
3. Perform recovery or evacuation:
 - A. Recovery: Operate the recovery unit as directed by the manufacturer's instructions.
 - B. Evacuation prior to recharging: Pull the system down to 500 microns. Then, allow the pump to run for an additional half hour. Turn off the pump and perform a standing vacuum leak check.
4. Follow the Charging Procedures.

CHARGING PROCEDURES

Important

The charge is critical on all Koolaire machines. Use a scale or a charging cylinder to ensure the proper charge is installed.

1. Cycle the toggle switch Off.
2. Isolate the vacuum pump valve, low side and high side access valves from the refrigeration system. The refrigerant charging access valve remains open.
3. Open the high side manifold gauge valve.
4. Open the refrigerant cylinder and add the proper refrigerant charge (shown on nameplate) through the liquid line drier.

Caution

Damage may occur when charging liquid into the front discharge line access port.

Replacement driers have a Schrader valve built into the inlet of the drier. Filter driers without an access port must be replaced with the current OEM part before recharging the ice machine. All Liquid refrigerant must be added through the liquid line drier access port.

5. Let the system “settle” for 2 to 3 minutes.
6. Cycle the toggle switch On.

NOTE: Manifold gauge set must be removed properly to ensure that no refrigerant contamination or loss occurs.

7. Make sure that all of the vapor in the charging hoses is drawn into the ice machine before disconnecting the charging hoses.
 - A. Run the ice machine in freeze cycle.
 - B. Remove the high side low loss fitting from the liquid line filter drier.
 - C. Open the high and low side valves on the manifold gauge set. Any refrigerant in the lines will be pulled into the low side of the system.
 - D. Allow the pressures to equalize while the ice machine is in the freeze cycle.
 - E. Remove the hoses from the ice machine and install the caps.

REMOTE CONDENSER MODEL PROCEDURE

Refrigerant Recovery/Evacuation

Do not purge refrigerant to the atmosphere. Capture refrigerant using recovery equipment. Follow the manufacturer's recommendations.

Important

Koolaire assumes no responsibility for the use of contaminated refrigerant. Damage resulting from the use of contaminated refrigerant is the sole responsibility of the servicing company.

Important

Replace the liquid line drier after recovering the refrigerant and before evacuating and recharging. Use only a Koolaire (O.E.M.) liquid line filter drier to prevent voiding the warranty.

Important

Recovery/evacuation of a remote system requires connections at four points for complete system evacuation.

MAKE THESE CONNECTIONS:

- Suction side of the compressor through the suction service valve.
- Discharge side of the compressor through the discharge service valve.
- Receiver outlet service valve, which evacuates the area between the check valve in the liquid line and the pump down solenoid.

- Access valve on the discharge line quick-connect fitting, located on the outside of the compressor/evaporator compartment. This connection evacuates the condenser. Without it, the magnetic check valves would close when the pressure drops during evacuation, preventing complete evacuation of the condenser.

NOTE: Koolaire recommends using an access valve core removal and installation tool on the discharge line quick-connect fitting. This permits access valve core removal. This allows for faster evacuation and charging, without removing the manifold gauge hose.

REMOTE CONDENSER RECOVERY/EVACUATION

1. Stop the ice machine.
2. Install manifold gauge set, scale and recovery unit or two-stage vacuum pump.
3. Open high and low side on the manifold gauge set.
4. Perform recovery or evacuation:
 - A. Recovery: Operate the recovery unit as directed by the manufacturer's instructions.
 - B. Evacuation prior to recharging: Pull the system down to 500 microns. Then, allow the pump to run for an additional hour. Turn off the pump and perform a standing vacuum leak check.

NOTE: Check for leaks with an electronic leak detector after charging the ice machine.

5. Follow the Remote Charging Procedures.

REMOTE CHARGING PROCEDURES

1. Close the vacuum pump valve and the low side manifold gauge valve.
2. Open the refrigerant cylinder and add the proper refrigerant charge (shown on nameplate) into the system high side (receiver outlet valve/liquid line drier and/or liquid line quick-connect fitting).
3. If the high side does not take the entire charge, close the high side on the manifold gauge set and start the ice machine. Add the remaining charge through the low side until the machine is fully charged.

NOTE: If an access valve core removal and installation tool is used on any of the access valves, reinstall the cores before disconnecting the access tool and hose.

1. Verify all of the vapor in the charging hoses is drawn into the refrigeration system before disconnecting the charging hoses.
 - A. Run the ice machine in freeze cycle.
 - B. Remove the high side low loss fitting.
 - C. Open the high and low side valves on the manifold gauge set. Any refrigerant in the lines will be pulled into the low side of the system.
 - D. Allow the suction pressures in the refrigeration system and the manifold gauge set to equalize while the ice machine is in the freeze cycle.
 - E. Isolate and remove the low side hose.
 - F. Install access valve caps.

System Contamination Cleanup

This section describes the basic requirements for restoring contaminated systems to reliable service.

Important

Koolaire assumes no responsibility for the use of contaminated refrigerant. Damage resulting from the use of contaminated refrigerant is the sole responsibility of the servicing company.

DETERMINING SEVERITY OF CONTAMINATION

System contamination is generally caused by either moisture or residue from compressor burnout entering the refrigeration system.

Inspection of the refrigerant usually provides the first indication of system contamination. Obvious moisture or an acrid odor in the refrigerant indicates contamination.

If harmful levels of contamination are suspected, perform the following procedure.

1. Remove the refrigerant charge from the ice machine.
2. Remove the compressor from the system.
3. Check the odor and appearance of the oil.
4. Inspect open suction and discharge lines at the compressor for burnout deposits.
5. If no signs of contamination are present, perform an acid oil test to determine the type of cleanup required.

Contamination/Cleanup Chart	
Symptoms/Findings	Required Cleanup Procedure
No symptoms or suspicion of contamination	Normal evacuation/recharging procedure
Moisture/Air Contamination symptoms Refrigeration system open to atmosphere for longer than 15 minutes Refrigeration test kit and/or acid oil test shows contamination No burnout deposits in open compressor lines	Mild contamination cleanup procedure
Mild Compressor Burnout symptoms Oil appears clean but smells acrid Refrigeration test kit or acid oil test shows harmful acid content No burnout deposits in open compressor lines	Mild contamination cleanup procedure
Severe Compressor Burnout symptoms Oil is discolored, acidic, and smells acrid Burnout deposits found in the compressor, lines, and other components	Severe contamination cleanup procedure

CLEANUP PROCEDURE

Mild System Contamination

1. Replace any failed components.
2. If the compressor is good, change the oil.
3. Replace the liquid line drier.

NOTE: If the contamination is from moisture, use heat lamps during evacuation. Position them at the compressor, condenser and evaporator prior to evacuation. Do not position heat lamps too close to plastic components, or they may melt or warp.

4. Follow the normal evacuation procedure, except replace the evacuation step with the following:
 - A. Pull vacuum to 1000 microns. Break the vacuum with dry nitrogen and sweep the system. Pressurize to a minimum of 5 psig.
 - B. Pull vacuum to 500 microns. Break the vacuum with dry nitrogen and sweep the system. Pressurize to a minimum of 5 psig.
 - C. Change the vacuum pump oil.
 - D. Pull vacuum to 500 microns. Run the vacuum pump for 1/2 hour on self-contained models, 1 hour on remotes.

NOTE: You may perform a pressure test as a preliminary leak check. You should use an electronic leak detector after system charging to be sure there are no leaks.

5. Charge the system with the proper refrigerant to the nameplate charge.
6. Operate the ice machine.

SEVERE SYSTEM CONTAMINATION CLEANUP PROCEDURE

1. Remove the refrigerant charge.
2. Remove the compressor and inspect the refrigeration lines. If burnout deposits are found, install a new harvest valve, replace the manifold strainer, TXV and harvest pressure regulating valve.
3. Wipe away any burnout deposits from suction and discharge lines at compressor.
4. Sweep through the open system with dry nitrogen.
5. Install a new compressor and new start components.
6. Install suction line filter-drier in front of compressor.
7. Install an access valve at the inlet of the suction line drier.
8. Install a new liquid line drier.
9. Follow the normal evacuation procedure, except replace the evacuation step with the following:
 - A. Pull vacuum to 1000 microns. Break the vacuum with dry nitrogen and sweep the system. Pressurize to a minimum of 5 psig.
 - B. Change the vacuum pump oil.
 - C. Pull vacuum to 500 microns. Break the vacuum with dry nitrogen and sweep the system. Pressurize to a minimum of 5 psig.
 - D. Change the vacuum pump oil.
 - E. Pull vacuum to 500 microns. Run the vacuum pump for 1 additional hour.

NOTE: You may perform a standing vacuum test to make a preliminary leak check. You should use an electronic leak detector after system charging to be sure there are no leaks.

10. Charge the system with the proper refrigerant to the nameplate charge.
11. Operate the ice machine for one hour. Then, check the pressure drop across the suction line filter-drier.
 - A. If the pressure drop is less than 1 psig the filter-drier should be adequate for complete cleanup.
 - B. If the pressure drop exceeds 1 psig, change the suction line filter-drier and the liquid line drier. Repeat until the pressure drop is acceptable.
12. Operate the ice machine for 48 – 72 hours. Replace the suction line and liquid line drier if necessary.
13. Follow normal evacuation procedures.

LIQUID LINE FILTER DRIERS

The filter-driers used on Koolaire ice machines are manufactured to Koolaire specifications and have an access fitting for charging with refrigerant. A Koolaire drier also has dirt-retaining filtration, with fiberglass filters on both the inlet and outlet ends. This is very important because ice machines have a back-flushing action that takes place during every Harvest cycle.

A Koolaire filter-drier has high moisture and acid removal capability.

The size of the filter-drier is important. The refrigerant charge is critical. Using an improperly sized filter-drier will cause the ice machine to be improperly charged with refrigerant.

Important

Driers are covered as a warranty part. The drier must be replaced any time the system is opened for repairs.

REPLACING PRESSURE CONTROLS WITHOUT REMOVING REFRIGERANT CHARGE

This procedure reduces repair time and cost. Use it when any of the following components require replacement, and the refrigeration system is operational and leak-free.

- Fan cycle control
 - High pressure cut-out control
 - High side access valve
 - Low side access valve
1. Disconnect power to the ice machine.
 2. Follow all manufacturers' instructions supplied with the pinch-off tool. Position the pinch-off tool around the tubing as far from the pressure control as feasible. (See the figure on next page.) Clamp down on the tubing until the pinch-off is complete.

Warning

Do not unsolder a defective component. Cut it out of the system. Do not remove the pinch-off tool until the new component is securely in place.

3. Cut the tubing of the defective component with a small tubing cutter.
4. Solder the replacement component in place. Allow the solder joint to cool.
5. Remove the pinch-off tool.
6. Re-round the tubing. Position the flattened tubing in the proper hole in the pinch off tool. Tighten the wing nuts until the block is tight and the tubing is rounded.

NOTE: The pressure controls will operate normally once the tubing is re-rounded. Tubing may not re-round 100%.

Refrigerant Amount

KT MODELS

NOTE: All models charged with R410A refrigerant.

Nameplate information overrides all data in this chart.

Model	Air-Cooled	Water-Cooled	Remote	51' to 100' Line sets*
KT0300 60 Hz	15 oz 425 g	N/A	N/A	N/A
KT0300 50 Hz	17 oz 482 g	N/A	N/A	N/A
KT0400 60 Hz	18 oz 510 g	14 oz 397 g	N/A	N/A
KT0400 50 Hz	21 oz 595 g	N/A	N/A	N/A
KT0420 60 Hz	16 oz 454 g	14 oz 397 g	N/A	N/A
KT0420 50 Hz	16 oz 454 g	N/A	N/A	N/A
KT0500 60 Hz	18 oz 510 g	18 oz 510 g	N/A	N/A
KT0500 50 Hz	18 oz 510 g	N/A	N/A	N/A
KT0700 60 Hz	22 oz 624 g	18 oz 510 g	N/A	N/A
KT0700 50 Hz	22 oz 624 g	N/A	N/A	N/A
KT1000 60 Hz	28 oz 794 g	26 oz 624 g	7 lbs 3.2 kg	2 lbs 907 g
KT1000 50 Hz	28 oz 794 g	N/A	N/A	N/A
KT1700 60 Hz	42 oz 1191 g	34 oz 964 g	7 lbs 3.2 kg	2 lbs 907 g
KT1700 50 Hz	42 oz 1191 g	N/A	N/A	N/A

K MODELS

NOTE: All models charged with R410A refrigerant.

Nameplate information overrides all data in this chart.

Model	Air-Cooled	Water-Cooled	Remote	51' to 100' Line sets*
K0250 60 Hz	15 oz 425 g	N/A	N/A	N/A
K0250 50 Hz	17 oz 482 g	N/A	N/A	N/A
K0350 60 Hz	18 oz 510 g	14 oz 397 g	N/A	N/A
K0350 50 Hz	21 oz 595 g	14 oz 397 g	N/A	N/A
K0420 60 Hz and 50 Hz	16 oz 454 g	14 oz 397 g	N/A	N/A
K0500 60 Hz and 50 Hz	18 oz 510 g	18 oz 510 g	N/A	N/A
K0600 60 Hz and 50 Hz	24 oz 680 g	18 oz 510 g	N/A	N/A
K1000 60 Hz	28 oz 794 g	24 oz 680 g	7 lbs 5 oz 3.4 kg	2 lbs 907 g
K1000 50 Hz	44 oz 1247 g	24 oz 680 g	7 lbs 5 oz 3.4 kg	2 lbs 907 g
K1350 60 Hz	42 oz 1191 g	32 oz 907 g	11 lbs 5 oz 5.2 kg	2 lbs 907 g
K1350 50 Hz	42 oz 1191 g	N/A	11 lbs 5 oz 5.2 kg	2 lbs 907 g
K1800 60 Hz and 50 Hz	46 oz 1304 g	N/A	12 lbs 5.4 kg	2 lbs 907 g
* Additional amount of refrigerant to be added for remote condenser with line sets that are 51' to 100' in length				

THIS PAGE INTENTIONALLY LEFT BLANK

Charts

Cycle Times, 24 Hr. Ice Production and Refrigerant Pressure Charts

These charts are used as guidelines to verify correct ice machine operation.

Accurate collection of data is essential to obtain the correct diagnosis.

- Production and cycle times are for dice cube - Half dice cube cycle times can be 1-2 minutes faster depending on model and ambient temperature.
- Ice production checks that are within 10% of the chart are considered normal. This is due to variances in water and air temperature. Actual temperatures will seldom match the chart exactly.
- Refer to “Operational Analysis Chart” for the list of data that must be collected for refrigeration diagnostics.
- Zero out manifold gauge set before obtaining pressure readings to avoid mis-diagnosis.
- Discharge and suction pressure are highest at the beginning of the cycle. Suction pressure will drop throughout the cycle. Verify the pressures are within the range indicated.
- Record beginning of freeze cycle suction pressure one minute after the water pump energizes.

K0250A SELF-CONTAINED AIR-COOLED

NOTE: These characteristics may vary depending on operating conditions.

CYCLE TIMES

Freeze Time + Harvest Time = Total Cycle Time

Air Temp. Entering Condenser °F/°C	Freeze Time			Harvest Time
	Water Temperature °F/°C			
	50/10	70/21	90/32	
70/21	9.3-11.5	10.8-12.9	12.3-14.6	1.0-2.5
80/27	10.6-12.6	12.3-14.6	13.5-16.0	
90/32	11.8-14.0	13.9-16.4	15.0-17.7	
100/38	13.2-15.7	14.6-17.3	16.2-19.2	
110/43	15.0-17.7	15.8-18.7	17.7-20.9	

Times in minutes

24 HOUR ICE PRODUCTION

Air Temp. Entering Condenser °F/°C	Water Temperature °F/°C		
	50/10	70/21	90/32
70/21	310	280	250
80/27	285	250	230
90/32	260	225	210
100/38	235	215	195
110/43	210	200	180

Based on average ice slab weight of 3.40 – 3.90 lb (1.54 – 1.79 kg)
230/50/1 production is approximately 12% lower than 230/60/1.

OPERATING PRESSURES

Air Temp. Entering Condenser °F/°C	Freeze Cycle		Harvest Cycle	
	Discharge Pressure PSIG	Suction Pressure PSIG	Discharge Pressure PSIG	Suction Pressure PSIG
50/10	300-335	70-38	160-180	150-175
70/21	310-340	75-40	180-200	150-175
80/27	315-360	80-42	185-210	150-175
90/32	320-375	90-44	190-215	150-175
100/38	420-510	100-49	300-330	200-250
110/43	450-540	120-52	355-370	270-290

Suction pressure drops gradually throughout the freeze cycle

KT0300A SELF-CONTAINED AIR-COOLED

NOTE: These characteristics may vary depending on operating conditions.

CYCLE TIMES

Freeze Time + Harvest Time = Total Cycle Time

Air Temp. Entering Condenser °F/°C	Freeze Time			Harvest Time
	Water Temperature °F/°C			
	50/10	70/21	90/32	
70/21	13.3-15.5	16.0-18.6	18.1-21.0	1.0-2.5
80/27	15.7-18.2	18.1-21.0	19.8-22.9	
90/32	17.3-20.1	19.3-22.4	21.8-25.2	
100/38	19.3-22.4	21.3-24.6	23.6-27.3	
110/43	21.8-25.2	23.0-26.6	25.7-29.7	

Times in minutes

24 HOUR ICE PRODUCTION

Air Temp. Entering Condenser °F/°C	Water Temperature °F/°C		
	50/10	70/21	90/32
70/21	330	280	250
80/27	285	250	230
90/32	260	230	210
100/38	235	215	195
110/43	210	200	180

Based on average ice slab weight of 3.40 – 3.90 lb (1.54 – 1.77 kg)
230/50/1 production is approximately 12% lower than 230/60/1.

OPERATING PRESSURES

Air Temp. Entering Condenser °F/°C	Freeze Cycle		Harvest Cycle	
	Discharge Pressure PSIG	Suction Pressure PSIG	Discharge Pressure PSIG	Suction Pressure PSIG
50/10	300-335	70-38	160-180	150-175
70/21	310-340	75-40	180-200	150-175
80/27	315-360	80-42	185-210	150-175
90/32	320-375	90-44	190-215	150-175
100/38	420-510	100-49	300-330	200-250
110/43	450-540	120-52	355-370	270-290

Suction pressure drops gradually throughout the freeze cycle

K0350A SELF-CONTAINED AIR-COOLED

NOTE: These characteristics may vary depending on operating conditions.

CYCLE TIMES

Freeze Time + Harvest Time = Total Cycle Time

Air Temp. Entering Condenser °F/°C	Freeze Time			Harvest Time
	Water Temperature °F/°C			
	50/10	70/21	90/32	
70/21	11.6-13.5	12.7-14.8	14.0-16.3	1.0-2.5
80/27	12.5-14.5	14.0-16.3	15.1-17.5	
90/32	13.6-15.8	14.8-17.2	15.7-18.2	
100/38	14.8-17.2	15.4-17.9	16.6-19.3	
110/43	15.7-18.2	16.3-18.9	17.0-19.7	

Times in minutes

24 HOUR ICE PRODUCTION

Air Temp. Entering Condenser °F/°C	Water Temperature °F/°C		
	50/10	70/21	90/32
70/21	375	345	315
80/27	350	315	295
90/32	325	300	285
100/38	300	290	270
110/43	285	275	265

Based on average ice slab weight of 3.40 – 3.90 lb (1.54 – 1.79 kg)
230/50/1 production is approximately 12% lower than 230/60/1.

OPERATING PRESSURES

Air Temp. Entering Condenser °F/°C	Freeze Cycle		Harvest Cycle	
	Discharge Pressure PSIG	Suction Pressure PSIG	Discharge Pressure PSIG	Suction Pressure PSIG
50/10	260-320	55-32	130-200	90-140
70/21	275-340	60-33	150-200	100-140
80/27	285-395	65-34	170-230	105-165
90/32	335-410	70-35	190-250	110-175
100/38	400-500	80-40	280-340	160-220
110/43	450-520	85-42	320-360	190-235

Suction pressure drops gradually throughout the freeze cycle

K0350W SELF-CONTAINED WATER-COOLED

NOTE: These characteristics may vary depending on operating conditions.

CYCLE TIMES

Freeze Time + Harvest Time = Total Cycle Time

Air Temp. Around Ice Machine °F/°C	Freeze Time			Harvest Time
	Water Temperature °F/°C			
	50/10	70/21	90/32	
70/21	11.4-13.3	12.3-14.3	13.1-15.3	1.0-2.5
80/27	11.6-13.5	12.5-14.5	13.3-15.5	
90/32	11.7-13.7	14.6-16.1	13.6-15.8	
100/38	11.9-13.9	12.9-15.0	13.8-16.1	
110/43	12.1-14.1	13.8-16.1	14.0-16.3	

Times in minutes

24 HOUR ICE PRODUCTION

Air Temp. Around Ice Machine °F/°C	Water Temperature °F/°C		
	50/10	70/21	90/32
70/21	380	355	335
80/27	375	350	330
90/32	370	340	325
100/38	365	330	320
110/43	360	320	315

Based on average ice slab weight of 3.40 – 3.90 lb (1.54 – 1.79 kg)
Water regulating valve set to maintain 320 PSIG discharge pressure

Condenser Water usage per 100 lbs ice = 170 gal (45 kg = 644 L)
230/50/1 production is approximately 12% lower than 230/60/1.

OPERATING PRESSURES

Air Temp. Around Ice Machine °F/°C	Freeze Cycle		Harvest Cycle	
	Discharge Pressure PSIG	Suction Pressure PSIG	Discharge Pressure PSIG	Suction Pressure PSIG
50/10	315-330	60-34	150-210	110-150
70/21	315-330	60-34	150-210	110-150
80/27	315-330	60-34	150-210	110-150
90/32	315-330	60-34	150-210	110-150
100/38	315-335	60-34	150-210	110-150
110/43	315-340	65-36	150-210	110-150

Suction pressure drops gradually throughout the freeze cycle

KT0400A SELF-CONTAINED AIR-COOLED

NOTE: These characteristics may vary depending on operating conditions.

CYCLE TIMES

Freeze Time + Harvest Time = Total Cycle Time

Air Temp. Entering Condenser °F/°C	Freeze Time			Harvest Time
	Water Temperature °F/°C			
	50/10	70/21	90/32	
70/21	9.6-11.3	10.4-12.2	12.5-14.5	1.0-2.5
80/27	10.2-11.9	11.2-13.1	14.0-16.3	
90/32	11.1-12.9	12.7-14.8	14.8-17.2	
100/38	12.1-14.1	14.3-16.6	16.3-18.9	
110/43	14.0-16.3	15.7-18.2	17.0-19.7	

Times in minutes

24 HOUR ICE PRODUCTION

Air Temp. Entering Condenser °F/°C	Water Temperature °F/°C		
	50/10	70/21	90/32
70/21	440	410	350
80/27	420	385	315
90/32	390	345	300
100/38	360	310	275
110/43	315	285	265

Based on average ice slab weight of 3.40 – 3.90 lb (1.54 – 1.77 kg)
230/50/1 production is approximately 12% lower than 230/60/1.

OPERATING PRESSURES

Air Temp. Entering Condenser °F/°C	Freeze Cycle		Harvest Cycle	
	Discharge Pressure PSIG	Suction Pressure PSIG	Discharge Pressure PSIG	Suction Pressure PSIG
50/10	260-320	55-32	130-200	90-140
70/21	275-340	60-33	150-200	100-140
80/27	285-395	65-34	170-230	105-165
90/32	335-410	70-35	190-250	110-175
100/38	400-500	80-40	280-340	160-220
110/43	450-520	85-42	320-360	190-235

Suction pressure drops gradually throughout the freeze cycle

KT0400W SELF-CONTAINED WATER-COOLED

NOTE: These characteristics may vary depending on operating conditions.

CYCLE TIMES

Freeze Time + Harvest Time = Total Cycle Time

Air Temp. Around Ice Machine °F/°C	Freeze Time			Harvest Time
	Water Temperature °F/°C			
	50/10	70/21	90/32	
70/21	10.0-11.7	9.9-11.6	11.7-13.7	1.0-2.5
80/27	10.9-12.7	11.7-13.7	12.5-14.5	
90/32	11.1-12.9	12.1-14.1	12.7-14.8	
100/38	11.2-13.1	12.7-14.8	13.8-16.1	
110/43	11.7-13.7	13.3-15.5	14.6-16.9	

Times in minutes

24 HOUR ICE PRODUCTION

Air Temp. Around Ice Machine °F/°C	Water Temperature °F/°C		
	50/10	70/21	90/32
70/21	425	430	370
80/27	395	370	350
90/32	390	360	345
100/38	385	345	320
110/43	370	330	305

Based on average ice slab weight of 3.40 – 3.90 lb (1.54 – 1.77 kg)
Water regulating valve set to maintain 320 PSIG discharge pressure

Condenser Water usage per 100 lbs ice = 170 gal (45 kg = 644 L)
230/50/1 production is approximately 12% lower than 230/60/1.

OPERATING PRESSURES

Air Temp. Around Ice Machine °F/°C	Freeze Cycle		Harvest Cycle	
	Discharge Pressure PSIG	Suction Pressure PSIG	Discharge Pressure PSIG	Suction Pressure PSIG
50/10	315-330	60-34	150-210	110-150
70/21	315-330	60-34	150-210	110-150
80/27	315-330	60-34	150-210	110-150
90/32	315-330	60-34	150-210	110-150
100/38	315-335	60-34	150-210	110-150
110/43	315-340	65-36	150-210	110-150

Suction pressure drops gradually throughout the freeze cycle

K0420A SELF-CONTAINED AIR-COOLED

NOTE: These characteristics may vary depending on operating conditions.

CYCLE TIMES

Freeze Time + Harvest Time = Total Cycle Time

Air Temp. Entering Condenser °F/°C	Freeze Time			Harvest Time
	Water Temperature °F/°C			
	50/10	70/21	90/32	
70/21	11.7-13.7	12.5-14.5	13.6-15.8	1.0-2.5
80/27	12.9-15.0	13.8-16.1	15.4-17.9	
90/32	14.0-16.3	14.6-16.9	16.6-19.3	
100/38	15.7-18.2	17.0-19.7	18.1-21.0	
110/43	17.7-20.5	18.9-21.9	20.3-23.5	

Times in minutes

24 HOUR ICE PRODUCTION

Air Temp. Entering Condenser °F/°C	Water Temperature °F/°C		
	50/10	70/21	90/32
70/21	370	350	325
80/27	340	320	290
90/32	315	305	270
100/38	285	265	250
110/43	255	240	225

Based on average ice slab weight of 3.40 – 3.90 lb (1.54 – 1.79 kg)
230/50/1 production is approximately 12% lower than 230/60/1.

OPERATING PRESSURES

Air Temp. Entering Condenser °F/°C	Freeze Cycle		Harvest Cycle	
	Discharge Pressure PSIG	Suction Pressure PSIG	Discharge Pressure PSIG	Suction Pressure PSIG
50/10	275-360	60-31	180-220	130-160
70/21	290-380	65-32	200-220	140-160
80/27	300-390	65-33	215-235	150-170
90/32	330-400	70-34	235-245	160-180
100/38	400-500	80-34	355-370	240-270
110/43	430-520	95-34	370-375	255-275

Suction pressure drops gradually throughout the freeze cycle

K0420W SELF-CONTAINED WATER-COOLED

NOTE: These characteristics may vary depending on operating conditions.

CYCLE TIMES

Freeze Time + Harvest Time = Total Cycle Time

Air Temp. Around Ice Machine °F/°C	Freeze Time			Harvest Time
	Water Temperature °F/°C			
	50/10	70/21	90/32	
70/21	11.7-13.7	11.2-15.2	12.7-13.5	1.0-2.5
80/27	13.1-14.0	14.6-15.5	12.9-17.7	
90/32	13.3-14.2	11.7-15.8	13.1-18.1	
100/38	13.1-14.9	15.1-17.5	17.3-18.4	
110/43	14.0-15.0	15.4-16.4	17.7-18.8	

Times in minutes

24 HOUR ICE PRODUCTION

Air Temp. Around Ice Machine °F/°C	Water Temperature °F/°C		
	50/10	70/21	90/32
70/21	370	310	275
80/27	335	305	270
90/32	330	300	265
100/38	320	295	260
110/43	315	290	255

Based on average ice slab weight of 3.40 – 3.90 lb (1.54 – 1.79 kg)
Water regulating valve set to maintain 320 PSIG discharge pressure

Condenser Water usage per 100 lbs ice = 170 gal (45 kg = 644 L)
230/50/1 production is approximately 12% lower than 230/60/1.

OPERATING PRESSURES

Air Temp. Around Ice Machine °F/°C	Freeze Cycle		Harvest Cycle	
	Discharge Pressure PSIG	Suction Pressure PSIG	Discharge Pressure PSIG	Suction Pressure PSIG
50/10	325-335	70-31	155-230	110-165
70/21	325-335	70-31	155-235	110-170
80/27	325-335	70-31	160-240	110-170
90/32	325-335	75-31	160-245	110-175
100/38	325-345	80-31	160-245	115-180
110/43	325-350	80-31	160-245	115-180

Suction pressure drops gradually throughout the freeze cycle

KT0420A SELF-CONTAINED AIR-COOLED

NOTE: These characteristics may vary depending on operating conditions.

CYCLE TIMES

Freeze Time + Harvest Time = Total Cycle Time

Air Temp. Entering Condenser °F/°C	Freeze Time			Harvest Time
	Water Temperature °F/°C			
	50/10	70/21	90/32	
70/21	9.6-11.3	10.4-12.2	12.5-14.5	1.0-2.5
80/27	10.2-11.9	11.2-13.1	14.0-16.3	
90/32	11.1-12.9	12.5-14.5	14.8-17.2	
100/38	12.1-14.1	14.3-16.6	16.3-18.9	
110/43	14.0-16.3	15.7-18.2	17.0-19.7	

Times in minutes

24 HOUR ICE PRODUCTION

Air Temp. Entering Condenser °F/°C	Water Temperature °F/°C		
	50/10	70/21	90/32
70/21	440	410	350
80/27	420	385	315
90/32	390	350	300
100/38	360	310	275
110/43	315	285	265

Based on average ice slab weight of 3.40 – 3.90 lb (1.54 – 1.77 kg)
230/50/1 production is approximately 12% lower than 230/60/1.

OPERATING PRESSURES

Air Temp. Entering Condenser °F/°C	Freeze Cycle		Harvest Cycle	
	Discharge Pressure PSIG	Suction Pressure PSIG	Discharge Pressure PSIG	Suction Pressure PSIG
50/10	275-360	60-31	180-220	130-160
70/21	290-380	65-32	200-220	140-160
80/27	300-390	65-33	215-235	150-170
90/32	330-400	70-34	235-245	160-180
100/38	400-500	80-34	355-370	240-270
110/43	430-520	95-34	370-375	255-275

Suction pressure drops gradually throughout the freeze cycle

KT0420W SELF-CONTAINED WATER-COOLED

NOTE: These characteristics may vary depending on operating conditions.

CYCLE TIMES

Freeze Time + Harvest Time = Total Cycle Time

Air Temp. Around Ice Machine °F/°C	Freeze Time			Harvest Time
	Water Temperature °F/°C			
	50/10	70/21	90/32	
70/21	10.0-11.7	9.9-11.6	11.7-13.7	1.0-2.5
80/27	10.9-12.7	11.7-13.7	12.5-14.5	
90/32	11.1-12.9	12.1-14.1	12.7-14.8	
100/38	11.2-13.1	12.7-14.8	13.8-16.1	
110/43	11.7-13.7	13.3-15.5	14.6-16.9	

Times in minutes

24 HOUR ICE PRODUCTION

Air Temp. Around Ice Machine °F/°C	Water Temperature °F/°C		
	50/10	70/21	90/32
70/21	425	430	370
80/27	395	370	350
90/32	390	360	345
100/38	385	345	320
110/43	370	330	305

Based on average ice slab weight of 3.40 – 3.90 lb (1.54 – 1.77 kg)
Water regulating valve set to maintain 330 PSIG discharge pressure

Condenser Water usage per 100 lbs ice = 170 gal (45 kg = 644 L)
230/50/1 production is approximately 12% lower than 230/60/1.

OPERATING PRESSURES

Air Temp. Around Ice Machine °F/°C	Freeze Cycle		Harvest Cycle	
	Discharge Pressure PSIG	Suction Pressure PSIG	Discharge Pressure PSIG	Suction Pressure PSIG
50/10	325-335	70-31	155-230	110-165
70/21	325-335	70-31	155-235	110-170
80/27	325-335	70-31	160-240	110-170
90/32	325-335	75-31	160-245	110-175
100/38	325-345	80-31	160-245	115-180
110/43	325-350	80-31	160-245	115-180

Suction pressure drops gradually throughout the freeze cycle

K0500A SELF-CONTAINED AIR-COOLED

NOTE: These characteristics may vary depending on operating conditions.

CYCLE TIMES

Freeze Time + Harvest Time = Total Cycle Time

Air Temp. Entering Condenser °F/°C	Freeze Time			Harvest Time
	Water Temperature °F/°C			
	50/10	70/21	90/32	
70/21	11.9-13.6	14.1-16.1	15.7-17.9	1.0-2.5
80/27	13.6-15.5	15.1-17.2	16.6-19.0	
90/32	14.9-17.0	15.5-17.7	17.7-20.2	
100/38	16.6-19.0	18.3-20.9	20.2-23.1	
110/43	18.9-21.5	19.5-22.3	20.6-23.5	

Times in minutes

24 HOUR ICE PRODUCTION

Air Temp. Entering Condenser °F/°C	Water Temperature °F/°C		
	50/10	70/21	90/32
70/21	495	425	385
80/27	440	400	365
90/32	405	390	345
100/38	365	335	305
110/43	325	315	300

Based on average ice slab weight of 4.6 – 5.2 lb (2.1 – 2.36 kg)
230/50/1 production is approximately 12% lower than 230/60/1.

OPERATING PRESSURES

Air Temp. Entering Condenser °F/°C	Freeze Cycle		Harvest Cycle	
	Discharge Pressure PSIG	Suction Pressure PSIG	Discharge Pressure PSIG	Suction Pressure PSIG
	50/10	260-325	60-36	140-175
70/21	270-340	65-37	150-185	105-130
80/27	275-380	65-37	165-200	110-150
90/32	340-400	75-38	190-220	130-160
100/38	380-500	80-42	280-320	180-235
110/43	440-520	80-44	290-330	185-240

Suction pressure drops gradually throughout the freeze cycle

K0500W SELF-CONTAINED WATER-COOLED

NOTE: These characteristics may vary depending on operating conditions.

CYCLE TIMES

Freeze Time + Harvest Time = Total Cycle Time

Air Temp. Around Ice Machine °F/°C	Freeze Time			Harvest Time
	Water Temperature °F/°C			
	50/10	70/21	90/32	
70/21	10.7-13.7	13.6-15.5	15.7-17.7	1.0-2.5
80/27	12.0-13.8	13.7-15.7	15.5-17.9	
90/32	12.4-14.3	13.9-15.9	16.4-18.7	
100/38	12.7-14.6	14.5-16.5	16.6-19.0	
110/43	13.1-15.0	14.7-16.8	16.9-19.3	

Times in minutes

24 HOUR ICE PRODUCTION

Air Temp. Around Ice Machine °F/°C	Water Temperature °F/°C		
	50/10	70/21	90/32
70/21	545	440	390
80/27	490	435	385
90/32	475	430	370
100/38	465	415	365
110/43	455	410	360

Based on average ice slab weight of 4.6 – 5.2 lb (2.1– 2.4 kg)
Water regulating valve set to maintain 330 PSI discharge pressure
Condenser Water usage per 100 lbs ice = 160 gal (45 kg = 606 L)
230/50/1 production is approximately 12% lower than 230/60/1.

OPERATING PRESSURES

Air Temp. Around Ice Machine °F/°C	Freeze Cycle		Harvest Cycle	
	Discharge Pressure PSIG	Suction Pressure PSIG	Discharge Pressure PSIG	Suction Pressure PSIG
50/10	325-335	70-38	145-175	105-130
70/21	325-335	70-39	150-180	110-135
80/27	325-335	75-39	150-185	110-135
90/32	325-340	80-39	150-190	110-135
100/38	325-340	80-39	150-190	110-135
110/43	325-345	80-39	150-190	110-135

Suction pressure drops gradually throughout the freeze cycle

KT0500A SELF-CONTAINED AIR-COOLED

NOTE: These characteristics may vary depending on operating conditions.

CYCLE TIMES

Freeze Time + Harvest Time = Total Cycle Time

Air Temp. Entering Condenser °F/°C	Freeze Time			Harvest Time
	Water Temperature °F/°C			
	50/10	70/21	90/32	
70/21	10.0-11.8	12.5-14.6	13.4-15.6	1.0-2.5
80/27	11.7-13.7	12.6-14.8	14.3-16.7	
90/32	12.6-14.8	15.5-17.7	15.5-18.0	
100/38	13.9-16.3	15.5-18.0	16.8-19.5	
110/43	14.8-17.2	16.8-19.5	18.3-21.3	

Times in minutes

24 HOUR ICE PRODUCTION

Air Temp. Entering Condenser °F/°C	Water Temperature °F/°C		
	50/10	70/21	90/32
70/21	515	425	400
80/27	450	420	375
90/32	420	400	350
100/38	385	350	325
110/43	365	325	300

Based on average ice slab weight of 4.125 – 4.75 lb (1.87 – 2.15 kg)

230/50/1 production is approximately 12% lower than 230/60/1.

OPERATING PRESSURES

Air Temp. Entering Condenser °F/°C	Freeze Cycle		Harvest Cycle	
	Discharge Pressure PSIG	Suction Pressure PSIG	Discharge Pressure PSIG	Suction Pressure PSIG
	50/10	260-325	60-36	140-175
70/21	270-340	65-37	150-185	105-130
80/27	275-380	65-37	165-200	110-150
90/32	340-400	75-38	190-220	130-160
100/38	380-500	80-42	280-320	180-235
110/43	440-520	80-44	290-330	185-240

Suction pressure drops gradually throughout the freeze cycle

KT0500W SELF-CONTAINED WATER-COOLED

CYCLE TIMES

Freeze Time + Harvest Time = Total Cycle Time

Air Temp. Around Ice Machine °F/°C	Freeze Time			Harvest Time
	Water Temperature °F/°C			
	50/10	70/21	90/32	
70/21	9.7-11.4	12.0-14.0	13.0-15.2	1.0-2.5
80/27	12.0-13.8	13.7-15.7	15.5-17.9	
90/32	12.4-14.3	12.6-14.8	16.4-18.7	
100/38	12.7-14.6	14.5-16.5	16.6-19.0	
110/43	13.1-15.0	14.7-16.8	16.9-19.3	

Times in minutes

24 HOUR ICE PRODUCTION

Air Temp. Around Ice Machine °F/°C	Water Temperature °F/°C		
	50/10	70/21	90/32
70/21	530	440	410
80/27	490	435	385
90/32	475	420	370
100/38	465	415	365
110/43	455	410	360

Based on average ice slab weight of 4.125 – 4.75 lb (1.87 – 2.15 kg)

Water regulating valve set to maintain 330 PSI discharge pressure

Condenser Water usage per 100 lbs ice = 160 gal (45 kg = 606 L)

230/50/1 production is approximately 12% lower than 230/60/1.

OPERATING PRESSURES

Air Temp. Around Ice Machine °F/°C	Freeze Cycle		Harvest Cycle	
	Discharge Pressure PSIG	Suction Pressure PSIG	Discharge Pressure PSIG	Suction Pressure PSIG
50/10	325-335	70-38	145-175	105-130
70/21	325-335	70-39	150-180	110-135
80/27	325-335	75-39	150-185	110-135
90/32	325-340	80-39	150-190	110-135
100/38	325-340	80-39	150-190	110-135
110/43	325-345	80-39	150-190	110-135

Suction pressure drops gradually throughout the freeze cycle

K0600A SELF-CONTAINED AIR-COOLED

NOTE: These characteristics may vary depending on operating conditions.

CYCLE TIMES

Freeze Time + Harvest Time = Total Cycle Time

Air Temp. Entering Condenser °F/°C	Freeze Time			Harvest Time
	Water Temperature °F/°C			
	50/10	70/21	90/32	
70/21	8.5-11.0	11.5-13.2	12.4-14.3	1.0-2.5
80/27	10.5-12.1	12.0-13.8	12.7-14.6	
90/32	11.7-13.5	12.2-13.9	13.9-15.9	
100/38	12.9-14.8	13.2-15.1	14.1-16.1	
110/43	13.6-15.5	14.1-16.1	14.5-16.5	

Times in minutes

24 HOUR ICE PRODUCTION

Air Temp. Entering Condenser °F/°C	Water Temperature °F/°C		
	50/10	70/21	90/32
70/21	600	510	475
80/27	550	490	465
90/32	500	485	430
100/38	460	450	425
110/43	440	425	415

Based on average ice slab weight of 4.6 – 5.2 lb (2.1 – 2.4 kg)
230/50/1 production is approximately 12% lower than 230/60/1.

OPERATING PRESSURES

Air Temp. Entering Condenser °F/°C	Freeze Cycle		Harvest Cycle	
	Discharge Pressure PSIG	Suction Pressure PSIG	Discharge Pressure PSIG	Suction Pressure PSIG
	50/10	260-325	60-28	140-175
70/21	275-350	65-30	165-200	100-130
80/27	275-380	70-31	165-210	105-150
90/32	350-415	75-35	310-370	170-215
100/38	380-520	80-36	310-375	170-235
110/43	440-540	80-36	310-375	170-225

Suction pressure drops gradually throughout the freeze cycle

K0600W SELF-CONTAINED WATER-COOLED

NOTE: These characteristics may vary depending on operating conditions.

CYCLE TIMES

Freeze Time + Harvest Time = Total Cycle Time

Air Temp. Around Ice Machine °F/°C	Freeze Time			Harvest Time
	Water Temperature °F/°C			
	50/10	70/21	90/32	
70/21	9.5-11.0	10.9-12.5	11.5-13.2	1.0-2.5
80/27	9.8-11.3	11.1-12.8	11.7-13.5	
90/32	10.9-12.5	11.2-12.9	12.7-14.6	
100/38	11.9-13.6	12.2-13.9	12.9-14.8	
110/43	12.4-14.3	12.9-14.8	13.2-15.1	

Times in minutes

24 HOUR ICE PRODUCTION

Air Temp. Around Ice Machine °F/°C	Water Temperature °F/°C		
	50/10	70/21	90/32
70/21	600	535	510
80/27	585	525	500
90/32	535	520	465
100/38	495	485	460
110/43	475	460	450

Based on average ice slab weight of 4.6 – 5.2 lb (2.1 – 2.4 kg)
Water regulating valve set to maintain 320 PSI discharge pressure
Condenser Water usage per 100 lbs ice = 170 gal (45 kg = 644 L)
230/50/1 production is approximately 12% lower than 230/60/1.

OPERATING PRESSURES

Air Temp. Around Ice Machine °F/°C	Freeze Cycle		Harvest Cycle	
	Discharge Pressure PSIG	Suction Pressure PSIG	Discharge Pressure PSIG	Suction Pressure PSIG
50/10	315-325	55-31	160-210	100-135
70/21	315-325	55-32	180-225	100-140
80/27	315-325	60-32	180-230	105-140
90/32	315-325	65-32	180-230	105-140
100/38	315-325	65-32	180-230	105-140
110/43	315-325	65-32	180-230	105-140

Suction pressure drops gradually throughout the freeze cycle

KT0700A SELF-CONTAINED AIR-COOLED

NOTE: These characteristics may vary depending on operating conditions.

CYCLE TIMES

Freeze Time + Harvest Time = Total Cycle Time

Air Temp. Entering Condenser °F/°C	Freeze Time			Harvest Time
	Water Temperature °F/°C			
	50/10	70/21	90/32	
70/21	7.3-8.6	8.7-10.2	9.3-10.9	1.0-2.5
80/27	8.0-9.4	9.2-10.8	10.4-12.2	
90/32	8.8-10.4	9.7-11.4	11.7-13.7	
100/38	9.8-11.5	10.9-12.8	13.4-15.6	
110/43	11.0-12.9	12.3-14.4	14.3-16.7	

Times in minutes

24 HOUR ICE PRODUCTION

Air Temp. Entering Condenser °F/°C	Water Temperature °F/°C		
	50/10	70/21	90/32
70/21	675	585	550
80/27	625	555	500
90/32	575	530	450
100/38	525	480	400
110/43	475	430	375

Based on average ice slab weight of 4.125 – 4.75 lb (1.87 – 2.15 kg)
230/50/1 production is approximately 12% lower than 230/60/1.

OPERATING PRESSURES

Air Temp. Entering Condenser °F/°C	Freeze Cycle		Harvest Cycle	
	Discharge Pressure PSIG	Suction Pressure PSIG	Discharge Pressure PSIG	Suction Pressure PSIG
50/10	260-340	60-28	150-175	115-130
70/21	275-350	65-30	165-200	115-130
80/27	275-380	70-31	175-200	115-135
90/32	350-415	75-35	185-200	135-145
100/38	380-520	80-36	200-215	140-160
110/43	440-540	80-36	210-220	155-175

Suction pressure drops gradually throughout the freeze cycle

KT0700W SELF-CONTAINED WATER-COOLED

NOTE: These characteristics may vary depending on operating conditions.

CYCLE TIMES

Freeze Time + Harvest Time = Total Cycle Time

Air Temp. Around Ice Machine °F/°C	Freeze Time			Harvest Time
	Water Temperature °F/°C			
	50/10	70/21	90/32	
70/21	7.5-8.9	8.2-9.7	9.6-11.3	1.0-2.5
80/27	7.8-9.2	8.5-10.0	9.8-11.5	
90/32	7.9-9.4	9.3-10.9	10.0-11.8	
100/38	8.4-9.9	9.8-11.5	10.3-12.0	
110/43	8.7-10.2	10.4-12.2	11.0-12.9	

Times in minutes

24 HOUR ICE PRODUCTION

Air Temp. Around Ice Machine °F/°C	Water Temperature °F/°C		
	50/10	70/21	90/32
70/21	660	610	535
80/27	640	595	525
90/32	630	550	515
100/38	600	525	505
110/43	585	500	475

Based on average ice slab weight of 4.125 – 4.75 lb (1.87 – 2.15 kg)
Water regulating valve set to maintain 300 PSI discharge pressure
Condenser Water usage per 100 lbs ice = 140 gal (45 kg = 530 L)
230/50/1 production is approximately 12% lower than 230/60/1.

OPERATING PRESSURES

Air Temp. Around Ice Machine °F/°C	Freeze Cycle		Harvest Cycle	
	Discharge Pressure PSIG	Suction Pressure PSIG	Discharge Pressure PSIG	Suction Pressure PSIG
50/10	295-305	55-31	145-180	115-140
70/21	295-305	55-32	155-190	120-140
80/27	295-305	60-32	155-190	120-140
90/32	295-305	65-32	155-190	120-150
100/38	300-325	65-32	160-190	125-150
110/43	300-325	65-32	165-190	130-150

Suction pressure drops gradually throughout the freeze cycle

K1000A SELF-CONTAINED AIR-COOLED

NOTE: These characteristics may vary depending on operating conditions.

CYCLE TIMES

Freeze Time + Harvest Time = Total Cycle Time

Air Temp. Entering Condenser °F/°C	Freeze Time			Harvest Time
	Water Temperature °F/°C			
	50/10	70/21	90/32	
70/21	8.5-10.1	9.9-11.7	11.6-12.6	1.0-2.5
80/27	9.4-11.1	10.2-12.1	10.9-12.9	
90/32	10.2-12.1	11.0-13.0	12.0-14.2	
100/38	11.1-13.1	12.6-14.8	13.1-15.5	
110/43	12.1-14.3	13.0-15.4	13.9-16.4	

Times in minutes

24 HOUR ICE PRODUCTION

Air Temp. Entering Condenser °F/°C	Water Temperature °F/°C		
	50/10	70/21	90/32
70/21	895	785	735
80/27	820	765	720
90/32	765	715	660
100/38	710	635	610
110/43	655	615	580

Based on average ice slab weight of 6.2 – 7.2 lb (2.8 – 3.3 kg)
230/50/1 production is approximately 12% lower than 230/60/1.

OPERATING PRESSURES

Air Temp. Entering Condenser °F/°C	Freeze Cycle		Harvest Cycle	
	Discharge Pressure PSIG	Suction Pressure PSIG	Discharge Pressure PSIG	Suction Pressure PSIG
	50/10	280-375	60-28	140-200
70/21	300-390	65-28	145-200	105-140
80/27	320-400	70-32	150-205	105-150
90/32	350-415	75-33	160-210	110-150
100/38	450-520	80-37	170-240	115-155
110/43	440-540	85-39	200-250	125-160

Suction pressure drops gradually throughout the freeze cycle

K1000W SELF-CONTAINED WATER-COOLED

NOTE: These characteristics may vary depending on operating conditions.

CYCLE TIMES

Freeze Time + Harvest Time = Total Cycle Time

Air Temp. Around Ice Machine °F/°C	Freeze Time			Harvest Time
	Water Temperature °F/°C			
	50/10	70/21	90/32	
70/21	8.3-9.8	8.8-10.4	9.7-11.5	1.0-2.5
80/27	9.0-10.7	9.7-11.5	10.8-12.8	
90/32	9.9-11.8	10.7-12.7	11.0-13.0	
100/38	10.2-12.1	11.1-13.1	11.4-13.5	
110/43	10.8-12.8	11.3-13.4	11.8-14.0	

Times in minutes

24 HOUR ICE PRODUCTION

Air Temp. Around Ice Machine °F/°C	Water Temperature °F/°C		
	50/10	70/21	90/32
70/21	915	870	800
80/27	850	800	725
90/32	780	730	715
100/38	765	710	690
110/43	725	695	670

Based on average ice slab weight of 6.2 – 7.2 lb (2.8 – 3.3 kg)
Water regulating valve set to maintain 320 PSI discharge pressure.
Condenser Water usage per 100 lbs ice = 180 gal (45 kg = 681 L)
230/50/1 production is approximately 12% lower than 230/60/1.

OPERATING PRESSURES

Air Temp. Around Ice Machine °F/°C	Freeze Cycle		Harvest Cycle	
	Discharge Pressure PSIG	Suction Pressure PSIG	Discharge Pressure PSIG	Suction Pressure PSIG
50/10	295-310	65-30	140-220	100-155
70/21	295-310	65-30	140-220	100-155
80/27	295-310	65-32	145-225	100-160
90/32	295-310	65-32	150-225	105-160
100/38	300-330	68-33	150-230	105-165
110/43	310-345	70-34	150-235	105-165

Suction pressure drops gradually throughout the freeze cycle

K1000N REMOTE AIR-COOLED

NOTE: These characteristics may vary depending on operating conditions.

CYCLE TIMES

Freeze Time + Harvest Time = Total Cycle Time

Air Temp. Entering Condenser °F/°C	Freeze Time			Harvest Time
	Water Temperature °F/°C			
	50/10	70/21	90/32	
70/21	8.2-9.7	8.5-10.1	9.4-11.1	1.0-2.5
80/27	9.1-10.8	9.9-11.7	10.2-12.1	
90/32	9.7-11.5	10.8-12.5	11.3-13.3	
100/38	10.6-12.5	11.4-13.5	12.2-14.5	
110/43	12.0-14.2	12.5-14.7	13.4-15.8	

Times in minutes

24 HOUR ICE PRODUCTION

Air Temp. Entering Condenser °F/°C	Water Temperature °F/°C		
	50/10	70/21	90/32
70/21	925	890	820
80/27	845	785	760
90/32	800	725	700
100/38	740	690	650
110/43	660	640	600

Based on average ice slab weight of 6.2 – 7.2 lb (2.8 – 3.3 kg)
230/50/1 production is approximately 12% lower than 230/60/1.

OPERATING PRESSURES

Air Temp. Entering Condenser °F/°C	Freeze Cycle		Harvest Cycle	
	Discharge Pressure PSIG	Suction Pressure PSIG	Discharge Pressure PSIG	Suction Pressure PSIG
	50/10	300-350	60-36	190-210
70/21	310-365	60-38	200-220	120-140
80/27	315-370	65-38	205-225	120-150
90/32	320-375	65-38	210-225	130-150
100/38	380-500	70-45	220-250	135-155
110/43	405-520	75-46	230-250	140-160

Suction pressure drops gradually throughout the freeze cycle

KT1000A SELF-CONTAINED AIR-COOLED

NOTE: These characteristics may vary depending on operating conditions.

CYCLE TIMES

Freeze Time + Harvest Time = Total Cycle Time

Air Temp. Entering Condenser °F/°C	Freeze Time			Harvest Time
	Water Temperature °F/°C			
	50/10	70/21	90/32	
70/21	10.2-11.0	11.6-12.5	12.6-13.6	1.0-2.5
80/27	11.2-12.1	12.2-13.2	13.4-14.4	
90/32	12.1-13.0	13.9-14.9	14.8-15.9	
100/38	13.2-14.2	14.2-15.3	16.2-17.4	
110/43	14.3-15.4	16.3-17.6	17.8-19.2	

Times in minutes

24 HOUR ICE PRODUCTION

Air Temp. Entering Condenser °F/°C	Water Temperature °F/°C		
	50/10	70/21	90/32
70/21	890	800	740
80/27	820	760	700
90/32	770	680	640
100/38	710	665	590
110/43	660	585	540

Based on average ice slab weight of 7.25 – 7.75 lb (3.3 – 3.5 kg)
230/50/1 production is approximately 12% lower than 230/60/1.

OPERATING PRESSURES

Air Temp. Entering Condenser °F/°C	Freeze Cycle		Harvest Cycle	
	Discharge Pressure PSIG	Suction Pressure PSIG	Discharge Pressure PSIG	Suction Pressure PSIG
50/10	280-350	60-36	135-150	100-140
70/21	280-350	65-36	135-155	105-140
80/27	300-400	70-38	150-180	105-150
90/32	350-420	75-39	160-210	120-150
100/38	425-520	80-40	170-240	130-155
110/43	440-540	85-41	190-250	135-160

Suction pressure drops gradually throughout the freeze cycle

KT1000W SELF-CONTAINED WATER-COOLED

NOTE: These characteristics may vary depending on operating conditions.

CYCLE TIMES

Freeze Time + Harvest Time = Total Cycle Time

Air Temp. Around Ice Machine °F/°C	Freeze Time			Harvest Time
	Water Temperature °F/°C			
	50/10	70/21	90/32	
70/21	11.0-11.9	11.6-12.5	13.4-14.4	1.0-2.5
80/27	11.2-12.0	11.5-12.4	13.5-14.6	
90/32	11.4-12.3	13.0-14.0	13.6-14.7	
100/38	11.6-12.5	13.3-14.3	13.9-14.9	
110/43	11.7-12.6	13.5-14.6	14.1-15.2	

Times in minutes

24 HOUR ICE PRODUCTION

Air Temp. Around Ice Machine °F/°C	Water Temperature °F/°C		
	50/10	70/21	90/32
70/21	835	800	700
80/27	825	805	695
90/32	810	720	690
100/38	800	705	680
110/43	790	695	670

Based on average ice slab weight of 7.25 – 7.75 lb (3.3 – 3.5 kg)
Water regulating valve set to maintain 300 PSI discharge pressure.
Condenser Water usage per 100 lbs ice = 131 gal (45 kg = 496 L)
230/50/1 production is approximately 12% lower than 230/60/1.

OPERATING PRESSURES

Air Temp. Around Ice Machine °F/°C	Freeze Cycle		Harvest Cycle	
	Discharge Pressure PSIG	Suction Pressure PSIG	Discharge Pressure PSIG	Suction Pressure PSIG
50/10	290-305	64-36	150-165	100-125
70/21	290-305	64-36	150-165	100-125
80/27	290-310	68-37	155-175	100-125
90/32	295-335	72-39	160-180	110-125
100/38	305-335	73-41	160-180	110-130
110/43	310-345	74-44	165-185	115-130

Suction pressure drops gradually throughout the freeze cycle

KT1000N REMOTE AIR-COOLED

NOTE: These characteristics may vary depending on operating conditions.

CYCLE TIMES

Freeze Time + Harvest Time = Total Cycle Time

Air Temp. Entering Condenser °F/°C	Freeze Time			Harvest Time
	Water Temperature °F/°C			
	50/10	70/21	90/32	
70/21	10.8-11.6	11.2-12.1	11.4-12.3	1.0-2.5
80/27	10.9-11.7	11.8-12.7	13.0-14.0	
90/32	11.5-12.4	13.4-14.4	13.6-14.7	
100/38	11.9-12.8	13.9-14.9	15.1-16.2	
110/43	13.5-14.6	14.9-16.1	16.3-17.6	

Times in minutes

24 HOUR ICE PRODUCTION

Air Temp. Entering Condenser °F/°C	Water Temperature °F/°C		
	50/10	70/21	90/32
-20-50/-29-10	850	820	810
70/21	845	785	720
80/27	805	745	690
90/32	780	700	660
100/38	735	680	630
110/43	695	635	585

Based on average ice slab weight of 7.25 – 7.75 lb (3.3 – 3.5 kg)
230/50/1 production is approximately 12% lower than 230/60/1.

OPERATING PRESSURES

Air Temp. Entering Condenser °F/°C	Freeze Cycle		Harvest Cycle	
	Discharge Pressure PSIG	Suction Pressure PSIG	Discharge Pressure PSIG	Suction Pressure PSIG
-20/-29	260-280	65-42	160-180	120-130
70/21	300-315	65-43	180-195	130-145
80/27	350-320	68-44	180-195	130-145
90/32	370-325	70-45	180-195	130-145
100/38	470-420	80-50	195-200	130-145
110/43	480-425	95-50	200-210	135-150

Suction pressure drops gradually throughout the freeze cycle

K1350A SELF-CONTAINED AIR-COOLED

NOTE: These characteristics may vary depending on operating conditions.

CYCLE TIMES

Freeze Time + Harvest Time = Total Cycle Time

Air Temp. Entering Condenser °F/°C	Freeze Time			Harvest Time
	Water Temperature °F/°C			
	50/10	70/21	90/32	
70/21	10.7-12.6	12.1-14.2	13.8-16.2	1.0-2.5
80/27	11.2-13.2	12.5-14.7	13.1-15.4	
90/32	11.7-13.8	12.9-15.2	14.1-16.6	
100/38	12.8-15.1	14.1-16.6	15.5-18.2	
110/43	14.4-16.9	16.2-19.0	18.9-22.1	

Times in minutes

24 HOUR ICE PRODUCTION

Air Temp. Entering Condenser °F/°C	Water Temperature °F/°C		
	50/10	70/21	90/32
70/21	1540	1350	1190
80/27	1350	1215	1090
90/32	1235	1145	990
100/38	1160	1080	920
110/43	1040	950	870

Based on average ice slab weight of 12.75 - 14.75 lb (5.78-6.69 kg)

230/50/1 production is approximately 12% lower than 230/60/1.

OPERATING PRESSURES

Air Temp. Entering Condenser °F/°C	Freeze Cycle		Harvest Cycle	
	Discharge Pressure PSIG	Suction Pressure PSIG	Discharge Pressure PSIG	Suction Pressure PSIG
	50/10	300-380	66-34	165-190
70/21	300-380	66-34	165-190	125-135
80/27	315-410	73-36	175-205	130-140
90/32	330-450	81-39	185-220	135-150
100/38	375-490	91-42	200-240	150-170
110/43	420-530	101-46	230-260	165-185

Suction pressure drops gradually throughout the freeze cycle

K1350W SELF-CONTAINED WATER-COOLED

NOTE: These characteristics may vary depending on operating conditions.

CYCLE TIMES

Freeze Time + Harvest Time = Total Cycle Time

Air Temp. Around Ice Machine °F/°C	Freeze Time			Harvest Time
	Water Temperature °F/°C			
	50/10	70/21	90/32	
70/21	10.7-12.7	11.2-13.1	11.6-13.7	1.0-2.5
80/27	10.9-12.8	11.3-13.3	11.7-13.7	
90/32	11.0-13.0	11.4-13.4	11.8-13.8	
100/38	11.3-13.4	11.7-13.8	12.2-14.9	
110/43	11.6-13.7	12.1-14.2	12.7-14.9	

Times in minutes

24 HOUR ICE PRODUCTION

Air Temp. Around Ice Machine °F/°C	Water Temperature °F/°C		
	50/10	70/21	90/32
70/21	1510	1290	1215
80/27	1500	1280	1205
90/32	1495	1225	1190
100/38	1485	1210	1170
110/43	1470	1190	1140

Based on average ice slab weight of 12.75 - 14.75 lb (5.78 – 6.69 kg)
Water regulating valve set to maintain 300 PSIG discharge pressure

Condenser Water usage per 100 lbs ice = 160 gal (45 kg = 606 L)
230/50/1 production is approximately 12% lower than 230/60/1.

OPERATING PRESSURES

Air Temp. Around Ice Machine °F/°C	Freeze Cycle		Harvest Cycle	
	Discharge Pressure PSIG	Suction Pressure PSIG	Discharge Pressure PSIG	Suction Pressure PSIG
50/10	290-305	64-36	150-165	110-125
70/21	290-305	64-36	150-165	110-125
80/27	290-310	68-37	155-175	110-125
90/32	295-335	72-39	160-180	110-125
100/38	305-335	73-41	160-180	110-130
110/43	310-340	74-44	165-185	115-130

Suction pressure drops gradually throughout the freeze cycle

K1350N REMOTE AIR-COOLED

NOTE: These characteristics may vary depending on operating conditions.

CYCLE TIMES

Freeze Time + Harvest Time = Total Cycle Time

Air Temp. Entering Condenser °F/°C	Freeze Time			Harvest Time
	Water Temperature °F/°C			
	50/10	70/21	90/32	
70/21	10.6-12.5	12.0-14.2	12.2-14.3	1.0-2.5
80/27	11.1-13.0	11.6-13.6	12.8-15.0	
90/32	11.2-13.2	11.3-13.4	12.5-16.0	
100/38	11.9-14.0	12.7-14.9	14.4-16.9	
110/43	12.8-15.0	13.9-16.3	15.3-18.0	

Times in minutes

24 HOUR ICE PRODUCTION

Air Temp. Entering Condenser °F/°C	Water Temperature °F/°C		
	50/10	70/21	90/32
70/21	1470	1295	1195
80/27	1410	1250	1175
90/32	1340	1200	1130
100/38	1280	1115	1040
110/43	1160	1095	975

Based on average ice slab weight of 12.75 - 14.75 lb (4.65 – 5.22 kg)

230/50/1 production is approximately 12% lower than 230/60/1.

OPERATING PRESSURES

Air Temp. Entering Condenser °F/°C	Freeze Cycle		Harvest Cycle	
	Discharge Pressure PSIG	Suction Pressure PSIG	Discharge Pressure PSIG	Suction Pressure PSIG
	50/10	300-365	70-33	165-190
70/21	300-365	70-33	165-190	115-140
80/27	305-370	75-35	170-190	115-140
90/32	305-380	75-38	170-195	120-145
100/38	330-410	82-42	175-195	125-145
110/43	400-490	95-48	180-200	130-150

Suction pressure drops gradually throughout the freeze cycle

KT1700A SELF-CONTAINED AIR-COOLED

NOTE: These characteristics may vary depending on operating conditions.

CYCLE TIMES

Freeze Time + Harvest Time = Total Cycle Time

Air Temp. Entering Condenser °F/°C	Freeze Time			Harvest Time
	Water Temperature °F/°C			
	50/10	70/21	90/32	
70/21	9.1-10.3	9.7-11.1	10.3-11.7	1.0-2.5
80/27	10.5-11.9	11.3-12.9	12.5-14.2	
90/32	11.8-13.4	12.6-14.3	14.3-16.2	
100/38	13.1-14.8	14.1-16.0	16.1-18.2	
110/43	15.6-17.7	17.1-19.4	18.2-20.6	

Times in minutes

24 HOUR ICE PRODUCTION

Air Temp. Entering Condenser °F/°C	Water Temperature °F/°C		
	50/10	70/21	90/32
70/21	1800	1690	1610
80/27	1590	1480	1360
90/32	1430	1350	1205
100/38	1305	1215	1080
110/43	1110	1020	965

Based on average ice slab weight of 13.20 - 14.80 lb (5.99 – 6.71 kg)
230/50/1 production is approximately 12% lower than 230/60/1.

OPERATING PRESSURES

Air Temp. Entering Condenser °F/°C	Freeze Cycle		Harvest Cycle	
	Discharge Pressure PSIG	Suction Pressure PSIG	Discharge Pressure PSIG	Suction Pressure PSIG
50/10	255-340	70-33	150-16	110-115
70/21	275-350	75-35	165-170	120-125
80/27	300-380	80-40	185-200	135-145
90/32	330-400	80-45	200-205	145-150
100/38	500-415	85-48	230-245	165-180
110/43	530-425	100-50	245-255	175-190

Suction pressure drops gradually throughout the freeze cycle

KT1700W SELF-CONTAINED WATER-COOLED

NOTE: These characteristics may vary depending on operating conditions.

CYCLE TIMES

Freeze Time + Harvest Time = Total Cycle Time

Air Temp. Around Ice Machine °F/°C	Freeze Time			Harvest Time
	Water Temperature °F/°C			
	50/10	70/21	90/32	
70/21	9.3-10.6	9.6-10.9	11.3-12.6	1.0-2.5
80/27	9.8-11.1	10.0-11.4	11.7-13.2	
90/32	9.9-11.3	11.5-13.1	12.0-13.6	
100/38	10.0-11.3	12.1-13.7	12.5-14.2	
110/43	10.0-11.4	12.3-14.0	12.9-14.6	

Times in minutes

24 HOUR ICE PRODUCTION

Air Temp. Around Ice Machine °F/°C	Water Temperature °F/°C		
	50/10	70/21	90/32
70/21	1765	1720	1515
80/27	1685	1650	1445
90/32	1670	1460	1410
100/38	1660	1400	1355
110/43	1650	1375	1320

Based on average ice slab weight of 13.20 - 14.80 lb (5.99 – 6.71 kg)
Water regulating valve set to maintain 310 PSIG discharge pressure

Condenser Water usage per 100 lbs ice = 139 gal (45 kg = 526 L)
230/50/1 production is approximately 12% lower than 230/60/1.

OPERATING PRESSURES

Air Temp. Around Ice Machine °F/°C	Freeze Cycle		Harvest Cycle	
	Discharge Pressure PSIG	Suction Pressure PSIG	Discharge Pressure PSIG	Suction Pressure PSIG
50/10	310-320	68-40	145-160	110-115
70/21	310-320	72-40	165-180	120-130
80/27	310-320	75-40	165-180	120-130
90/32	310-325	80-40	165-180	120-130
100/38	310-335	81-45	170-180	120-130
110/43	320-370	82-50	175-180	125-135

Suction pressure drops gradually throughout the freeze cycle

KT1700N REMOTE AIR-COOLED

NOTE: These characteristics may vary depending on operating conditions.

CYCLE TIMES

Freeze Time + Harvest Time = Total Cycle Time

Air Temp. Entering Condenser °F/°C	Freeze Time			Harvest Time
	Water Temperature °F/°C			
	50/10	70/21	90/32	
70/21	9.8-11.2	10.2-14.8	10.6-12.1	1.0-2.5
80/27	10.0-11.4	10.6-12.1	11.5-13.1	
90/32	10.7-12.2	11.9-13.5	13.4-15.2	
100/38	12.3-13.9	12.6-14.3	14.5-16.4	
110/43	12.6-14.3	13.6-15.4	15.2-17.2	

Times in minutes

24 HOUR ICE PRODUCTION

Air Temp. Entering Condenser °F/°C	Water Temperature °F/°C		
	50/10	70/21	90/32
70/21	1650	1565	1460
80/27	1560	1480	1370
90/32	1470	1420	1280
100/38	1380	1345	1190
110/43	1345	1260	1140

Based on average ice slab weight of 13.20 - 14.80 lb (5.99 – 6.71 kg)
230/50/1 production is approximately 12% lower than 230/60/1.

OPERATING PRESSURES

Air Temp. Entering Condenser °F/°C	Freeze Cycle		Harvest Cycle	
	Discharge Pressure PSIG	Suction Pressure PSIG	Discharge Pressure PSIG	Suction Pressure PSIG
-20-50/-29-10	270-285	60-38	170-190	120-135
70/21	300-320	60-38	180-210	130-140
80/27	300-340	60-39	180-210	130-140
90/32	310-380	70-40	180-210	130-140
100/38	380-460	80-41	200-210	135-150
110/43	400-480	85-42	210-220	140-155

Suction pressure drops gradually throughout the freeze cycle

K1800A SELF-CONTAINED AIR-COOLED

NOTE: These characteristics may vary depending on operating conditions.

CYCLE TIMES

Freeze Time + Harvest Time = Total Cycle Time

Air Temp. Entering Condenser °F/°C	Freeze Time			Harvest Time
	Water Temperature °F/°C			
	50/10	70/21	90/32	
70/21	9.1-10.5	9.8-11.2	10.6-12.1	1.0-2.5
80/27	9.9-11.4	10.6-12.1	11.6-13.2	
90/32	11.0-12.5	11.4-13.0	12.7-14.5	
100/38	12.2-13.9	12.9-14.7	14.5-16.5	
110/43	13.6-15.5	14.9-16.9	16.4-18.6	

Times in minutes

24 HOUR ICE PRODUCTION

Air Temp. Entering Condenser °F/°C	Water Temperature °F/°C		
	50/10	70/21	90/32
70/21	1735	1630	1520
80/27	1610	1520	1410
90/32	1480	1430	1295
100/38	1350	1280	1155
110/43	1220	1125	1030

Based on average ice slab weight of 12.80 - 14.4 lb (5.8– 6.5 kg).
230/50/1 production is approximately 12% lower than 230/60/1.

OPERATING PRESSURES

Air Temp. Entering Condenser °F/°C	Freeze Cycle		Harvest Cycle	
	Discharge Pressure PSIG	Suction Pressure PSIG	Discharge Pressure PSIG	Suction Pressure PSIG
	50/10	295-395	85-35	175-205
70/21	295-395	85-35	175-205	115-145
80/27	310-410	85-36	185-215	125-150
90/32	330-430	85-38	195-225	135-155
100/38	400-500	90-40	210-250	150-170
110/43	430-555	110-45	230-290	160-190

Suction pressure drops gradually throughout the freeze cycle

K1800N REMOTE AIR-COOLED

NOTE: These characteristics may vary depending on operating conditions.

CYCLE TIMES

Freeze Time + Harvest Time = Total Cycle Time

Air Temp. Entering Condenser °F/°C	Freeze Time			Harvest Time
	Water Temperature °F/°C			
	50/10	70/21	90/32	
70/21	9.5-10.8	10.1-11.5	10.7-12.2	1.0-2.5
80/27	10.0-11.5	10.7-12.2	11.5-13.1	
90/32	10.7-12.2	11.5-13.2	12.4-14.1	
100/38	11.4-13.0	12.3-14.0	13.3-15.2	
110/43	12.2-13.9	13.2-15.1	14.5-16.5	

Times in minutes

24 HOUR ICE PRODUCTION

Air Temp. Entering Condenser °F/°C	Water Temperature °F/°C		
	50/10	70/21	90/32
70/21	1680	1595	1510
80/27	1600	1510	1420
90/32	1515	1415	1330
100/38	1430	1335	1245
110/43	1345	1250	1150

Based on average ice slab weight of 12.8 - 14.4 lb (5.8 - 6.5 kg)
230/50/1 production is approximately 12% lower than 230/60/1.

OPERATING PRESSURES

Air Temp. Entering Condenser °F/°C	Freeze Cycle		Harvest Cycle	
	Discharge Pressure PSIG	Suction Pressure PSIG	Discharge Pressure PSIG	Suction Pressure PSIG
	50/10	300-365	70-35	175-195
70/21	300-365	70-35	175-195	110-135
80/27	300-380	75-37	180-200	115-140
90/32	300-400	80-38	180-205	120-140
100/38	350-480	90-40	190-215	125-145
110/43	450-520	95-42	205-225	135-150

Suction pressure drops gradually throughout the freeze cycle

THIS PAGE INTENTIONALLY LEFT BLANK

Diagrams

Wiring Diagrams

The following pages contain electrical wiring diagrams. Be sure you are referring to the correct diagram for the ice machine you are servicing.



Always disconnect power before working on electrical circuitry.

Wiring Diagram Legend

The following symbols are used on all of the wiring diagrams:

- * Internal Compressor Overload
(Some models have external compressor overloads)
- ** Fan Motor Run Capacitor
(Some models do not incorporate fan motor run capacitor)
- () Wire Number Designation
(The number is marked at each end of the wire)
- >>— Multi-pin Connection
(Electrical Box Side)—>
(Compressor Compartment Side)>—

**K0250, KT0300, K0350, KT400, K0420, KT0420, K0500,
K0600, KT0700, K1000, KT1000**

Without PTCR

1 Ph Self-contained Air/Water-cooled

Number	Component
3	Bin Switch
5	Compressor
7	Compressor Overload
11	Compressor Run Capacitor
14	Condenser Fan Motor
15	Condenser Fan Motor Run Capacitor
17	Contactator Coil
18	Contactator Contacts
19	Control Board
25	Fan Cycle Control
26	Harvest Float Switch
27	Water Level Float Switch
28	Fuse
31	High Pressure Cutout
40	On/Off/Clean Switch
41	See Control Board Schematic For Detail
42	Solenoid Valve - Harvest
54	Transformer
55	Water Dump Valve
56	Water Inlet Valve
58	Water Pump
Wire Colors	
BLK	Black
BLU	Blue
BRN	Brown
GRY	Grey
ORG	Orange
PRPL	Purple
RED	Red
WHT	White
YEL	Yellow
Refer to control board schematic for control board detail	

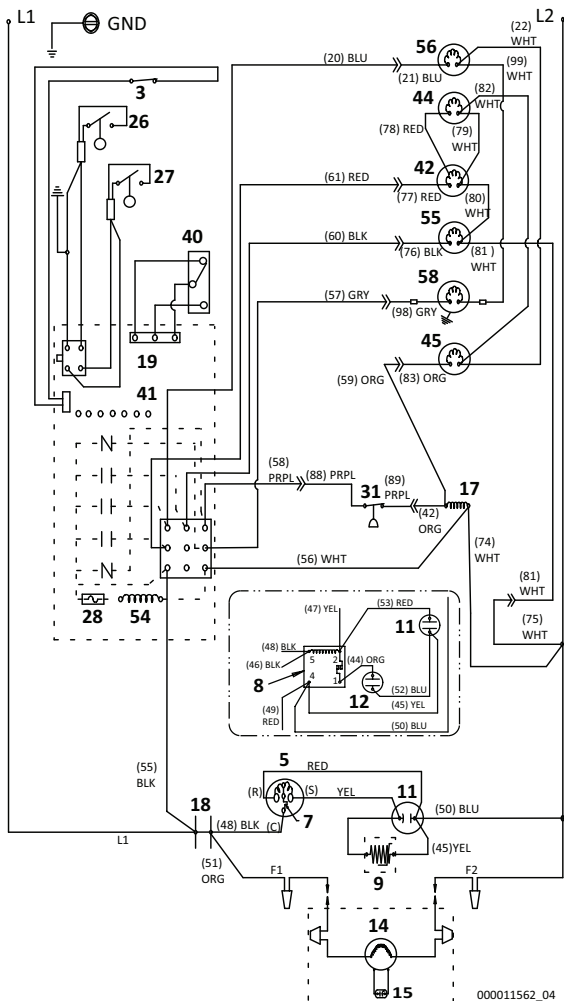
**K0250, KT0300, K0350, KT400, K0420, KT0420, K0500,
KT0500, KT0700, K1000, KT1000**

WITH PTCR

1 Ph Self-contained Air/Water-cooled

Number	Component
3	Bin Switch
5	Compressor
7	Compressor Overload
9	Compressor PTCR
11	Compressor Run Capacitor
14	Condenser Fan Motor
15	Condenser Fan Motor Run Capacitor
17	Contacto Coil
18	Contacto Contacts
19	Control Board
25	Fan Cycle Control
26	Harvest Float Switch
27	Water Level Float Switch
28	Fuse
31	High Pressure Cutout
40	On/Off/Clean Switch
41	See Control Board Schematic For Detail
42	Solenoid Valve - Harvest
54	Transformer
55	Water Dump Valve
56	Water Inlet Valve
58	Water Pump
Wire Colors	
BLK	Black
BLU	Blue
BRN	Brown
GRY	Grey
ORG	Orange
PRPL	Purple
RED	Red
WHT	White
YEL	Yellow
Refer to control board schematic for control board detail	

K1000, KT1000 1PH REMOTE AIR-COOLED CONDENSER



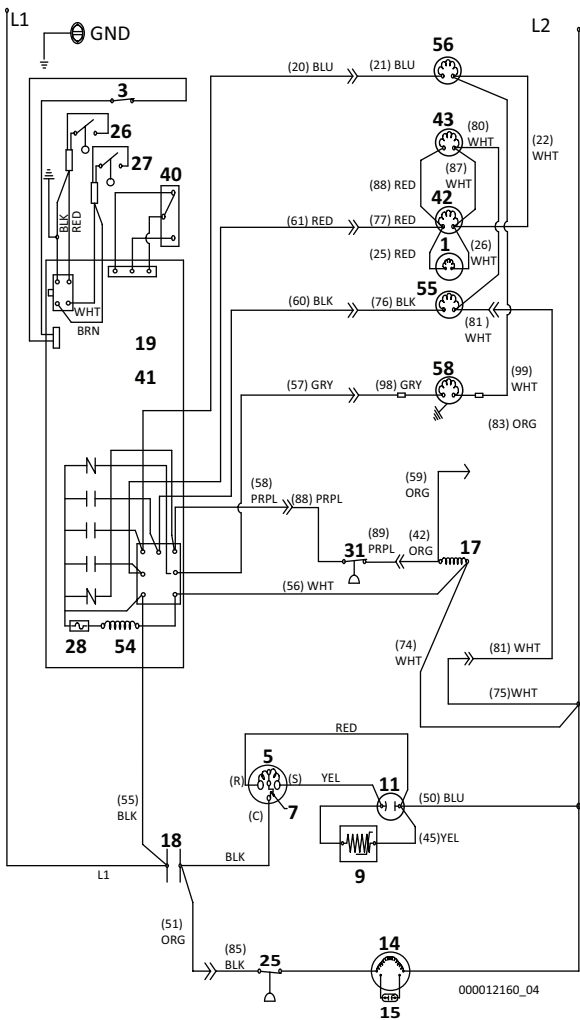
K1000, KT1000

1Ph Remote Air-cooled Condenser

Number	Component
3	Bin Switch
5	Compressor
7	Compressor Overload
8	Compressor Potential Relay - When Used
9	Compressor PTCR - When Used
11	Compressor Run Capacitor
12	Compressor Start Capacitor - When Used
14	Condenser Fan Motor
15	Condenser Fan Motor Run Capacitor
17	Contactator Coil
18	Contactator Contacts
19	Control Board
26	Harvest Float Switch
27	Water Level Float Switch
28	Fuse
31	High Pressure Cutout
40	On/Off/Clean Switch
41	See Control Board Schematic For Detail
42	Solenoid Valve - Harvest
44	Solenoid Valve - Harvest Pressure Regulating
45	Solenoid Valve - Liquid Line Solenoid
54	Transformer
55	Water Dump Valve
56	Water Inlet Valve
58	Water Pump
Wire Colors	
BLK	Black
BLU	Blue
BRN	Brown
GRY	Grey
ORG	Orange
PRPL	Purple
RED	Red
WHT	White
YEL	Yellow
WHT	White
Refer to control board schematic for control board detail	

K1350, KT1700, K1800

1 PH SELF-CONTAINED AIR/WATER-COOLED



K1350, KT1700, K1800**1 Ph Self-contained Air/Water-cooled**

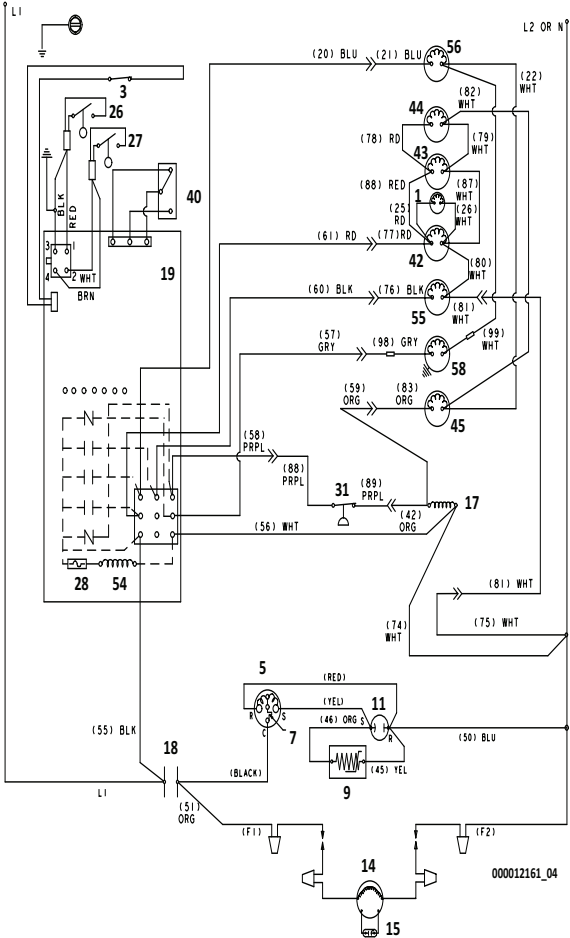
Number	Component
1	Air Pump Harvest Assist
3	Bin Switch
5	Compressor
7	Compressor Overload
9	Compressor PTCR
11	Compressor Run Capacitor
14	Condenser Fan Motor
15	Condenser Fan Motor Run Capacitor
17	Contactator Coil
18	Contactator Contacts
19	Control Board
25	Fan Cycle Control
26	Harvest Float Switch
27	Water Level Float Switch
28	Fuse
31	High Pressure Cutout
40	On/Off/Clean Switch
41	See Control Board Schematic For Detail
42	Solenoid Valve - Harvest Left Hand
43	Solenoid Valve - Harvest Right Hand
54	Transformer
55	Water Dump Valve
56	Water Inlet Valve
58	Water Pump
Wire Colors	
BLK	Black
BLU	Blue
BRN	Brown
GRY	Grey
ORG	Orange
PRPL	Purple
RED	Red
WHT	White
YEL	Yellow
Refer to control board schematic for control board detail	

K1350, KT1700, K1800

3 Ph Self-contained Air/Water-cooled

Number	Component
1	Air Pump Harvest Assist
3	Bin Switch
5	Compressor
7	Compressor Overload
14	Condenser Fan Motor
15	Condenser Fan Motor Run Capacitor
17	Contactora Coil
18	Contactora Contacts
19	Control Board
25	Fan Cycle Control
26	Harvest Float Switch
27	Water Level Float Switch
28	Fuse
31	High Pressure Cutout
40	On/Off/Clean Switch
41	See Control Board Schematic For Detail
42	Solenoid Valve - Harvest Left Hand
43	Solenoid Valve - Harvest Right Hand
54	Transformer
55	Water Dump Valve
56	Water Inlet Valve
58	Water Pump
56	Water Inlet Valve
58	Water Pump
Wire Colors	
BLK	Black
BLU	Blue
BRN	Brown
GRY	Grey
ORG	Orange
PRPL	Purple
RED	Red
WHT	White
YEL	Yellow
Refer to control board schematic for control board detail	

K1350, KT1700, K1800 1PH REMOTE AIR-COOLED CONDENSER



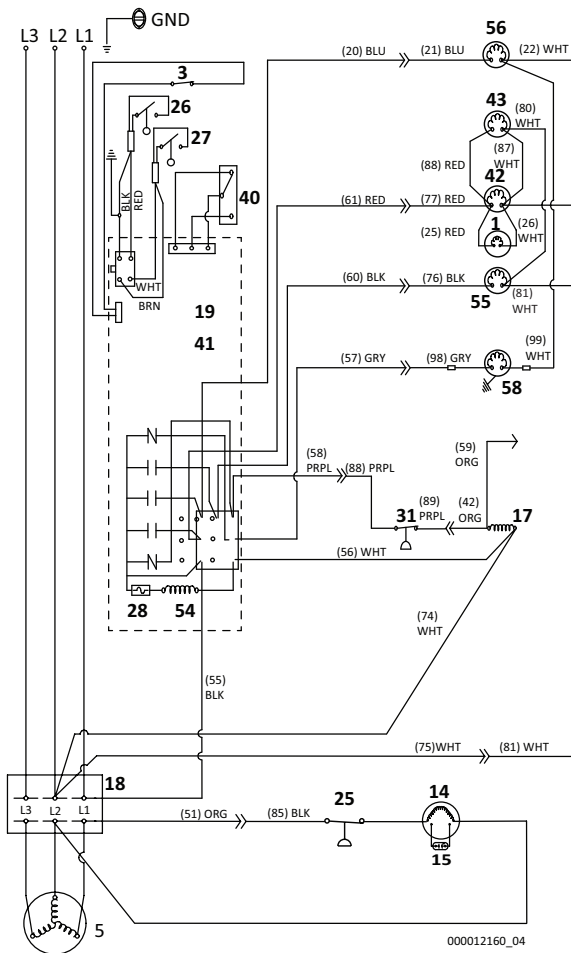
K1350, KT1700, K1800

1Ph Remote Air-cooled Condenser

Number	Component
1	Air Pump Harvest Assist
3	Bin Switch
5	Compressor
7	Compressor Overload
9	Compressor PTCR
11	Compressor Run Capacitor
14	Condenser Fan Motor
15	Condenser Fan Motor Run Capacitor
17	Contacto Coil
18	Contacto Contacts
19	Control Board
25	Fan Cycle Control
26	Harvest Float Switch
27	Water Level Float Switch
28	Fuse
31	High Pressure Cutout
40	On/Off/Clean Switch
41	See Control Board Schematic For Detail
42	Solenoid Valve - Harvest Left Hand
43	Solenoid Valve - Harvest Right Hand
44	Solenoid Valve - Harvest Pressure Regulating
45	Solenoid Valve - Liquid Line
54	Transformer
55	Water Dump Valve
56	Water Inlet Valve
58	Water Pump
Wire Colors	
BLK	Black
BLU	Blue
BRN	Brown
GRY	Grey
ORG	Orange
PRPL	Purple
RED	Red
WHT	White
YEL	Yellow
Refer to control board schematic for control board detail	

K1350, KT1700, K1800

3 PH REMOTE AIR-COOLED CONDENSER



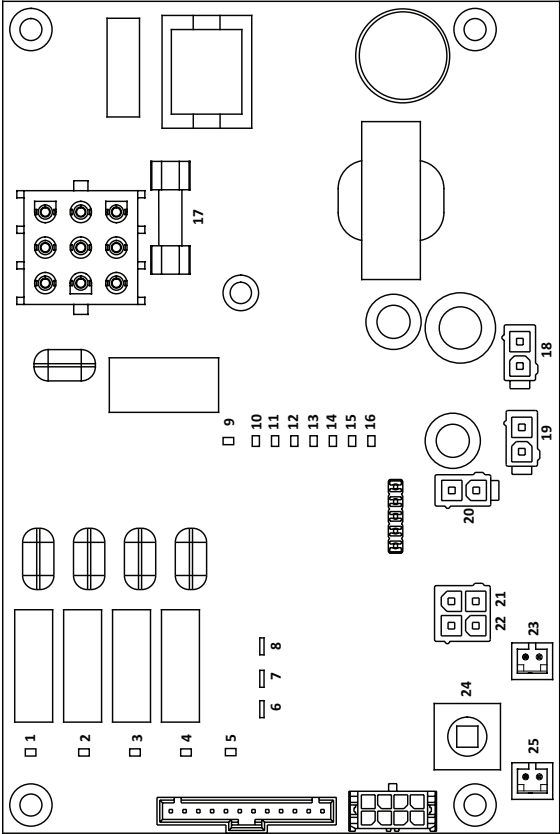
K1350, KT1700, K1800

3 Ph Remote Air-cooled Condenser

Number	Component
1	Air Pump Harvest Assist
3	Bin Switch
5	Compressor
14	Condenser Fan Motor
15	Condenser Fan Motor Run Capacitor
17	Contactora Coil
18	Contactora Contacts
19	Control Board
25	Fan Cycle Control
26	Harvest Float Switch
27	Water Level Float Switch
28	Fuse
31	High Pressure Cutout
40	On/Off/Clean Switch
41	See Control Board Schematic For Detail
42	Solenoid Valve - Harvest Left Hand
43	Solenoid Valve - Harvest Right Hand
44	Solenoid Valve - Harvest Pressure Regulating
45	Solenoid Valve - Liquid Line
54	Transformer
55	Water Dump Valve
56	Water Inlet Valve
58	Water Pump
Wire Colors	
BLK	Black
BLU	Blue
BRN	Brown
GRY	Grey
ORG	Orange
PRPL	Purple
RED	Red
WHT	White
YEL	Yellow
Refer to control board schematic for control board detail	

Electronic Control Board

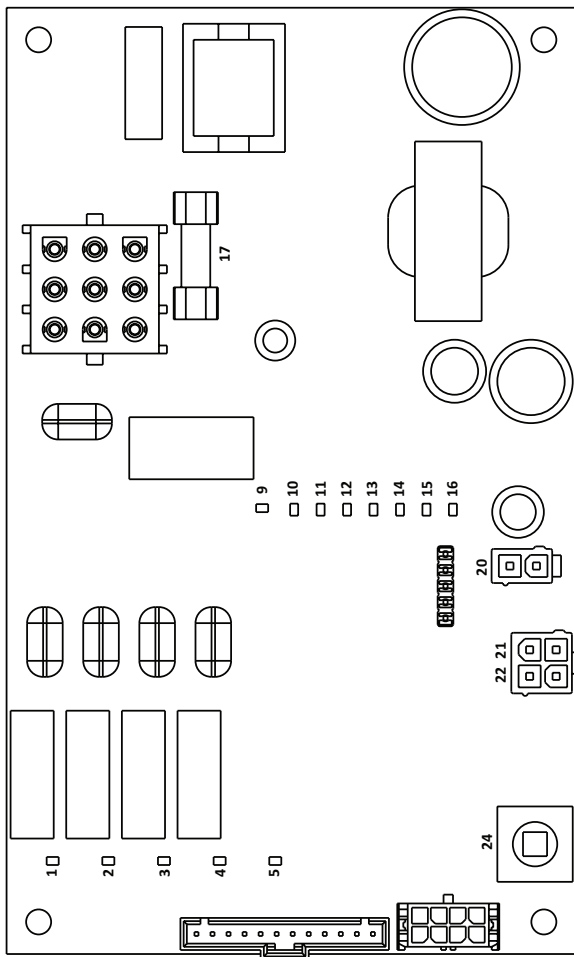
KT MODELS



Electronic Control Board

Number	Component
1	LED Water Pump Relay
2	LED Compressor Relay
3	LED Water Dump Valve Relay
4	LED Harvest Solenoid Valve
5	LED Clean
6	Thermistor
7	Thermistor
8	Thermistor
9	LED Water Fill Valve
10	LED Harvest Float
11	LED Water Level Float
12	LED Bin Switch
13	LED Safety Limit 2
14	LED Safety Limit 1
15	LED Harvest
16	LED Test Mode
17	Fuse
18	Motor Connector
19	EC Fan Motor Connector
20	Bin Switch Connector
21	Float Switch Water Level
22	Float Switch Harvest
23	Thermistor 2
24	Test Switch
25	Thermistor 1

K MODELS



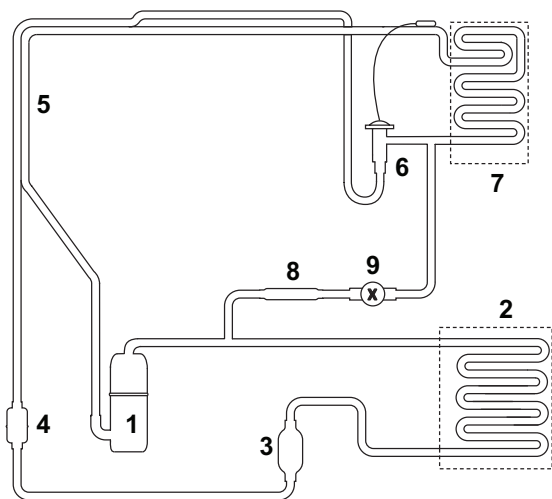
Electronic Control Board

Number	Component
1	LED Water Pump Relay
2	LED Compressor Relay
3	LED Water Dump Valve Relay
4	LED Harvest Solenoid Valve
5	LED Clean
9	LED Water Fill Valve
10	LED Harvest Float
11	LED Water Level Float
12	LED Bin Switch
13	LED Safety Limit 2
14	LED Safety Limit 1
15	LED Harvest
16	LED Test Mode
17	Fuse 3.15 Amp
20	Bin Switch Connector
21	Float Switch Water Level
22	Float Switch Harvest
24	Test Switch

Refrigeration Tubing Schematics

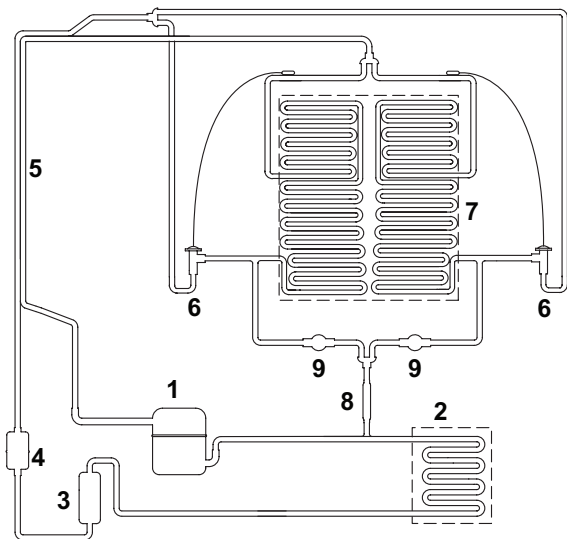
SELF-CONTAINED AIR OR WATER-COOLED

K0250, KT0300, K0350, KT400, K0420, KT0420, K0500,
K0600, KT0700, K1000, KT1000



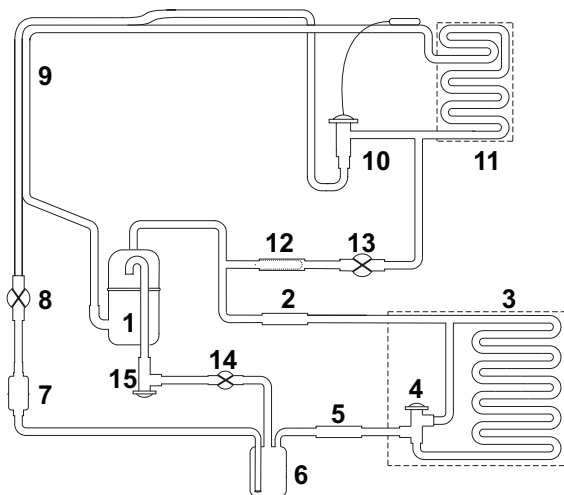
Number	Component
1	Compressor
2	Condenser-Air or Water-cooled
3	Receiver - Water-cooled Only
4	Liquid Line Filter Drier
5	Heat Exchanger
6	TXV - Thermostatic Expansion Valve
7	Evaporator
8	Strainer
9	Harvest Solenoid Valve

K1350, KT1700, K1800
SELF-CONTAINED AIR OR WATER-COOLED



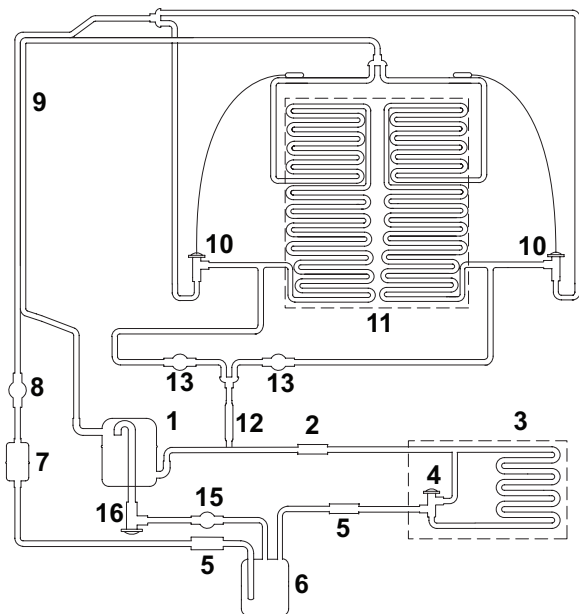
Number	Component
1	Compressor
2	Condenser-Air or Water-cooled
3	Receiver - Water-cooled Only
4	Liquid Line Filter Drier
5	Heat Exchanger
6	TXV - Thermostatic Expansion Valve
7	Evaporator
8	Strainer
9	Harvest Solenoid Valve

K1000, KT1000 REMOTE AIR-COOLED CONDENSER



Number	Component
1	Compressor
2	Discharge Check Valve
3	Condenser - Remote Air-Cooled
4	Head Pressure Control Valve
5	Liquid Line Check Valve
6	Receiver
7	Liquid Line Filter Drier
8	Liquid Line Solenoid Valve
9	Heat Exchanger
10	TXV - Thermostatic Expansion Valve
11	Evaporator
12	Strainer
13	Harvest Solenoid Valve
14	Harvest Pressure Solenoid Valve
15	Harvest Pressure Regulating Valve

K1350, KT1700, K1800
REMOTE AIR-COOLED CONDENSER



Number	Component
1	Compressor
2	Discharge Check Valve
3	Condenser - Remote Air-Cooled
4	Head Pressure Control Valve
5	Liquid Line Check Valve
6	Receiver
7	Liquid Line Filter Drier
8	Liquid Line Solenoid Valve
9	Heat Exchanger
10	TXV - Thermostatic Expansion Valve
11	Evaporator
12	Strainer
13	Harvest Solenoid Valve
14	Harvest Pressure Solenoid Valve
15	Harvest Pressure Regulating Valve

THIS PAGE INTENTIONALLY LEFT BLANK

KOOLAIRE[®]

K & KF Models UnderCounter Ice Machines

Technician's Handbook



Safety Notices

Read these precautions to prevent personal injury:

- Read this manual thoroughly before operating, installing or performing maintenance on the equipment. Failure to follow instructions in this manual can cause property damage, injury or death.
- Routine adjustments and maintenance procedures outlined in this manual are not covered by the warranty.
- Proper installation, care and maintenance are essential for maximum performance and trouble-free operation of your equipment.
- Visit our website www.kool-aire.com for manual updates, translations, or contact information for service agents in your area.
- This equipment contains high voltage electricity and refrigerant charge. Installation and repairs are to be performed by properly trained technicians aware of the dangers of dealing with high voltage electricity and refrigerant under pressure. The technician must also be certified in proper refrigerant handling and servicing procedures. All lockout and tag out procedures must be followed when working on this equipment.
- This equipment is intended for indoor use only. Do not install or operate this equipment in outdoor areas.
- As you work on this equipment, be sure to pay close attention to the safety notices in this handbook. Disregarding the notices may lead to serious injury and/or damage to the equipment.

Definitions

DANGER

Indicates a hazardous situation that, if not avoided, will result in death or serious injury. This applies to the most extreme situations.

Warning

Indicates a hazardous situation that, if not avoided, could result in death or serious injury.

Caution

Indicates a hazardous situation that, if not avoided, could result in minor or moderate injury.

Notice

Indicates information considered important, but not hazard-related (e.g. messages relating to property damage)

NOTE: Indicates useful, extra information about the procedure you are performing.

Warning

Follow these electrical requirements during installation of this equipment.

- All field wiring must conform to all applicable codes of the authority having jurisdiction. It is the responsibility of the end user to provide the disconnect means to satisfy local codes. Refer to rating plate for proper voltage.
- This appliance must be grounded.
- This equipment must be positioned so that the plug is accessible unless other means for disconnection from the power supply (e.g., circuit breaker or disconnect switch) is provided.
- Check all wiring connections, including factory terminals, before operation. Connections can become loose during shipment and installation.

Warning

Follow these precautions to prevent personal injury during installation of this equipment:

- Installation must comply with all applicable equipment fire and health codes with the authority having jurisdiction.
- To avoid instability the installation area must be capable of supporting the combined weight of the equipment and product. Additionally the equipment must be level side to side and front to back.
- Ice machines require a deflector when installed on an ice storage bin. Prior to using a non-OEM ice storage system with this ice machine, contact the bin manufacturer to assure their ice deflector is compatible.
- Remove all removable panels before lifting and installing and use appropriate safety equipment during installation and servicing. Two or more people are required to lift or move this appliance to prevent tipping and/or injury.
- Do not damage the refrigeration circuit when installing, maintaining or servicing the unit.
- Connect to a potable water supply only.
- This equipment contains refrigerant charge.
- Installation of the line sets must be performed by a properly trained and EPA certified refrigeration technician aware of the dangers of dealing with refrigerant charged equipment.

Warning

Follow these precautions to prevent personal injury while operating or maintaining this equipment.

- Legs or casters must be installed and the legs/casters must be screwed in completely. When casters are installed the mass of this unit will allow it to move uncontrolled on an inclined surface. These units must be tethered/secured to comply with all applicable codes. Swivel casters must be mounted on the front and rigid casters must be mounted on the rear. Lock the front casters after installation is complete.
- Some 50 Hz models may contain up to 150 grams of R290 (propane) refrigerant. R290 (propane) is flammable in concentrations of air between approximately 2.1% and 9.5% by volume (LEL lower explosion limit and UEL upper explosion limit). An ignition source at a temperature higher than 470°C is needed for a combustion to occur.
- Refer to nameplate to identify the type of refrigerant in your equipment.
- Only trained and qualified personnel aware of the dangers are allowed to work on the equipment.
- Read this manual thoroughly before operating, installing or performing maintenance on the equipment. Failure to follow instructions in this manual can cause property damage, injury or death.
- Crush/Pinch Hazard. Keep hands clear of moving components. Components can move without warning unless power is disconnected and all potential energy is removed.
- Moisture collecting on the floor will create a slippery surface. Clean up any water on the floor immediately to prevent a slip hazard.

Warning

Follow these precautions to prevent personal injury while operating or maintaining this equipment.

- Objects placed or dropped in the bin can affect human health and safety. Locate and remove any objects immediately.
- Never use sharp objects or tools to remove ice or frost.
- Do not use mechanical devices or other means to accelerate the defrosting process.
- When using cleaning fluids or chemicals, rubber gloves and eye protection (and/or face shield) must be worn.

DANGER

Do not operate equipment that has been misused, abused, neglected, damaged, or altered/modified from that of original manufactured specifications. This appliance is not intended for use by persons (including children) with reduced physical, sensory or mental capabilities, or lack of experience and knowledge, unless they have been given supervision concerning use of the appliance by a person responsible for their safety. Do not allow children to play with, clean or maintain this appliance without proper supervision.

Warning

Follow these precautions to prevent personal injury during use and maintenance of this equipment:

- It is the responsibility of the equipment owner to perform a Personal Protective Equipment Hazard Assessment to ensure adequate protection during maintenance procedures.
- Do Not Store Or Use Gasoline Or Other Flammable Vapors Or Liquids In The Vicinity Of This Or Any Other Appliance. Never use flammable oil soaked cloths or combustible cleaning solutions for cleaning.
- Appliance. Never use flammable oil soaked cloths or combustible cleaning solutions for cleaning.
- All covers and access panels must be in place and properly secured when operating this equipment.
- Risk of fire/shock. All minimum clearances must be maintained. Do not obstruct vents or openings.
- Failure to disconnect power at the main power supply disconnect could result in serious injury or death. The power switch DOES NOT disconnect all incoming power.
- All utility connections and fixtures must be maintained in accordance with the authority having jurisdiction.
- Turn off and lockout all utilities (gas, electric, water) according to approved practices during maintenance or servicing.
- Units with two power cords must be plugged into individual branch circuits. During movement, cleaning or repair it is necessary to unplug both power cords.

We reserve the right to make product improvements at any time. Specifications and design are subject to change without notice.

THIS PAGE INTENTIONALLY LEFT BLANK

Table of Contents - UnderCounter

Table of Contents - Modular 13

Safety Notices	205
Definitions	206

General Information

Model Numbers	217
How to Read a Model Number	218
Accessories	218
Bin Caster	218
De-scaler and Sanitizer	218
Ice Machine Warranty Information	219
Warranty	219
Warranty Registration	219

Installation

Location of Ice Machine	221
Ice Machine Clearance Requirements	222
Ice Machine Heat of Rejection	222
Leveling the Ice Machine	223
Electrical Requirements	224
Voltage	224
Fuse/Circuit Breaker	224
Total Circuit Ampacity	224
Electrical Specifications	225
Air-Cooled Ice Machine	225
Water-Cooled Ice Machines	225
Water Service/Drains	226
Water Supply	226
Water Inlet Lines	226
Drain Connections	226
Water Supply and Drain Line Sizing/Connections	227
Cooling Tower Applications	228

Component Identification

Evaporator Compartment	229
-------------------------------------	-----

Maintenance

Ice Machine Inspection	231
Exterior Cleaning	231
Cleaning the Condenser	231
Interior De-scaling and Sanitizing	233

Removal from Service/Winterization

246

Operation

Initial Start-up or Start-up After Automatic Shut-off	249
Freeze Sequence	249
Harvest Sequence	250
Automatic Shut-off	250
Energized Parts Chart	251

Operational Checks

252

Troubleshooting

Safety Limit Feature	255
Diagnosing an Ice Machine that Will Not Run	262

Troubleshooting By Symptom

263

Symptom #1	264
Symptom #2 - Refrigeration Component Diagnostic Chart	268
Symptom #3	299
Symptom #4	301

Component Check Procedures

Main Fuse	303
Bin Switch	304
Diagnosing Start Components	307
Capacitor	307
Relay	307
ON/OFF/WASH Toggle Switch	308
Ice Thickness Probe	309
Ice Thickness Check	310
Compressor Electrical Diagnostics	311
Fan Cycle Control	313
High Pressure Cutout (HPCO) Control	314
Filter-Driers	315

Refrigerant Recovery/Evacuation	316
Refrigerant Re-use Policy	317
Recovery and Recharging Procedures	319
System Contamination Cleanup	322
Mild System Contamination Cleanup Procedure	324
Severe System Contamination Cleanup Procedure	325
Replacing Pressure Controls without Removing Refrigerant Charge	327
KF0250/K0270 Condenser Fan Motor Access	329

Component Specifications

Main Fuse	331
Bin Switch	331
ON/OFF/WASH Toggle Switch	331
Fan Control Cycle	331
High Pressure Cutout (HPCO) Control	331
Filter-Driers	331
Total System Refrigerant Charge	332

Charts

Cycle Times, 24 Hr. Ice Production and Refrigerant Pressure Charts	333
KF0150A Self-Contained Air-Cooled	334
K0170A Self-Contained Air-Cooled	335
KF0250 Self-Contained Air-Cooled	336
K0270 Self-Contained Air-Cooled	337
K0270 Self-Contained Water-Cooled	338

Diagrams

Wiring Diagrams	339
KF0150/K0170 Wiring Diagram	340
KF0250/K0270 Wiring Diagram	342
Electronic Control Board	344
KF0150/K0170/KF0250/K0270 Tubing Schematic	344

THIS PAGE INTENTIONALLY LEFT BLANK

General Information

Model Numbers

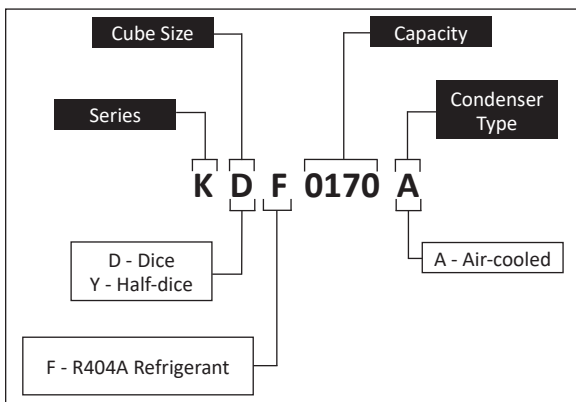
This manual covers the following models:

Self-contained Air-cooled	Self-contained Water-cooled
KDF0150A	N/A
KYF0150A	N/A
KD0172A	N/A
KY0174A	N/A
KDF0250A	N/A
KYF0250A	N/A
KR0270A	KR0271W
KD0272A	KD0273W
KY0274A	KY0275W

Warning

An ice machine contains high voltage electricity and refrigerant charge. Repairs are to be performed by properly trained refrigeration technicians aware of the dangers of dealing with high voltage electricity and refrigerant under pressure.

How to Read a Model Number



Accessories

Contact your distributor for these optional accessories:

BIN CASTER

Replaces standard legs.

DE-SCALER AND SANITIZER

Manitowoc Ice Machine De-scaler and Sanitizer are available in convenient 16 oz. (473 ml) and 1 gal (3.78 l) bottles. These are the only cleaner and sanitizer approved for use with Koolaire® products.

Cleaner Part Number		Sanitizer Part Number	
16 oz	9404563	16 oz	9405653
1 Gallon	9405803	1 Gallon	9405813

Ice Machine Warranty Information

Warranty

For warranty information visit:

www.kool-aire.com/Service/Warranty

- Warranty Coverage Information
- Warranty Registration
- Warranty Verification

Warranty coverage begins the day the ice machine is installed.

Warranty Registration

Completing the warranty registration process is a quick and easy way to protect your investment.

Scan the QR code with your smart device or enter the link in a web browser to complete your warranty registration.



www.kool-aire.com/Service/Warranty

Registering your product insures warranty coverage and streamlines the process if any warranty work is required.

THIS PAGE INTENTIONALLY LEFT BLANK

Installation

Location of Ice Machine

The location selected for the ice machine must meet the following criteria. If any of these criteria are not met, select another location.

- The location must be indoors.
- The location must be free of airborne and other contaminants.
- Air temperature:
 - Must be at least 40°F (4°C) but must not exceed 110°F (43.4°C).
- The location must not be near heat-generating equipment or in direct sunlight.
- The location must be capable of supporting the weight of the ice machine and a full bin of ice.
- The location must allow enough clearance for water, drain, and electrical connections in the **rear of the ice machine**.
- The location must not obstruct airflow through or around the ice machine (condenser airflow is in and out the front). Refer to the chart below for clearance requirements.
- The ice machine must be protected if it will be subjected to temperatures below 32°F (0°C). Failure caused by exposure to freezing temperatures is not covered by the warranty.

Ice Machine Clearance Requirements

Self-contained Air-cooled	
Top/Sides	5" (127 mm)*
Back	5" (127 mm)*

*NOTE: The ice machine may be built into a cabinet.

There is no minimum clearance requirement for the top or left and right sides of the ice machine. The listed values are recommended for efficient operation and servicing only.

Ice Machine Heat of Rejection

Series Ice Machine	Heat of Rejection*	
	Air Conditioning**	Peak
KF0150	2200	2600
K0170	2200	2600
KF0250	3800	6000
K0270	3800	6000
* B.T.U./Hour		
** Because the heat of rejection varies during the ice making cycle, the figure shown is an average.		

Ice machines, like other refrigeration equipment, reject heat through the condenser. It is helpful to know the amount of heat rejected by the ice machine when sizing air conditioning equipment where self-contained air-cooled ice machines are installed.

Leveling the Ice Machine

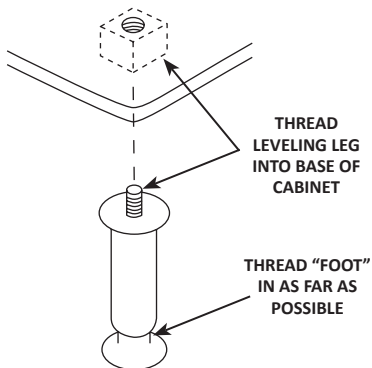
1. Screw the leveling legs onto the bottom of the ice machine.
2. Screw the foot of each leg in as far as possible.

Caution

The legs must be screwed in tightly to prevent them from bending.

3. Move the ice machine into its final position.
4. Level the ice machine to ensure that the siphon system functions correctly. Use a level on top of the ice machine. Turn each foot as necessary to level the ice machine from front to back and side to side.

NOTE: An optional 2-1/2" (6.35 cm) caster assembly is available for use in place of the legs. Installation instructions are supplied with the casters.



SV1606

Leg Installation

Electrical Requirements

VOLTAGE

The maximum allowable voltage variation is $\pm 10\%$ of the rated voltage on the ice machine model/serial number plate at start-up (when the electrical load is highest).

The 115/1/60 ice machines are factory pre-wired with a 6' (1.8 m) power cord, and NEMA 5-15P-plug configuration.

The 208-230/1/60 and 230/1/50 ice machines are factory pre-wired with a power cord only, no plug is supplied.

FUSE/CIRCUIT BREAKER

A separate fuse/circuit breaker must be provided for each ice machine. Circuit breakers must be H.A.C.R. rated (does not apply in Canada).

TOTAL CIRCUIT AMPACITY

The total circuit ampacity is used to help select the wire size of the electrical supply.

The wire size (or gauge) is also dependent upon location, materials used, length of run, etc., so it must be determined by a qualified electrician.

Electrical Specifications

AIR-COOLED ICE MACHINE

Ice Machine	Voltage Phase Cycle	Max. Fuse/ Circuit Breaker	Total Amps
KF0150	115/60/1	15 amp	7.4
K0170	115/1/60	15 amp	7.0
	208/1/60	15 amp	3.5
	230/1/50	15 amp	4.0
KF0250	115/60/1	15 amp	11.8
K0270	115/1/60	15 amp	10.7
	208-230/1/60	15 amp	5.2
	230/1/50	15 amp	5.2

Warning

All wiring must conform to local, state and national codes.

Warning

The ice machine must be grounded in accordance with national and local electrical code.

WATER-COOLED ICE MACHINES

Ice Machine	Voltage Phase Cycle	Max. Fuse/ Circuit Breaker	Total Amps
K0170	115/1/60	15 amp	6.3
	208/1/60	15 amp	3.6
	230/1/50	15 amp	4.0
K0270	115/1/60	15 amp	9.9
	208-230/1/60	15 amp	4.7
	230/1/50	15 amp	4.7

Water Service/Drains

WATER SUPPLY

Local water conditions may require treatment of the water to inhibit scale formation, filter sediment, and remove chlorine odor and taste.

Important

If you are installing a water filter system, refer to the Installation Instructions supplied with the filter system for ice making water inlet connections.

WATER INLET LINES

Follow these guidelines to install water inlet lines:

- Do not connect the ice machine to a hot water supply. Be sure all hot water restrictors installed for other equipment are working. (Check valves on sink faucets, dishwashers, etc.)
- If water pressure exceeds the maximum recommended pressure, 80 psig (5.5 bar) obtain a water pressure regulator from your distributor.
- Install a water shut-off valve for ice making potable water.
- Insulate water inlet lines to prevent condensation.

DRAIN CONNECTIONS

Follow these guidelines when installing drain lines to prevent drain water from flowing back into the ice machine and storage bin:

- Drain lines must have a 1.5-inch drop per 5 feet of run (2.5 cm per meter), and must not create traps.
- The floor drain must be large enough to accommodate drainage from all drains.
- Run separate bin and ice machine drain lines. Insulate them to prevent condensation.
- Vent the bin and ice machine drain to the atmosphere.

WATER SUPPLY AND DRAIN LINE SIZING/ CONNECTIONS

	Bin Drain	Condenser Water Drain	Condenser Water Inlet	Ice Making Water Inlet	Location
	—	—	33°F (0.6°C) min. 90°F (32.2°C) max.	40°F (4°C) min. 90°F (32.2°C) max.	Water Temperature
	—	—	20 psi (1.38 bar) min. 150 psi (10.3 bar) max.	20 psi (1.38 bar) min. 80 psi (5.5 bar) max.	Water Pressure
	1/2" Female Pipe Thread	3/8" Female Pipe Thread	3/8" Female Pipe Thread	3/8" Female Pipe Thread	Ice Machine Fitting
	1/2" (12.7 mm) min. inside diameter	3/8" (9.5 mm) min. inside diameter	3/8" (9.5 mm) min. inside diameter	3/8" (9.5 mm) min. inside diameter	Tubing Size Up to Ice Machine Fitting

COOLING TOWER APPLICATIONS

Water Cooled Models Only

A water-cooling tower installation does not require modification of the ice machine. The water regulator valve for the condenser continues to control the refrigeration discharge pressure.

It is necessary to know the amount of heat rejected, and the pressure drop through the condenser and water valves (inlet to outlet) when using a cooling tower on an ice machine.

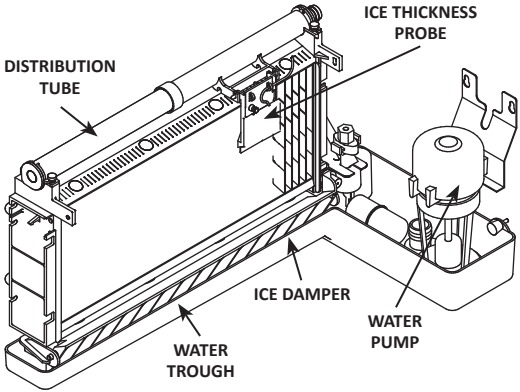
- Water entering the condenser must not exceed 90°F (32.2°C).
- Water flow through the condenser must not exceed 5 gallons (19 liters) per minute.
- Allow for a pressure drop of 7 psig (.48 bar) between the condenser water inlet and the outlet of the ice machine.
- Water exiting the condenser must not exceed 110°F (43.3°C).

 **Caution**

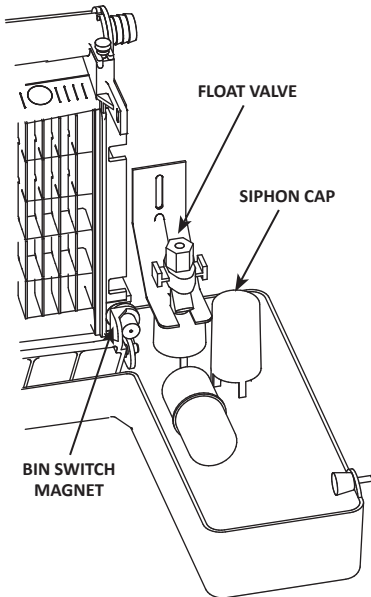
Plumbing must conform to state and local codes.

Component Identification

Evaporator Compartment

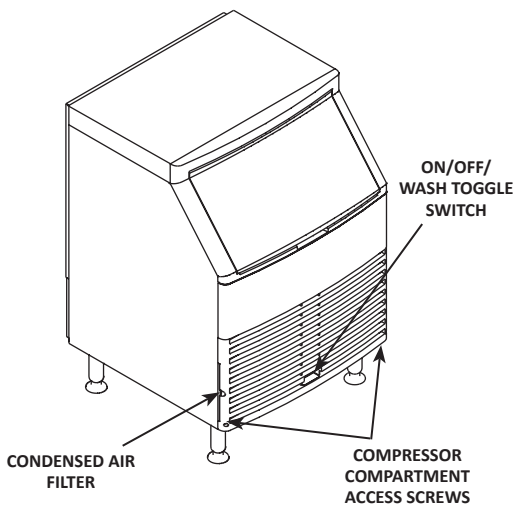


SV1694A

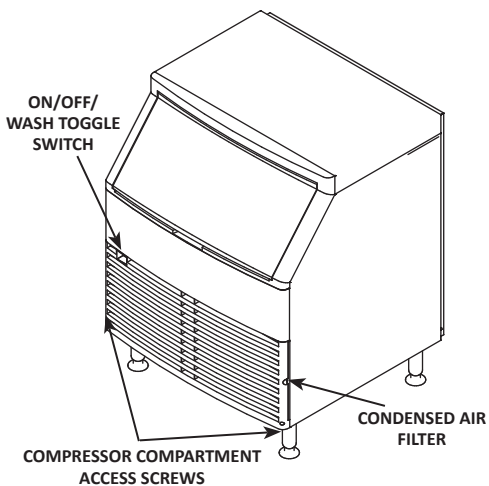


SV1695A

Evaporator Compartment



KF0150/K0170 Ice Machines



KF0250/K0270 Ice Machines

Maintenance

ICE MACHINE INSPECTION

Check all water fittings and lines for leaks. Also, make sure the refrigeration tubing is not rubbing or vibrating against other tubing, panels, etc.

Do not put anything (boxes, etc.) in front of the ice machine. There must be adequate airflow through and around the ice machine to maximize ice production and ensure long component life.

EXTERIOR CLEANING

Clean the area around the ice machine as often as necessary to maintain cleanliness and efficient operation.

Sponge any dust and dirt off the outside of the ice machine with mild soap and water. Wipe dry with a clean, soft cloth.

A commercial grade stainless steel cleaner/polish can be used as necessary.

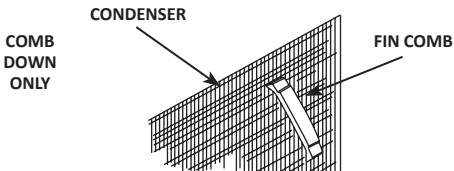
CLEANING THE CONDENSER

Warning

Disconnect electric power to the ice machine at the electric service switch before cleaning the condenser.

Caution

If you are cleaning the condenser fan blades with water, cover the fan motor to prevent water damage.



Air-cooled Condenser

A dirty condenser restricts airflow, resulting in excessively high operating temperatures. This reduces ice production and shortens component life. Clean the condenser at least every six months. Follow the steps below.

Warning

The condenser fins are sharp. Use care when cleaning them.

1. The washable aluminum filter on self-contained air-cooled ice machines is designed to catch dust, dirt, lint and grease. This helps keep the condenser clean. Clean the filter with a mild soap and water solution.
2. Clean the outside of the condenser with a soft brush or a vacuum with a brush attachment. Clean from top to bottom, not side to side. Be careful not to bend the condenser fins.
3. Shine a flashlight through the condenser to check for dirt between the fins. If dirt remains:
 - A. Blow compressed air through the condenser fins from the inside. Be careful not to bend the fan blades.
 - B. Use a commercial condenser coil cleaner. Follow the directions and cautions supplied with the cleaner.
4. Straighten any bent condenser fins with a fin comb.
5. Carefully wipe off the fan blades and motor with a soft cloth. Do not bend the fan blades. If the fan blades are excessively dirty, wash with warm, soapy water and rinse thoroughly.

INTERIOR DE-SCALING AND SANITIZING

General

De-scale and sanitize the ice machine every six months for efficient operation. If the ice machine requires more frequent de-scaling and sanitizing, consult a qualified service company to test the water quality and recommend appropriate water treatment.

The ice machine must be taken apart for de-scaling and sanitizing.

Caution

Use only Manitowoc Ice Machine De-scaler (part number 9505463) and Sanitizer (part number 9405653). It is a violation of Federal law to use these solutions in a manner inconsistent with their labeling. Read and understand all labels printed on bottles before use.

De-scaling and Sanitizing Procedure

Caution

Do not mix Ice Machine De-scaler and Sanitizer solutions together. It is a violation of Federal law to use these solutions in a manner inconsistent with their labeling.

Warning

Wear rubber gloves and safety goggles (and/or face shield) when handling Ice Machine De-scaler or Sanitizer.

Ice machine de-scaler is used to remove lime scale and mineral deposits. Ice machine sanitizer disinfects and removes algae and slime.

Step 1 Set the toggle switch to the OFF position after ice falls from the evaporator at the end of a Harvest cycle. Or, set the switch to the OFF position and allow the ice to melt off the evaporator.

 **Caution**

Never use anything to force ice from the evaporator. Damage may result.

Step 2 Remove all ice from the bin.

Step 3 To start a cleaning cycle, move the toggle switch to the WASH position.

Step 4 Add the proper amount of Ice Machine De-scaler to the water trough.

Model	Amount of De-scaler
KF0150 K0170	2 ounces (60 ml)
KF0250 K0270	2 ounces (60 ml)

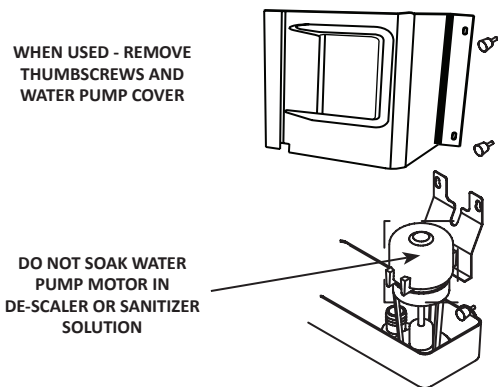
Step 5 Wait until the clean cycle is complete (approximately 22 minutes) then place the toggle switch in the OFF position, disconnect power and water supplies to the ice machine.

 **Warning**

Disconnect electric power to the ice machine at the electric switch box before proceeding.

Step 6 Remove parts for de-scaling.

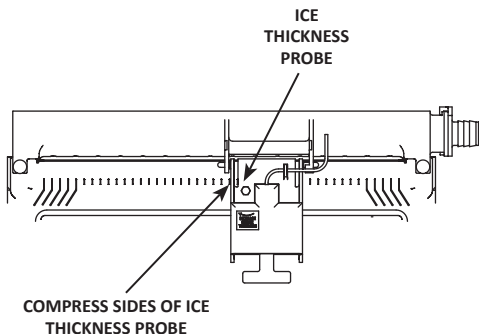
- A. Remove Two Thumbscrews and Water Pump Cover (When Used).**
- B. Remove the Vinyl Hose Connecting the Water Pump and Water Distribution Tube**
- C. Remove Water Pump**
 - Disconnect the water pump power cord
 - Loosen the screws securing the pump-mounting bracket to the bulkhead
 - Lift the pump and bracket assembly off the mounting screws.



Water Pump Removal

D. Remove the Ice Thickness Probe

- Compress the side of the ice thickness probe near the top hinge pin and remove it from the bracket.



SV1138A

Ice Thickness Probe Removal

NOTE: At this point, the ice thickness probe can easily be de-scaled. If complete removal is desired, follow the ice thickness probe wire to the bulkhead grommet (exit point) in the back wall. Pop the bulkhead grommet out of the back wall by inserting fingernails or a flat object between the back wall and the grommet and prying forward. Pull the bulkhead grommet and wire forward until the connector is accessible, then disconnect the wire lead from the connector.

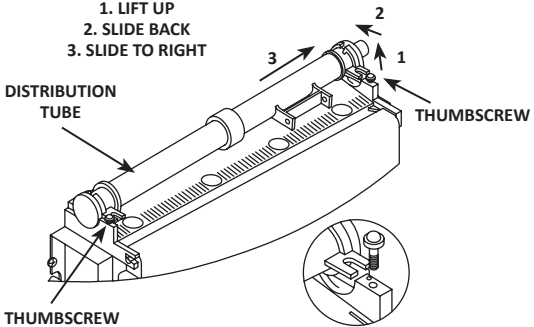
Ice Thickness Probe De-scaling

- Mix a solution of ice machine de-scaler and water (2 ounces of de-scaler to 16 ounces of water) in a container.
- Soak the ice thickness probe a minimum of 10 minutes.

De-scale all ice thickness probe surfaces and verify the ice thickness probe cavity is clean. Rinse thoroughly with clean water, then dry completely. Incomplete rinsing and drying of the ice thickness probe can cause premature harvest.

E. Remove the Water Distribution Tube

1. LIFT UP
2. SLIDE BACK
3. SLIDE TO RIGHT



SV1630

Water Distribution Tube Removal

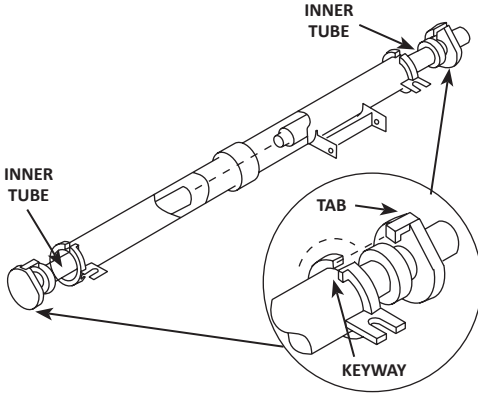
- Loosen the two thumbscrews, which secure the distribution tube.
- Lift the right side of the distribution tube up off the locating pin, then slide it back and to the right.

Caution

Do not force this removal. Be sure the locating pin is clear of the hole before sliding the distribution tube out.

Disassembly

- Twist both of the inner tube ends until the tabs line up with the keyway.
- Pull the inner tube ends outward.

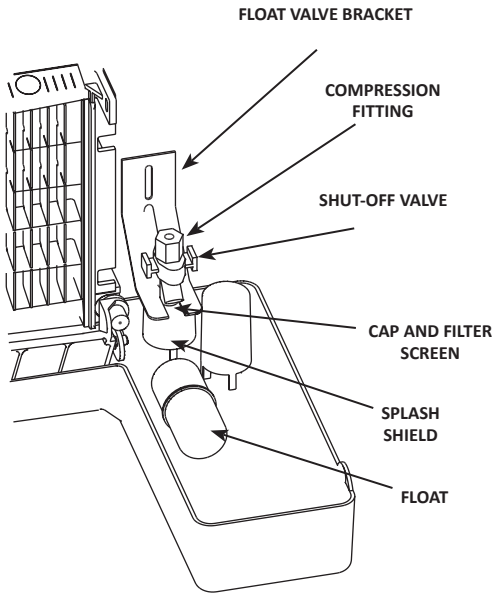


SV1211

Water Distribution Tube Disassembly

F. Remove the Float Valve

- Turn the splash shield counterclockwise one or two turns.



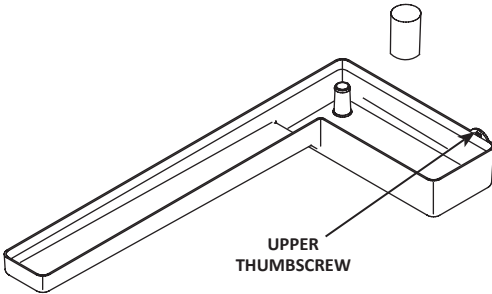
SV1695-2

Float Valve Removal

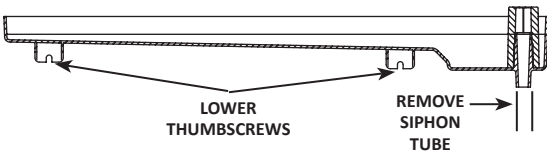
- Pull the float valve forward and off the mounting bracket.
- Disconnect the water inlet tube from the float valve at the compression fitting.
- Remove the cap and filter screen for cleaning.

G. Remove the Water Trough

- Apply downward pressure on the siphon tube and remove from the bottom of the water trough.
- Remove the upper thumbscrew.
- While supporting the water trough remove the two thumbscrews from beneath the water trough.
- Remove the water trough from the bin area.



SV1689-1

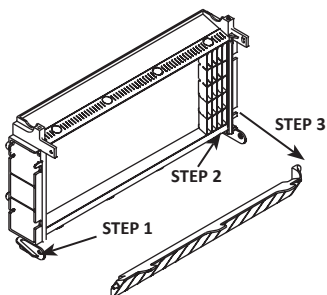


SV1689-2

Remove the Ice Damper

H. Remove the ice damper

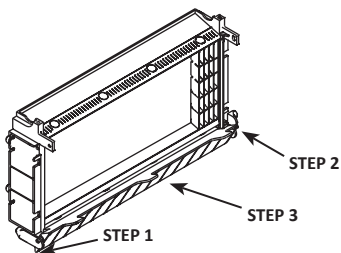
- Grasp ice damper and apply pressure toward the left-hand mounting bracket.
- Apply pressure to the right-hand mounting bracket with thumb.
- Pull ice damper forward when the right-hand ice damper pin disengages.



SV1742A

Installation

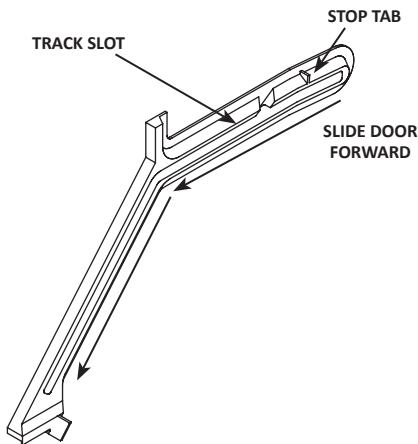
- Place ice damper pin in left-hand mounting bracket and apply pressure toward the left-hand mounting bracket.
- Apply pressure to the right-hand mounting bracket with thumb.
- Push ice damper toward evaporator until right-hand damper pin engages.



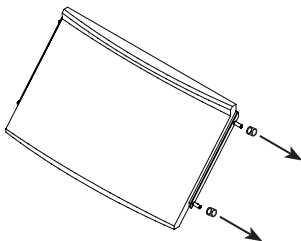
SV1742H

Remove the Bin Door

- Grasp the rear of the bin door and pull bin door forward approximately 5".
- Slide bin door to the rear while applying upward pressure (The rear door pins will ride up into the track slot and slide backward to the stop tab).
- While applying pressure against the bin door pull down on the rear of each bin door track until the door pins clear the stop tabs.
- Slide the rear door pins off the end and then below the door track. Slide bin door forward allowing the back of the door to lower into the bin. Continue forward with the bin door until the front pins bottom out in the track.
- Lift right side of door until the front pins clear the track, then remove door from bin.
- Remove rollers (4) from all door pins.



SV1748



Step 7 Mix a solution of de-scaler and warm water. Depending on the amount of mineral buildup, a larger quantity of solution may be required. Use the ratio in the table below to mix enough solution to thoroughly de-scale all parts.

Solution Type	Water	Mixed with
De-scaler	1 gal. (4 l)	16 oz (500 ml) de-scaler

Step 8 Use 1/2 of the de-scaler solution to de-scale all components. The solution will foam when it contacts lime scale and mineral deposits; once the foaming stops use a soft bristle brush, sponge or cloth (not a wire brush) to carefully de-scale the parts. Soak the parts for 5 minutes (15 – 20 minutes for heavily scaled parts). Rinse all components with clean water.

Step 9 While components are soaking, use 1/2 of the solution to de-scale all foodzone surfaces of the ice machine and bin. Use a nylon brush or cloth to thoroughly de-scale the following ice machine areas:

- Evaporator plastic parts – including top, bottom and sides
- Bin bottom, sides and top

Rinse all areas thoroughly with clean water.

Step 10 Mix a solution of sanitizer and warm water.

Solution Type	Water	Mixed With
Sanitizer	6 gal. (23 l)	4 oz (120 ml) sanitizer

Step 11 Use 1/2 of the sanitizer/water solution to sanitize all removed components. Use a cloth or sponge to liberally apply the solution to all surfaces of the removed parts or soak the removed parts in the sanitizer/water solution. Do not rinse parts after sanitizing.

Step 12 Use 1/2 of the sanitizer/water solution to sanitize all foodzone surfaces of the ice machine and bin. Use a cloth or sponge to liberally apply the solution. When sanitizing, pay particular attention to the following areas:

- Evaporator plastic parts - including top, bottom and sides
- Bin bottom, sides and top

Do not rinse the sanitized areas.

Step 13 Replace all removed components.

Step 14 Reapply power and water to the ice machine and place the toggle switch in the WASH position.

Add the proper amount of Ice Machine Sanitizer to the water trough.

Model	Amount of Sanitizer
KF0150 K0170	2.2 ounces (66 ml)
KF0250 K0270	1.9 ounces (57 ml)

Step 15 Wait until the sanitize cycle is complete (approximately 22 minutes) then place the toggle switch in the OFF position, disconnect power and water supplies to the ice machine.

 Warning

Disconnect electric power to the ice machine at the electric switch box before proceeding.

Step 16 Repeat step 6 to remove parts for hand sanitizing.

Step 17 Mix a solution of sanitizer and warm water.

Solution Type	Water	Mixed With
Sanitizer	6 gal. (23 l)	4 oz (120 ml) sanitizer

Step 18 Use 1/2 of the sanitizer/water solution to sanitize all removed components. Use a cloth or sponge to liberally apply the solution to all surfaces of the removed parts or soak the removed parts in the sanitizer/water solution. Do not rinse parts after sanitizing.

Step 19 Use 1/2 of the sanitizer/water solution to sanitize all foodzone surfaces of the ice machine and bin. Use a cloth or sponge to liberally apply the solution. When sanitizing, pay particular attention to the following areas:

- Evaporator plastic parts - including top, bottom and sides
- Bin bottom, sides and top

Do not rinse the sanitized areas.

Step 20 Replace all removed components.

Step 21 Reapply power and water to the ice machine and place the toggle switch in the ICE position.

Removal from Service/Winterization

General

Special precautions must be taken if the ice machine is to be removed from service for an extended period of time or exposed to ambient temperatures of 32°F (0°C) or below.

Caution

If water is allowed to remain in the ice machine in freezing temperatures, severe damage to some components could result. Damage of this nature is not covered by the warranty.

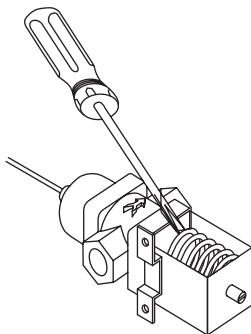
Follow the applicable procedure below.

Self-contained Air-cooled Models

1. Disconnect the electric power at the circuit breaker or the electric service switch.
2. Turn off the water supply.
3. Remove the water from the water trough.
4. Disconnect and drain the incoming ice-making water line at the rear of the ice machine.
5. Blow compressed air in both the incoming water and the drain openings in the rear of the ice machine until no more water comes out of the inlet water lines or the drain.
6. Make sure water is not trapped in any of the water lines, drain lines, distribution tubes, etc.

Water-cooled Ice Machines

1. Perform steps 1-6 under “Self-contained Air-cooled Models” on page 246.
2. Disconnect the incoming water and drain lines from the water-cooled condenser.
3. Insert a large screwdriver between the bottom spring coils of the water regulating valve. Pry upward to open the valve.



SV1624

Pry Open the Water Regulating Valve

4. Hold the valve open and blow compressed air through the condenser until no water remains.

THIS PAGE INTENTIONALLY LEFT BLANK

Operation

INITIAL START-UP OR START-UP AFTER AUTOMATIC SHUT-OFF

1. Pressure Equalization

Before the compressor starts the harvest valve is energized for 15 seconds to equalize pressures during the initial refrigeration system start-up.

2. Refrigeration System Start-up

The compressor starts after the 15-second pressure equalization, and remains on throughout the entire Freeze and Harvest Sequences. The harvest valve remains on for 5 seconds during initial compressor start-up and then shuts off.

At the same time the compressor starts, the condenser fan motor (air-cooled models) is supplied with power throughout the entire Freeze and Harvest Sequences. The fan motor is wired through a fan cycle pressure control, therefore it may cycle on and off. (The compressor and condenser fan motor are wired through the relay. As a result, any time the relay coil is energized, the compressor and fan motor are supplied with power.)

FREEZE SEQUENCE

3. Prechill

The compressor is on for 30 seconds prior to water flow to prechill the evaporator.

4. Freeze

The water pump starts after the 30-second prechill. An even flow of water is directed across the evaporator and into each cube cell, where it freezes.

When sufficient ice has formed, the water flow (not the ice) contacts the ice thickness probe. After approximately 7 seconds of continual water contact, the Harvest Sequence is initiated. The ice machine cannot initiate a Harvest Sequence until a 6-minute freeze time has been surpassed.

HARVEST SEQUENCE

5. Harvest

The water pump de-energizes stopping flow over the evaporator. The rising level of water in the sump trough diverts water out of the overflow tube, purging excess minerals from the sump trough. The harvest valve also opens to divert hot refrigerant gas into the evaporator.

The refrigerant gas warms the evaporator causing the cubes to slide, as a sheet, off the evaporator and into the storage bin. The sliding sheet of cubes contacts the ice damper, opening the bin switch.

The momentary opening and re-closing of the bin switch terminates the Harvest Sequence and returns the ice machine to the Freeze Sequence (steps 3 - 4).

AUTOMATIC SHUT-OFF

6. Automatic Shut-off

When the storage bin is full at the end of a harvest sequence, the sheet of cubes fails to clear the ice damper and will hold it down. After the ice damper is held open for 7 seconds, the ice machine shuts off. The ice machine remains off for 3 minutes before it can automatically restart.

The ice machine remains off until enough ice has been removed from the storage bin to allow the ice to fall clear of the damper. As the ice damper swings back to the operating position, the bin switch re-closes and the ice machine restarts (steps 1 - 2), provided the 3 minute delay period is complete.

ENERGIZED PARTS CHART

ICE MAKING SEQUENCE OF OPERATION	Control Board Relays				Relay		Length of Time
	1 Water Pump	2 Harvest Valve	3 Relay Coil	3A Compressor	3B Compressor Fan Motor*		
Initial Start-up 1. Water purge	off	on	off	off	off	15 seconds	
2. Refrigeration System Start-up	off	on	on	on	on	5 seconds	
Freeze Sequence 3. Pre chill	off	off	on	on	on	30 seconds	
4. Freeze	on	off	on	on	on	Until 7 sec. Water contact w/ice thickness probe	
Harvest Sequence 5. Harvest	off	on	on	on	on	Bin switch activation	
Automatic Shut-off 6. Auto Shut-off	off	off	off	off	off	Until bin switch re-closes	

* Condenser Fan Motor: The fan motor is wired through a fan cycle pressure control; therefore, it may cycle on and off.

Operational Checks

Siphon System

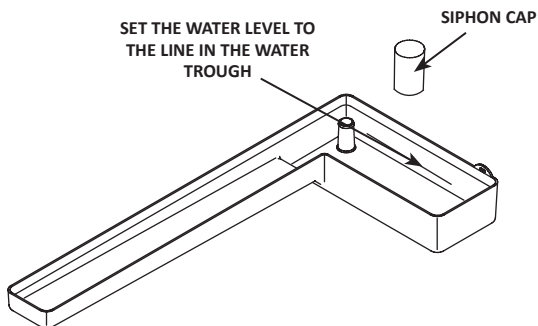
To reduce mineral build-up and de-scaling frequency, the water in the sump trough must be purged during each harvest cycle.

When the water pump de-energizes, the level in the water trough rises above the standpipe, starting a siphon action. The siphon action stops when the water level in the sump trough drops. When the siphon action stops, the float valve refills the water trough to the correct level.

Follow steps 1 through 6 under water level check to verify the siphon system functions correctly.

Water Level

Check the water level while the ice machine is in the ice mode and the water pump is running. The correct water level is 1/4" (6.3 mm) to 3/8" (9.5 mm) below the top of the standpipe. A line in the water trough indicates the correct level.



SV1689-1

Water Level Check

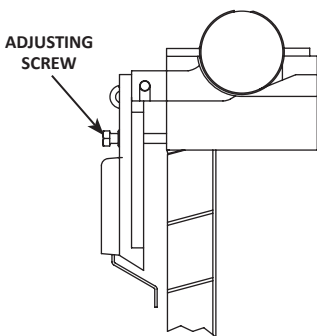
The float valve is factory-set for the proper water level. If adjustments are necessary:

1. Verify the ice machine is level.
2. Remove the siphon cap from the standpipe.
3. Place the main ON/OFF/WASH toggle switch to the ON position, and wait until the float valve stops adding water.
4. Adjust the water level to [1/4" to 3/8" (6.3 to 9.5 mm) below the standpipe] the line in the water trough:
 - A. Loosen the two screws on the float valve bracket.
 - B. Raise or lower the float valve assembly as necessary, then tighten the screws.
5. Move the main ON/OFF/WASH toggle switch to the OFF position. The water level in the trough will rise above the standpipe and run down the drain.
6. Replace the siphon cap on the standpipe, and verify water level and siphon action by repeating steps 3 through 5.

Ice Thickness Check

After a harvest cycle, inspect the ice cubes in the ice storage bin. The ice thickness probe is set to maintain an ice bridge of 1/8" (3.2 mm). If an adjustment is needed, follow the steps below.

1. Turn the ice thickness probe adjustment screw clockwise for a thicker ice bridge, or counterclockwise for a thinner ice bridge.
2. Make sure the ice thickness probe wire and bracket does not restrict movement of the probe.



Ice Thickness Adjustment

Troubleshooting

SAFETY LIMIT FEATURE

In addition to the standard safety controls, your Koolaire® ice machine features built-in safety limits that will stop the ice machine if conditions arise which could cause a major component failure.

Before calling for service, re-start the ice machine using the following procedure:

1. Move the ON/OFF/WASH switch to OFF and then back to ON.
2. If the safety limit feature has stopped the ice machine, it will restart after a short delay. Proceed to step 4.
3. If the ice machine does not restart, see “Ice machine does not operate”.
4. Allow the ice machine to run to determine if the condition is reoccurring.
 - A. If the ice machine stops again, the condition has reoccurred. Call for service.
 - B. If the ice machine continues to run, the condition has corrected itself. Allow the ice machine to continue running.

Safety Limits

In addition to standard safety controls, the control board has two built in safety limit controls which protect the ice machine from major component failures.

Safety Limit #1: If the freeze time reaches 60 minutes, the control board automatically initiates a harvest cycle. 3 cycles outside the time limit = 1 hour Stand-by Mode.

Safety Limit #2: If the harvest time reaches 3.5 minutes, the control board automatically returns the ice machine to the freeze cycle. 3 cycles outside the time limit = Safety Limit (must be MANUALLY reset).

Safety Limit Stand-by Mode: The first time a safety limit shut down occurs, the ice machine turns off for 60 minutes (Stand-by Mode). The ice machine will then automatically restart to see if the problem reoccurs. During the Stand-by Mode the harvest light will be flashing continuously and a safety limit indication can be viewed. If the same safety limit is reached a second time (the problem has reoccurred), the ice machine will initiate a safety limit shut down and remain off until it is manually restarted. During a safety limit shut down the harvest light will be flashing continuously.

Determining Which Safety Limit Stopped the Ice Machine:

When a safety limit condition causes the ice machine to stop, the harvest light on the control board continually flashes on and off. Use the following procedures to determine which safety limit has stopped the ice machine.

1. Move the toggle switch to OFF.
2. Move the toggle switch back to ON.
3. Watch the harvest light. It will flash one or two times, corresponding to safety limits 1 and 2, to indicate which safety limit stopped the ice machine.

After safety limit indication, the ice machine will restart and run until a safety limit is exceeded again.

Safety Limit Notes

- A safety limit indication is completed before the water pump starts. Water contacting the ice thickness probe in the freeze cycle will cause the harvest light to flash. Do not mistake a harvest light flashing in the freeze cycle with a safety limit indication.
- A continuous run of 100 harvests automatically erases the safety limit code.
- The control board will store and indicate only one safety limit – the last one exceeded.
- If the toggle switch is moved to the OFF position and then back to the ON position prior to reaching the 100-harvest point, the last safety limit exceeded will be indicated.
- If the harvest light did not flash prior to the ice machine restarting, then the ice machine did not stop because it exceeded a safety limit.

ANALYZING WHY SAFETY LIMITS MAY STOP THE ICE MACHINE

According to the refrigeration industry, a high percentage of compressor failure is a result of external causes. These can include flooding or starving expansion valves, dirty condensers, water loss to the ice machine, etc. The safety limits protect the ice machine (primarily the compressor) from external failures by stopping ice machine operation before major component damage occurs.

The safety limit system is similar to a high-pressure cutout control. It stops the ice machine, but does not tell what is wrong. The service technician must analyze the system to determine what caused the high-pressure cutout, or a particular safety limit, to stop the ice machine.

The safety limits are designed to stop the ice machine prior to major component failures, most often a minor problem or something external to the ice machine. This may be difficult to diagnose, as many external problems occur intermittently.

Example: An ice machine stops intermittently on safety limit #1 (long freeze times). The problem could be a low ambient temperature at night, a water pressure drop; the water is turned off one night a week, etc.

When a high-pressure cutout or a safety limit stops the ice machine, they are doing what they are supposed to do. That is, stopping the ice machine before a major component failure occurs.

Refrigeration and electrical component failures may also trip a safety limit. Eliminate all electrical components and external causes first. If it appears that the refrigeration system is causing the problem, use the Refrigeration System Operational Analysis Table, along with detailed charts, checklists, and other references to determine the cause.

Safety Limit Checklist

The following checklists are designed to assist the service technician in analysis. However, because there are many possible external problems, do not limit your diagnosis to only the items listed.

Safety Limit #1

Freeze time exceeds 60 minutes for 6 consecutive freeze cycles.

Possible Cause Checklist

Improper Installation

- Refer to “Installation and Visual Inspection Checklist” on page 277

Water System

- Water Level set too high (water escaping through over flow tube)
- Low water pressure (20 psig min.)
- High water pressure (80 psig max.)
- High water temperature (90°F/32.2°C max.)
- Clogged water distribution tube
- Dirty/defective float valve
- Defective water pump

Electrical System

- Ice thickness probe out of adjustment
- Harvest cycle not initiated electrically
- Compressor relay not energizing
- Compressor electrically non-operational
- High inlet air temperature (110°F/43.3°C max.)
- Defective fan cycling control
- Defective fan motor
- Dirty condenser

Refrigeration System

- Restricted condenser air flow
- Condenser discharge air re-circulation
- Dirty condenser fins
- Non-OEM components
- Improper refrigerant charge
- Defective compressor
- TXV starving or flooding (check bulb mounting)
- Non-condensable in refrigeration system
- Plugged or restricted high side refrigerant lines or component
- Defective harvest valve

Safety Limit #2

Harvest time exceeds 3.5 minutes for 6 Consecutive harvest cycles.

Possible Cause Checklist

Improper Installation

- Refer to “Installation and Visual Inspection Checklist” on page 277.

Water System

- Water area (evaporator) dirty
- Dirty/defective water dump valve
- Vent tube not installed on water outlet drain
- Water freezing behind evaporator
- Plastic extrusions and gaskets not securely mounted to the evaporator
- Low water pressure (20 psig min.)
- Loss of water from sump area
- Clogged water distribution tube
- Dirty/defective float valve
- Defective water pump

Electrical System

- Ice thickness probe out of adjustment
- Ice thickness probe dirty
- Bin switch defective
- Premature harvest

Refrigeration System

- Non-OEM components
- Improper refrigerant charge
- Defective harvest valve
- TXV flooding (check bulb mounting)
- Defective fan cycling control

DIAGNOSING AN ICE MACHINE THAT WILL NOT RUN

Warning

High (line) voltage is applied to the control board (terminals #2 and #4) at all times. Removing control board fuse or moving the toggle switch to OFF will not remove the power supplied to the control board.

1. Verify primary voltage is supplied to ice machine and the fuse/circuit breaker is closed.
2. Verify control board fuse is okay.
3. If the bin switch light functions, the fuse is okay.
4. Verify the bin switch functions properly. A defective bin switch can falsely indicate a full bin of ice.
5. Verify ON/OFF/WASH toggle switch functions properly. A defective toggle switch may keep the ice machine in the OFF mode.
6. Verify low DC voltage is properly grounded. Loose DC wire connections may intermittently stop the ice machine.
7. Replace the control board.
8. Be sure Steps 1 – 5 were followed thoroughly. Intermittent problems are not usually related to the control board.

Troubleshooting By Symptom

The troubleshooting procedures follow diagnostic charts. There are four symptoms, the symptom that you are experiencing will determine which diagnostic chart to use. The chart asks yes and no questions to determine the problem. The diagnostic chart will direct you to a procedure to correct the problem.

SYMPTOM #1

Ice Machine Stops Running

Ice machine is in Ice Making cycle

or

Has a History of Shutting Down

- Refer to Ice Machine Stops Running diagnostic chart

SYMPTOM #2

Ice Machine has a Long Freeze Cycle

Ice Formation is Thick

or

Thin Ice Fill on Inlet or Outlet of Evaporator

or

Low Production

Service Fault (possible)

- Refer to Freeze Cycle Refrigeration System Operational Analysis Table

SYMPTOM #3

Ice Machine Will Not Harvest - Freeze Cycle is Normal and Ice Cubes are Not Melted After Harvest

Long Harvest (possible)

- Refer to Refrigeration Harvest Flow Chart

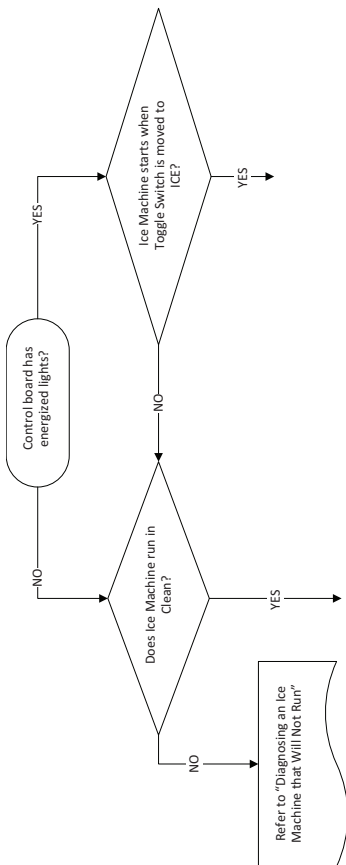
SYMPTOM #4

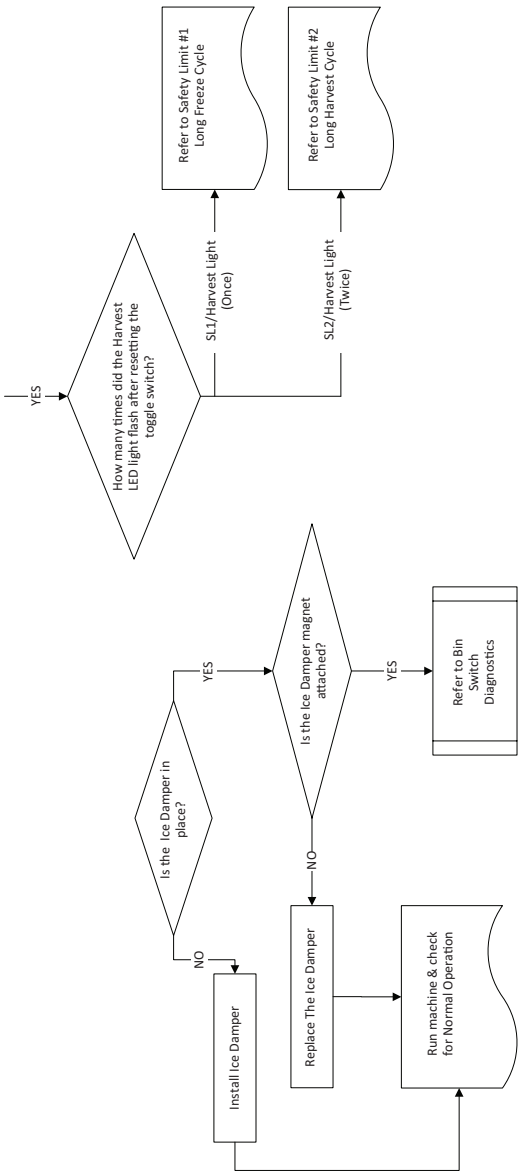
Ice Machine Will Not Harvest - Freeze Cycle is Normal and Ice Cubes are Melted After Harvest

- Refer to Ice Meltout Flow Chart

SYMPTOM #1

Ice Machine stops running or has history of shutting down





#2 - LOW PRODUCTION, LONG FREEZE CYCLE

Ice Machine has a Long Freeze Cycle

Ice Formation is Thick

or

Thin on Inlet or Outlet of Evaporator

or

Low Production

How to Use the Freeze Cycle Refrigeration System

Operational Analysis Table

GENERAL

These tables must be used with charts, checklists and other references to eliminate refrigeration components not listed on the tables and external items and problems which can cause good refrigeration components to appear defective.

The tables list five different defects that may affect the ice machine's operation.

NOTE: A low-on-charge ice machine and a starving expansion valve have very similar characteristics and are listed under the same column.

NOTE: Before starting, see "Before Beginning Service" for a few questions to ask when talking to the ice machine owner.

PROCEDURE

Step 1 Complete the "Operation Analysis" column.

Read down the left "Operational Analysis" column. Perform all procedures and check all information listed. Each item in this column has supporting reference material to help analyze each step.

While analyzing each item separately, you may find an "external problem" causing a good refrigerant component to appear bad. Correct problems as they are found. If the operational problem is found, it is not necessary to complete the remaining procedures.

Step 2 Enter Checkmarks (√).

Each time the actual findings of an item in the “Operational Analysis” column matches the published findings on the table, enter a Checkmark.

Example: Freeze cycle suction pressure is determined to be low. Enter a Checkmark in the “low” column.

Step 3 Add the Checkmarks listed under each of the four columns. Note the column number with the highest total and proceed to “Final Analysis.”

NOTE: If two columns have matching high numbers, a procedure was not performed properly, supporting material was not analyzed correctly or the problem component is not covered by the analysis table.

Before Beginning Service

Ice machines may experience operational problems only during certain times of the day or night. A machine may function properly while it is being serviced, but malfunctions later. Information provided by the user can help the technician start in the right direction, and may be a determining factor in the final diagnosis.

Ask these questions before beginning service:

- When does the ice machine malfunction? (night, day, all the time, only during the Freeze cycle, etc.)
- When do you notice low ice production? (one day a week, every day, on weekends, etc.)
- Can you describe exactly what the ice machine seems to be doing?
- Has anyone been working on the ice machine?
- During “store shutdown,” is the circuit breaker, water supply or air temperature altered?
- Is there any reason why incoming water pressure might rise or drop substantially?

SYMPTOM #2 - REFRIGERATION COMPONENT DIAGNOSTIC CHART

	1	2	3	4
<p>Operational Analysis</p>				
<p>Ice Production</p>		<p>Published 24 hour ice production _____ Calculated (actual) 24 hour ice production _____</p>		
<p>Installation and Water System</p>		<p>NOTE: The ice machine is operating properly if the ice fill pattern is normal and ice production is within 10% of charted capacity.</p>	<p>All installation and water related problems must be corrected before proceeding with chart.</p>	

<p>Operational Analysis</p>	<p>1</p>	<p>2</p>	<p>3</p>	<p>4</p>
<p>Ice Formation Pattern</p>	<p>Ice formation is extremely thin on top of evaporator -or- No ice formation on the entire evaporator</p>	<p>Ice formation extremely thin on top of the evaporator -or- No ice formation on entire evaporator</p>	<p>Ice formation is normal -or- Ice formation is extremely thin on the bottom of evaporator -or- no ice formation on evaporator</p>	<p>Ice formation is normal -or- No ice formation on entire evaporator</p>
<p>Safety Limits Refer to "Analyzing Safety Limits" to eliminate all non-refrigeration problems.</p>	<p>Stops on safety limit: 1 or 2</p>	<p>Stops on safety limit: 1</p>	<p>Stops on safety limit: 1 or 2</p>	<p>Stops on safety limit: 1</p>

Operational Analysis	1	2	3	4
<p style="text-align: center;">Freeze Cycle Discharge Pressure</p> <p>_____ Middle _____ End 1 minute _____ into cycle</p>	<p>If discharge pressure is High or Low, refer to freeze cycle high or low discharge pressure problem checklist to eliminate problems and/or components not listed on this table before proceeding.</p>			
<p style="text-align: center;">Freeze Cycle Suction Pressure</p> <p>_____ Middle _____ End 1 minute _____</p>	<p>If suction pressure is High or Low refer to freeze cycle high or low suction pressure problem checklist to eliminate problems and/or components not listed on this table before proceeding.</p>			
Suction pressure is High		Suction pressure is Low		Suction pressure is High

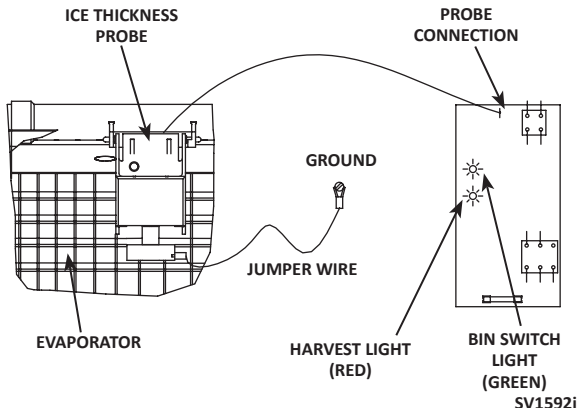
Operational Analysis	1	2	3	4
Harvest Valve	The harvest valve inlet is HOT and the compressor discharge line is HOT	The harvest valve inlet is COOL and the compressor discharge line is HOT	The harvest valve inlet is COOL and the compressor discharge line is COOL	The harvest valve inlet is COOL and the compressor discharge line is HOT
Discharge Line Temp. Record freeze cycle discharge line temp at the end of freeze cycle.	Discharge line temp 150°F (66°C) or higher at the end of freeze cycle	Discharge line temp 150°F (66°C) or higher at the end of freeze cycle	Discharge line temp less than 150°F (66°C) at the end of freeze cycle	Discharge line temp 150°F (66°C) or higher at the end of freeze cycle
Final Analysis Enter total number of boxes checked in each column.	Harvest Valve Leaking	Low On Charge -or- TXV Starving	TXV Flooding	Compressor

Diagnosing Ice Thickness Control Circuitry

Ice Machine Does Not Cycle Into Harvest when Water Contacts the Ice Thickness Control Probe

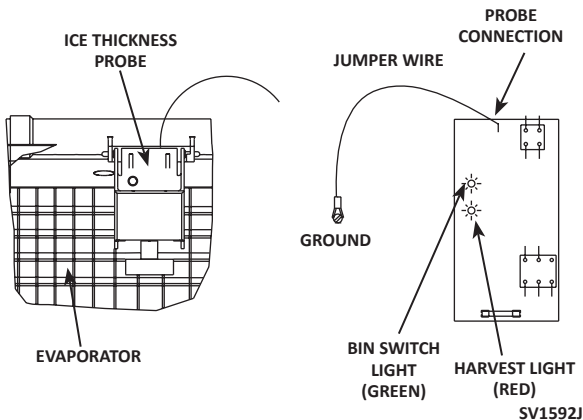
Step 1 Bypass the freeze time lock-in feature by moving the ON/OFF/WASH switch to OFF and back to ON. Wait until the water starts to flow over the evaporator.

Step 2 Clip the jumper wire to the ice thickness probe and any cabinet ground.



Step 2 Jumper wire connected from probe to ground	
Monitoring Harvest Light	Correction
The harvest light comes on, and 6-10 seconds later, ice machine cycles from freeze to harvest.	The ice thickness control circuitry is functioning properly. Do not change any parts.
The harvest light comes on but the ice machine stays in the freeze sequence.	The ice control circuitry is functioning properly. The ice machine is in a six minute freeze time lock-in. Verify Step 1 of this procedure was followed correctly.
The harvest light does not come on.	Proceed to Step 3.

Step 3 Disconnect the ice thickness probe from the control board terminal. Clip the jumper wire to the terminal on the control board and any cabinet ground. Monitor the harvest light.

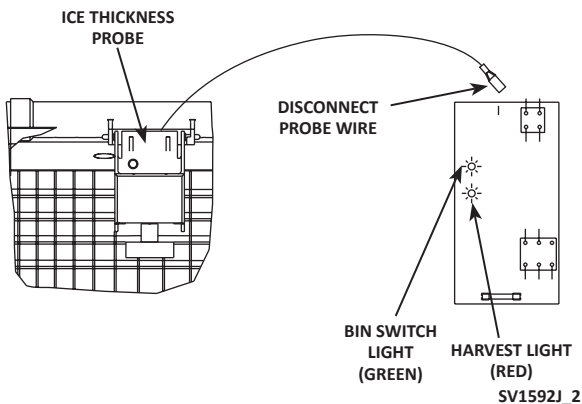


Step 3 Jumper wire connected from control board terminal to ground	
Monitoring Harvest Light	Correction
The harvest light comes on, and 6-10 seconds later, ice machine cycles from freeze to harvest.	The ice thickness probe is causing the malfunction.
The harvest light comes on but the ice machine stays in the freeze sequence.	The control circuitry is functioning properly. The ice machine is in a six-minute freeze time lock-in (verify step 1 of this procedure was followed correctly).
The harvest light does not come on.	The control board is causing the malfunction.

Ice Machine Cycles Into Harvest Before Water Contact with the Ice Thickness Probe

Step 1 Bypass the freeze time lock-in feature by moving the ON/OFF/WASH switch to OFF and back to ON. Wait until the water starts to flow over the evaporator, then monitor the harvest light.

Step 2 Disconnect the ice thickness probe from the control board terminal.



Step 2 Disconnect probe from control board terminal.

Monitoring Harvest Light	Correction
The harvest light stays off and the ice machine remains in the freeze sequence.	The ice thickness probe is causing the malfunction. Verify that the ice thickness probe is adjusted correctly.
The harvest light comes on, and 6-10 seconds later, the ice machine cycles from freeze to harvest.	The control board is causing the malfunction.

Ice Production Check

The amount of ice a machine produces directly relates to the operating water and air temperatures. This means an ice machine with a 70°F (21.2°C) ambient temperature and 50°F (10.0°C) water produces more ice than the same ice machine with 90°F (32.2°C) ambient and 70°F (21.2°C) water.

- Determine the ice machine operating conditions:

Air temp entering condenser: _____°

Air temp around ice machine: _____°

Water temp entering sump trough: _____°

- Refer to the appropriate 24-Hour Ice Production Chart. Use the operating conditions determined in step 1 to find published 24-Hour Ice Production: _____

- Times are in minutes.

Example: 1 min. 15 sec. converts to 1.25 min.
(15 seconds ÷ 60 seconds = .25 minutes)

- Weights are in pounds.

Example: 2 lb. 6 oz. converts to 2.375 lb.
(6 oz. ÷ 16 oz. = .375 lb.)

- Perform an ice production check using the formula below.

1.	_____	+	_____	=	_____
	Freeze Time		Harvest Time		Total Cycle Time
2.	1440	÷	_____	=	_____
	Minutes in 24 Hrs.		Total Cycle Time		Cycles per Day
3.	_____	×	_____	=	_____
	Weight of One Harvest		Cycles per Day		Actual 24-Hour Production

Weighing the ice is the only 100% accurate check. However, if the ice pattern is normal and the 1/8" (3.2 mm) thickness is maintained, the ice slab weights listed with the 24-Hour Ice Production Charts may be used.

4. Compare the results of step 3 with step 2. Ice production is normal when these numbers match closely. If they match closely, determine if:
 - Another larger ice machine is required.
 - Relocating the existing equipment to lower the load conditions is required.

Contact the local distributor for information on available options and accessories.

Installation and Visual Inspection Checklist

Ice machine is not level

Level the ice machine

Condenser is dirty

- Clean the condenser

Water filtration is plugged (if used)

- Install a new water filter

Water drains are not run separately and/or are not vented

- Run and vent drains according to the Installation Manual

Water System Checklist

A water-related problem often causes the same symptoms as a refrigeration system component malfunction.

Example: A water dump valve leaking during the freeze cycle, a system low on charge, and a starving TXV have similar symptoms.

Water system problems must be identified and eliminated prior to replacing refrigeration components.

Water area (evaporator) is dirty

- Clean as needed

Water inlet pressure not between 20 and 80 psig (1–5 bar, 138–552 kPa)

- Install a water regulator valve or increase the water pressure

Incoming water temperature is not between 35°F (1.7°C) and 90°F (32.2°C)

- If too hot, check the hot water line check valves in other store equipment

Water filtration is plugged (if used)

- Install a new water filter

Vent tube is not installed on water outlet drain

- See Installation Instructions

Hoses, fittings, etc., are leaking water

- Repair/replace as needed

Water float valve is stuck open or closed

- Clean/replace as needed

Water is spraying out of the sump trough area

- Stop the water spray

Uneven water flow across the evaporator

- Clean the ice machine

Water is freezing behind the evaporator

- Correct the water flow

Plastic extrusions and gaskets are not secured to the evaporator

- Remount/replace as needed

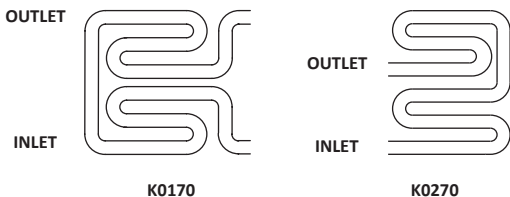
Ice Formation Pattern

Evaporator ice formation pattern analysis is helpful in ice machine diagnostics.

Analyzing the ice formation pattern alone cannot diagnose an ice machine malfunction. However, when this analysis is used along with the Refrigeration System Operational Analysis Table, it can help diagnose an ice machine malfunction.

Any number of problems can cause improper ice formation.

Example: An ice formation that is “extremely thin at the outlet” could be caused by a hot water supply, water leaking out the overflow pipe, a faulty water float valve, a low refrigerant charge, etc.



Examples of Evaporator Tubing Routing

Normal Ice Formation

Ice forms across the entire evaporator surface.

At the beginning of the Freeze cycle, it may appear that more ice is forming on the inlet of the evaporator than at the outlet. At the end of the Freeze cycle, ice formation at the outlet will be close to, or just a bit thinner than, ice formation at the inlet. The dimples in the cubes at the outlet of the evaporator may be more pronounced than those at the inlet. This is normal.

If ice forms uniformly across the evaporator surface, but does not do so in the proper amount of time, this is still considered a normal ice fill pattern.

Extremely Thin at Evaporator Outlet

There is no ice, or a considerable lack of ice formation on the outlet of the evaporator.

Examples: No ice at all at the outlet of the evaporator, but ice forms at the inlet half of the evaporator. Or, the ice at the outlet of the evaporator reaches the correct thickness, but the outlet of the evaporator already has 1/2" to 1" (12 to 25 mm) of ice formation.

Possible cause: Water loss, low on refrigerant, starving TXV, hot water supply, faulty float valve, etc.

Extremely Thin at Evaporator Inlet

There is no ice, or a considerable lack of ice formation at the inlet of the evaporator. Examples: The ice at the outlet of the evaporator reaches the correct thickness, but there is no ice formation at all at the inlet of the evaporator.

Possible cause: Insufficient water flow, flooding TXV, etc.

Spotty Ice Formation

There are small sections on the evaporator where there is no ice formation. This could be a single corner, or a single spot in the middle of the evaporator. This is generally caused by loss of heat transfer from the tubing on the backside of the evaporator.

No Ice Formation

The ice machine operates for an extended period, but there is no ice formation at all on the evaporator.

Possible cause: Water float valve, water pump, starving expansion valve, low refrigerant charge, compressor, etc.

Analyzing Suction Pressure

The suction pressure gradually drops throughout the freeze cycle. The actual suction pressure (and drop rate) changes as the air and water temperature entering the ice machine changes. These variables also determine the freeze cycle times.

To analyze and identify the proper suction pressure drop throughout the freeze cycle, compare the published suction pressure to the published freeze cycle time.

NOTE: Analyze discharge pressure before analyzing suction pressure. High or low discharge pressure may be causing high or low suction pressure.

Procedure

Step																					
<p>1. Determine the ice machine operating conditions.</p> <p><i>Example:</i></p> <p><i>Air temp. entering condenser: 90°F/32.2°C</i></p> <p><i>Air temp. around ice machine: 80°F/26.7°C</i></p> <p><i>Water temp. entering water fill valve: 70°F/21.1°C</i></p>																					
<p>2A. Refer to “Cycle Time” and “Operating Pressure” charts for ice machine model being checked. Using operating conditions from Step 1, determine published freeze cycle time and published freeze cycle suction pressure.</p> <p><i>Example:</i></p> <p><i>Published freeze cycle time: 14.8 - 15.9 minutes</i></p> <p><i>Published freeze cycle suction pressure: 65 - 26 psig</i></p>																					
<p>2B. Compare the published freeze cycle time and published freeze cycle suction pressure. Develop a chart.</p> <p><i>Example:</i></p> <p><u>Published Freeze Cycle Time (minutes)</u></p> <table style="margin-left: auto; margin-right: auto;"> <tr> <td style="text-align: center;">1</td> <td style="text-align: center;">2</td> <td style="text-align: center;">4</td> <td style="text-align: center;">7</td> <td style="text-align: center;">10</td> <td style="text-align: center;">12</td> <td style="text-align: center;">14</td> </tr> <tr> <td style="text-align: center;"> </td> <td style="text-align: center;"> </td> <td style="text-align: center;"> </td> <td style="text-align: center;"> </td> <td style="text-align: center;"> </td> <td style="text-align: center;"> </td> <td style="text-align: center;"> </td> </tr> <tr> <td style="text-align: center;">65</td> <td style="text-align: center;">55</td> <td style="text-align: center;">47</td> <td style="text-align: center;">39</td> <td style="text-align: center;">34</td> <td style="text-align: center;">30</td> <td style="text-align: center;">26</td> </tr> </table> <p><u>Published Freeze Cycle Suction Pressure (psig)</u></p> <p><i>In the example, the proper suction pressure should be approximately 39 psig at 7 minutes; 30 psig at 12 minutes; etc.</i></p>	1	2	4	7	10	12	14								65	55	47	39	34	30	26
1	2	4	7	10	12	14															
65	55	47	39	34	30	26															
<p>3. Perform an actual suction pressure check at the beginning, middle and end of the freeze cycle. Note the times at which the readings are taken.</p> <p><i>Example:</i></p> <p><i>Manifold gauge set was connected to the example ice machine and suction pressure readings taken as follows: _____ PSIG</i></p> <p><i>Beginning of freeze cycle: 79 (at 1 min.)</i></p> <p><i>Middle of freeze cycle: 48 (at 7 min.)</i></p> <p><i>End of freeze cycle: 40 (at 14 min.)</i></p>																					
<p>4. Compare the actual freeze cycle suction pressure (Step 3) to the published freeze cycle time and pressure comparison (Step 2B). Determine if the suction pressure is high, low or acceptable.</p> <p><i>Example:</i></p> <p><i>In this example, the suction pressure is considered high throughout the freeze cycle. It should have been:</i></p> <p><i>Approximately 65 psig (at 1 minute) – not 79</i></p> <p><i>Approximately 39 psig (at 7 minutes) – not 48</i></p> <p><i>Approximately 26 psig (at 14 minutes) – not 40</i></p>																					

Suction Pressure High Checklist

Improper Installation

- Refer to “Installation and Visual Inspection Checklist” on page 277.

Discharge Pressure

- Discharge pressure is too high, and is affecting suction pressure, refer to “Discharge Pressure High Checklist” on page 288.

Improper Refrigerant Charge

- Overcharged
- Wrong type of refrigerant
- Non-condensable in system

Other

- Non-OEM components in system
- Harvest valve leaking
- TXV flooding (check bulb mounting)
- Defective compressor

Suction Pressure Low Checklist

Improper Installation

- Refer to “Installation and Visual Inspection Checklist” on page 277.

Discharge Pressure

- Discharge pressure is too low, and is affecting suction pressure, refer to “Freeze Cycle Discharge Pressure Low Checklist”

Improper Refrigerant Charge

- Undercharged
- Wrong type of refrigerant

Other

- Non-OEM components in system
- Improper water supply over evaporator refer to “Water System Checklist” on page 278.
- Loss of heat transfer from tubing on back side of evaporator
- Restricted/plugged liquid line drier
- Restricted/plugged tubing in suction side of refrigeration system
- TXV starving

NOTE: Do not limit your diagnosis to only the items listed in the checklists.

Comparing Evaporator Inlet and Outlet Temperatures

The temperatures of the suction lines entering and leaving the evaporator alone cannot diagnose an ice machine.

However, comparing these temperatures during the freeze cycle, along with using the Refrigeration System Operational Analysis Table, can help diagnose an ice machine malfunction.

The actual temperatures entering and leaving the evaporator vary by model, and change throughout the freeze cycle. This makes documenting the “normal” inlet and outlet temperature readings difficult. The key to the diagnosis lies in the difference between the two temperatures five minutes into the freeze cycle. These temperatures must be within 7°F (4°C) of each other.

Use this procedure to document freeze cycle inlet and outlet temperatures.

1. Use a quality temperature meter, capable of taking temperature readings on curved copper lines.
2. Attach the temperature meter sensing device to the copper lines entering and leaving the evaporator.

Important

Do not simply insert the sensing device under the insulation. It must be attached to and reading the actual temperature of the copper line.

3. Wait five minutes into the freeze cycle.
4. Record the temperatures below and determine the difference between them.

_____	_____	_____
Inlet Temperature	Difference must be within 7°F (4°C) at 5 minutes into the freeze cycle	Outlet Temperature

5. Use this with other information gathered on the Refrigeration System Operational Analysis Table to determine the ice machine malfunction.

Analyzing Discharge Pressure

1. Determine the ice machine operating conditions:

Air temp. entering condenser _____

Air temp. around ice machine _____

Water temp. entering sump trough _____

2. Refer to "Cycle Times, 24 Hr. Ice Production and Refrigerant Pressure Charts" on page 333 for ice machine being checked.

Use the operating conditions determined in step 1 to find the published normal discharge pressures.

Freeze Cycle _____

Harvest Cycle _____

3. Perform an actual discharge pressure check.

	Freeze Cycle PSIG	Harvest Cycle PSIG
Beginning of Cycle	_____	_____
Middle of Cycle	_____	_____
End of Cycle	_____	_____

4. Compare the actual discharge pressure (step 3) with the published discharge pressure (step 2).

The discharge pressure is normal when the actual pressure falls within the published pressure range for the ice machine's operating conditions. It is normal for the discharge pressure to be higher at the beginning of the freeze cycle (when load is greatest), then drop through out the freeze cycle.

Discharge Pressure High Checklist

Improper Installation

- Refer to “Installation and Visual Inspection Checklist” on page 277.

Restricted Condenser Air Flow

- High inlet air temperature
- Condenser discharge air re-circulation
- Dirty condenser fins
- Defective fan cycling control
- Defective fan motor

Improper Refrigerant Charge

- Overcharged
- Non-condensable in system
- Wrong type of refrigerant

Other

- Non-OEM components in system
- High side refrigerant lines/component
- Restricted (before mid-condenser)

Freeze Cycle Discharge Pressure Low Checklist

Improper Installation

- Refer to “Installation and Visual Inspection Checklist” on page 277.

Improper Refrigerant Charge

- Undercharged
- Wrong type of refrigerant

Other

- Non-OEM components in system
- High side refrigerant lines/component restricted (before mid-condenser)
- Defective fan cycle control

NOTE: Do not limit your diagnosis to only the items listed in the checklists.

Harvest Valve

General

The harvest valve is an electrically operated valve that opens when energized, and closes when de-energized.

Normal Operation

The valve is de-energized (closed) during the freeze cycle and energized (open) during the harvest cycle. The valve is positioned between the receiver and the evaporator and performs two functions:

1. Prevents refrigerant from entering the evaporator during the freeze cycle.

The harvest valve is not used during the freeze cycle. The harvest valve is de-energized (closed) preventing refrigerant flow from the receiver into the evaporator.

2. Allows refrigerant vapor to enter the evaporator in the harvest cycle.

During the harvest cycle, the harvest valve is energized (open) allowing refrigerant gas from the discharge line of the compressor to flow into the evaporator. The heat is absorbed by the evaporator and allows release of the ice slab.

Exact pressures vary according to ambient temperature and ice machine model. Harvest pressures can be found in the Cycle Time/24 Hour Ice Production/Refrigerant Pressure Charts in this book.

Harvest Valve Analysis

The valve can fail in two positions:

- Valve will not open in the harvest cycle.
- Valve remains open during the freeze cycle.

VALVE WILL NOT OPEN IN THE HARVEST CYCLE

Although the circuit board has initiated a harvest cycle, the evaporator temperature remains unchanged from the freeze cycle.

Caution

Coil must be seated 100% on solenoid to function correctly. Install coil with a twisting motion to properly seat.

VALVE REMAINS OPEN IN THE FREEZE CYCLE:

Symptoms of a harvest valve remaining partially open during the freeze cycle can be similar to symptoms of an expansion valve, float valve or compressor problem. Symptoms are dependent on the amount of leakage in the freeze cycle.

A small amount of leakage will cause increased freeze times and an ice fill pattern that is “Thin at the Outlet”, but fills in at the end of the cycle.

As the amount of leakage increases the length of the freeze cycle increases and the amount of ice at the outlet of the evaporator decreases.

Refer to the Parts Manual for proper valve application. If replacement is necessary, use only “original” replacement parts.

Use the following procedure and table to help determine if a harvest valve is remaining partially open during the freeze cycle.

1. Wait five minutes into the freeze cycle.
2. Feel the inlet of the harvest valve.

Important

Feeling the harvest valve outlet or across the harvest valve itself will not work for this comparison.

The harvest valve outlet is on the suction side (cool refrigerant). It may be cool enough to touch even if the valve is leaking.

3. Feel the compressor discharge line.

Warning

The inlet of the harvest valve and the compressor discharge line could be hot enough to burn your hand. Just touch them momentarily.

4. Compare the temperature of the inlet of the harvest valve to the temperature of the compressor discharge line.

Findings	Comments
<p>The inlet of the harvest valve is cool enough to touch and the compressor discharge line is hot.</p> <p style="text-align: center;">Cool & Hot</p>	<p>This is normal as the discharge line should always be too hot to touch and the harvest valve inlet, although too hot to touch during harvest, should be cool enough to touch after 5 minutes into the freeze cycle.</p>
<p>The inlet of the harvest valve is hot and approaches the temperature of a hot compressor discharge line.</p> <p style="text-align: center;">Hot & Hot</p>	<p>This is an indication something is wrong, as the harvest valve inlet did not cool down during the freeze cycle. If the compressor dome is also entirely hot, the problem is not a harvest valve leaking, but rather something causing the compressor (and the entire ice machine) to get hot.</p>
<p>Both the inlet of the harvest valve and the compressor discharge line are cool enough to touch.</p> <p style="text-align: center;">Cool & Cool</p>	<p>This is an indication something is wrong, causing the compressor discharge line to be cool to the touch. This is not caused by a harvest valve leaking.</p>

5. Record your findings on the table.

Discharge Line Temperature Analysis

GENERAL

Knowing if the discharge line temperature is increasing, decreasing or remaining constant can be an important diagnostic tool. Maximum compressor discharge line temperature on a normally operating ice machine steadily increases throughout the freeze cycle. Comparing the temperatures over several cycles will result in a consistent maximum discharge line temperature.

Ambient air temperatures affect the maximum discharge line temperature.

Higher ambient air temperatures at the condenser = higher discharge line temperatures at the compressor.

Lower ambient air temperatures at the condenser = lower discharge line temperatures at the compressor.

Regardless of ambient temperature, the freeze cycle discharge line temperature will be higher than 150°F (66°C) on a normally operating ice machine.

PROCEDURE

Connect a temperature probe on the compressor discharge line within 6" (15.2 cm) of the compressor.

Observe the discharge line temperature for the last three minutes of the freeze cycle and record the maximum discharge line temperature.

Discharge Line Temperature Above 150°F (66°C) at End of Freeze Cycle:

Ice machines that are operating normally will have consistent maximum discharge line temperatures above 150°F (66°C).

Verify the expansion valve sensing bulb is positioned and secured correctly.

Discharge Line Temperature Below 150°F (66°C) at End of Freeze Cycle

Ice machines that have a flooding expansion valve will have a maximum discharge line temperature that decreases each cycle.

Verify the expansion valve sensing bulb is 100% insulated and sealed airtight. Condenser air contacting an incorrectly insulated sensing bulb will cause overfeeding of the expansion valve.

Ice Quality Is Poor — Cubes are Shallow, Incomplete or White

Ice machine is dirty

- Clean and sanitize the ice machine

Water filtration is poor

- Replace the filter

Water softener is working improperly (if applicable)

- Repair the water softener

Poor incoming water quality

- Contact a qualified company to test the quality of the incoming water and make appropriate filter recommendations

Water escaping from sump during freeze cycle

- Check standpipe and drain
- Check for water tracking out of water circuit

Freeze Cycle Is Long, Low Ice Production

Water temperature is too high

- Connect to a cold water supply, verify check valves in faucets and other equipment are functioning correctly

Dirty Condenser

- Clean condenser

High air temperature entering condenser

- Air temperature must not exceed 120°F (39°C)

Water inlet valve filter screen is dirty

- Remove the water inlet valve and clean the filter screen

Water inlet valve stuck open or leaking

- Turn off ice machine, if water continues to enter ice machine, verify water pressure is ok then replace water inlet valve

Water inlet valve is not working

- Water inlet valve must be replaced

Refrigeration problem

- Refer to refrigeration diagnostics

Water escaping from sump during freeze cycle

- Check standpipe and drain
- Check for water tracking out of water circuit

Ice Machine Runs and No Ice Is Produced

No water to ice machine

- Correct water supply

Incorrect incoming water pressure

- Water pressure must be 20-80 psi (1.4-5.5 bar)

Excessive mineral buildup

- De-scale and sanitize the ice machine

Ambient temperature is too high or low

- Ambient temperature must be between 50°F and 110°F (10°C and 43°C)

Compressor relay inoperable

- No voltage to coil or coil defective
- Defective contacts

Compressor off on overload

- Condenser fan motor defective
- Incorrect flow to water cooled condenser
- Ambient temperature too high
- Condenser blocked
- Faulty start components

Final Analysis

The column with the highest number of check marks identifies the refrigeration problem.

Column 1 – Harvest Valve Leaking

A leaking harvest valve must be replaced.

Column 2 – Low Charge/TXV Starving

Normally, a starving expansion valve only affects the freeze cycle pressures, not the harvest cycle pressures. A low refrigerant charge normally affects both pressures. Verify the ice machine is not low on charge before replacing an expansion valve.

Add refrigerant charge in 2 oz. (57 g) increments as a diagnostic procedure to verify a low charge. (Do not add more than the total charge of refrigerant). If the problem is corrected, the ice machine is low on charge. Find the refrigerant leak.

The ice machine must operate with the nameplate charge. If the leak cannot be found, proper refrigerant procedures must still be followed. Change the liquid line drier, evacuate the system and weigh in the proper charge.

If the problem is not corrected by adding charge, the expansion valve is faulty.

Column 3 – TXV Flooding

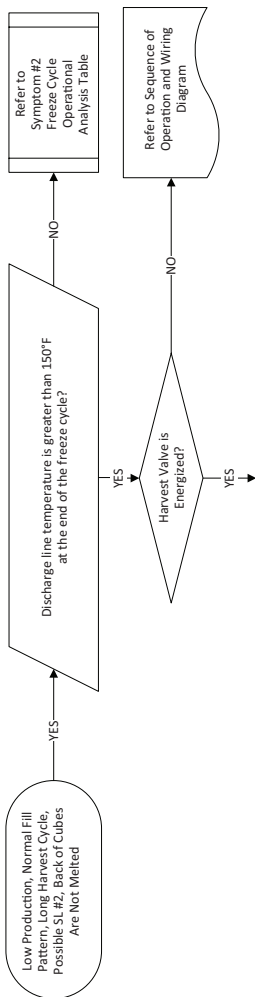
A loose or improperly mounted expansion valve bulb causes the expansion valve to flood. Check bulb mounting, insulation, etc., before changing the valve.

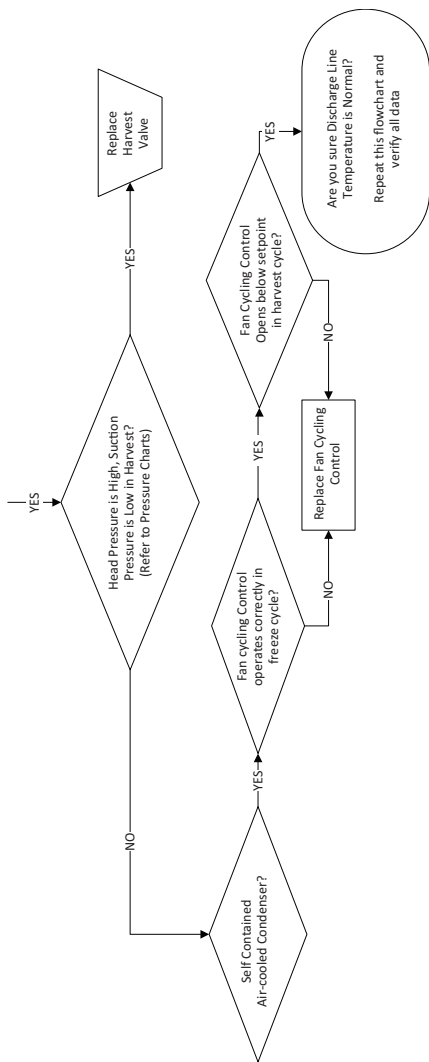
Column 4 – Compressor

Replace the compressor and start components. To receive warranty credit, the compressor ports must be properly sealed by crimping and soldering them closed. Old start components must be returned with the faulty compressor.

SYMPTOM #3

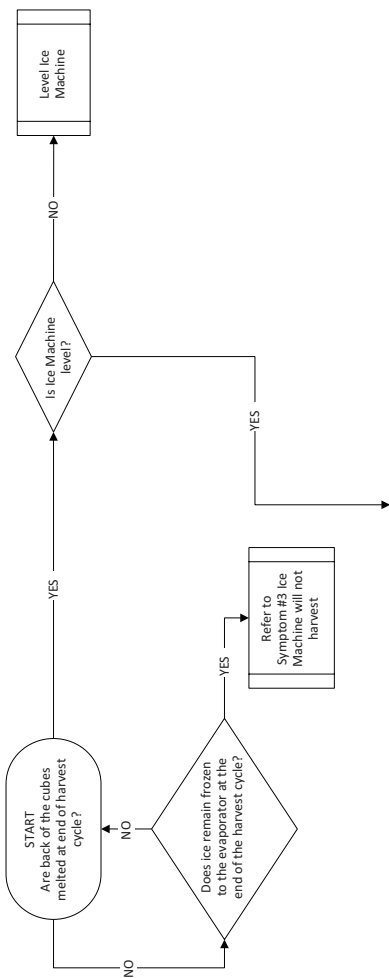
Ice Machine Will Not Harvest – Freeze Cycle Is Normal and Ice Cubes Are Not Melted After Harvest

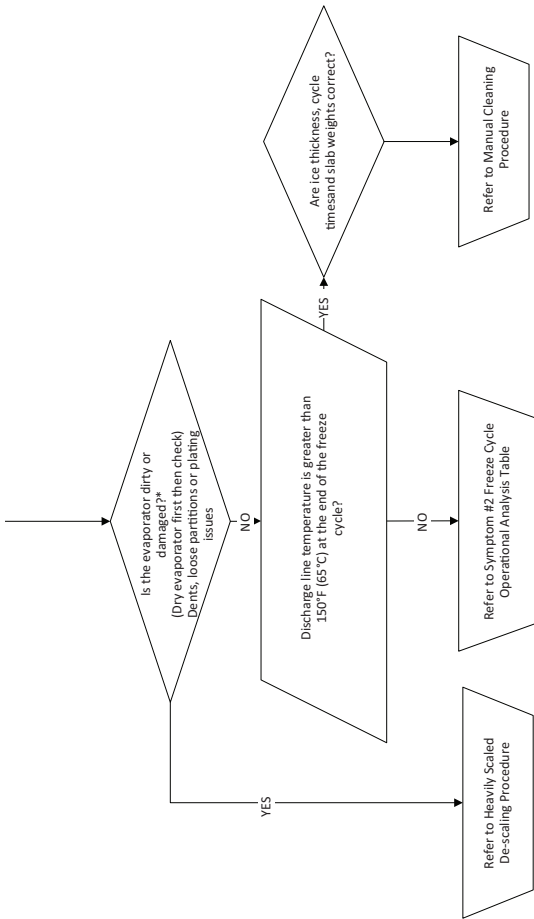




SYMPTOM #4

Ice Machine Will Not Harvest – Freeze Cycle is Normal and Ice Cubes Are Not Melted After Harvest





*A damaged evaporator may not be repairable. For example: the top molding assembly is replaceable however the side moldings and/or the evaporator grid is not repairable.

Component Check Procedures

Main Fuse

Function

The control board fuse stops ice machine operation if electrical components fail causing high amp draw.

Specifications

The main fuse is 250 Volt, 10 amp.

Warning

High (line) voltage is applied to the control board at all times. Removing the control board fuse or moving the toggle switch to OFF will not remove the power supplied to the control board.

Check Procedure

1. If the bin switch light is on with the ice damper closed, the fuse is good.

Warning

Disconnect electrical power to the entire ice machine before proceeding.

2. Remove the fuse. Check the resistance across the fuse with an ohmmeter.

Reading	Result
Open (OL)	Replace fuse
Closed (O)	Fuse is good

Bin Switch

Function

Bin switch operation is controlled by the movement of the ice damper. The bin switch has two main functions:

1. Terminating the harvest cycle and returning the ice machine to the freeze cycle.

This occurs when the bin switch is opened and closed again within 7 seconds of opening during the harvest cycle.

2. Automatic ice machine shut-off.

If the storage bin is full at the end of a harvest cycle, the sheet of cubes fails to clear the ice damper and holds it down. After the ice damper is held down for 7 seconds, the ice machine shuts off.

The ice machine remains off until enough ice is removed from the storage bin to allow the sheet of cubes to drop clear of the ice damper. As the ice damper swings back to the operating position, the bin switch closes and the ice machine restarts.

Important

The ice damper must be up (bin switch closed) to start ice making.

Check Procedure

1. Set the toggle switch to OFF.
2. Watch the bin switch light on the control board.
3. Move the ice damper upward, toward the evaporator. The bin switch must close. The bin switch light “on” indicates the bin switch has closed properly.
4. Move the ice damper away from the evaporator. The bin switch must open. The bin switch light “off” indicates the bin switch has opened properly.

Ohm Test

1. Disconnect the bin switch wires to isolate the bin switch from the control board.
2. Connect an ohmmeter to the disconnected bin switch wires.
3. Cycle the bin switch open and closed numerous times by opening and closing the ice damper.

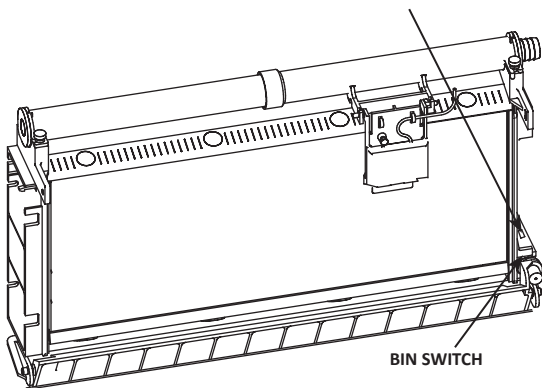
NOTE: To prevent mis-diagnosis:

- Always use the ice damper magnet to cycle the switch (a larger or smaller magnet will affect switch operation).
- Watch for consistent readings when the bin switch is cycled open and closed (bin switch failure could be erratic).

Bin Switch Removal

1. Disconnect power to the ice machine at service disconnect.
2. Disconnect bin switch wires in control box.
3. Insert a small screwdriver through the hole located in the top of the bin switch, and depress mounting tab slightly.
4. While depressing mounting tab roll bin switch to right to release.
5. Pull wiring into evaporator compartment.

INSERT SCREWDRIVER
AND DEPRESS TAB



SV1695B

Bin Switch Removal

Diagnosing Start Components

If the compressor attempts to start, or hums and trips the overload protector, check the start components before replacing the compressor.

CAPACITOR

Visual evidence of capacitor failure can include a bulged terminal end or a ruptured membrane. Do not assume a capacitor is good if no visual evidence is present. A good test is to install a known good substitute capacitor. Use a capacitor tester when checking a suspect capacitor. Clip the bleed resistor off the capacitor terminals before testing.

RELAY

The relay has a set of contacts that connect and disconnect the start capacitor from the compressor start winding. The contacts on the relay are normally open. The relay senses the voltage generated by the start winding and closes and then opens the contacts as the compressor motor starts. The contacts remain open until the compressor is de-energized.

ON/OFF/WASH Toggle Switch

Function

The switch is used to place the ice machine in ON, OFF or WASH mode of operation.

Specifications

Single-pole, double-throw switch. The switch is connected into a varying low D.C. voltage circuit.

Check Procedure

NOTE: Because of a wide variation in D.C. voltage, it is not recommended that a voltmeter be used to check toggle switch operation.

1. Inspect the toggle switch for correct wiring.
2. Isolate the toggle switch by disconnecting all wires from the switch, or by disconnecting the Molex connector from the control board.
3. Check across the toggle switch terminals using a calibrated ohmmeter. Note where the wire numbers are connected to the switch terminals, or refer to the wiring diagram to take proper readings.

Switch Setting	Terminals	Ohm Reading
ON	24-21	Open
	24-20	Closed
	20-21	Open
WASH	24-20	Open
	24-21	Closed
	20-21	Open
OFF	24-20	Open
	24-21	Open
	20-21	Open

Replace the toggle switch if ohm readings do not match all three-switch settings.

Ice Thickness Probe

How the Probe Works

The Koolaire® electronic sensing circuit does not rely on refrigerant pressure, evaporator temperature, water levels or timers to produce consistent ice formation.

As ice forms on the evaporator, water (not ice) contacts the ice thickness probe. After the water completes this circuit across the probe continuously for 6-10 seconds, a harvest cycle is initiated.

Freeze Time Lock-In Feature

The ice machine control system incorporates a freeze time lock-in feature. This prevents the ice machine from short cycling in and out of harvest.

The control board locks the ice machine in the freeze cycle for six minutes. If water contacts the ice thickness probe during these six minutes, the harvest light will come on (to indicate that water is in contact with the probe), but the ice machine will stay in the freeze cycle. After the six minutes are up, a harvest cycle is initiated. This is important to remember when performing diagnostic procedures on the ice thickness control circuitry.

To allow the service technician to initiate a harvest cycle without delay, this feature is not used on the first cycle after moving the toggle switch OFF and back to ON.

Maximum Freeze Time

The control system includes a built-in safety, which will automatically cycle the ice machine into harvest after 60 minutes in the freeze cycle.

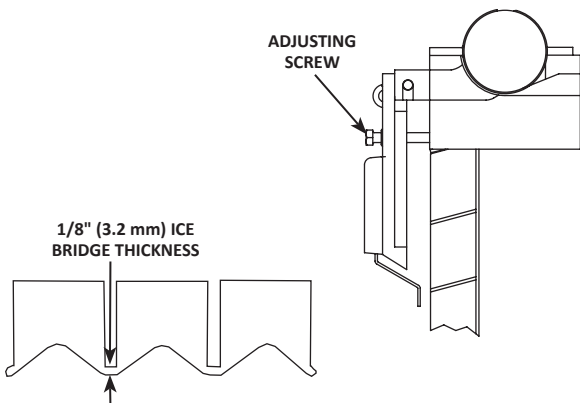
ICE THICKNESS CHECK

The ice thickness probe is factory-set to maintain the ice bridge thickness at 1/8" (3.2 mm).

NOTE: Make sure the Ice Damper is in place when performing this check. It prevents water from splashing out of the water trough.

1. Inspect the bridge connecting the cubes. It should be about 1/8" (3.2 mm) thick.
2. If adjustment is necessary, turn the ice thickness probe adjustment screw clockwise to increase bridge thickness, or counterclockwise to decrease bridge thickness.

NOTE: Turning the adjustment 1/3 of a turn will change the ice thickness about 1/16" (1.5 mm).



Ice Thickness Check

Make sure the ice thickness probe wire and the bracket do not restrict movement of the probe.

Compressor Electrical Diagnostics

The compressor does not start or will trip repeatedly on overload.

Check Resistance (Ohm) Values

NOTE: Compressor windings can have very low ohm values. Use a properly calibrated meter.

Perform the resistance test after the compressor cools. The compressor dome should be cool enough to touch (below 120°F/49°C) to ensure that the overload is closed and the resistance readings will be accurate.

Single Phase Compressors

1. Disconnect power from the condensing unit and remove the wires from the compressor terminals.
2. The resistance values between C and S and between C and R, when added together should equal the resistance value between S and R.
3. If the overload is open, there will be a resistance reading between S and R, and open readings between C and S and between C and R. Allow the compressor to cool, then check the readings again.

Check Motor Windings to Ground

Check continuity between all three terminals and the compressor shell or copper refrigeration line. Scrape metal surface to get good contact. If continuity is present, the compressor windings are grounded and the compressor should be replaced.

To determine if the compressor is seized check the amp draw while the compressor is trying to start.

Compressor Drawing Locked Rotor

The two likely causes of this are:

- Defective starting component
- Mechanically seized compressor

To determine which you have:

1. Install high and low side gauge set.
2. Try to start the compressor.
3. Watch the pressures closely.
 - If the pressures do not move, the compressor is seized. Replace the compressor.
 - If the pressures move, the compressor is turning slowly and is not seized. Check the capacitors and relay.

Compressor Drawing High Amps

The continuous amperage draw on start-up should not be near the maximum fuse size indicated on the serial tag.

The wiring must be correctly sized to minimize voltage drop at compressor start-up. The voltage when the compressor is trying to start must be within $\pm 10\%$ of the nameplate voltage.

Fan Cycle Control

Function

Cycles the fan motor on and off to maintain proper operating discharge pressure.

The fan cycle control closes on an increase, and opens on a decrease in discharge pressure.

Specifications

Model	Cut-In (Close)	Cut-Out (Open)
KF0150 K0170	275 psig \pm 5	225 psig \pm 5
KF0250 K0270	250 psig \pm 5	200 psig \pm 5

Check Procedure

1. Disconnect electrical power to the ice machine at the electrical service disconnect.
2. Verify fan motor windings are not open or grounded, and fan spins freely.
3. Connect manifold gauge set to ice machine.
4. Hook voltmeter in parallel across the fan cycle control, leaving wires attached.
5. Reconnect electrical power to the ice machine and set the ON/OFF/WASH toggle switch to ON.
6. Wait until water flows over the evaporator then refer to chart below.

System Pressure:	Reading Should Be:	Fan Should Be:
above cut-in	0 volts	running
below cut-out	line voltage	off

High Pressure Cutout (HPCO) Control

Function

Stops the ice machine if subjected to excessive high-side pressure.

The HPCO control is normally closed, and opens on a rise in discharge pressure.

Specifications

Cut-out: 450 psig \pm 10

Cut-in: Automatic reset

(Must be below 300 psig to reset).

Check Procedure

1. Set ON/OFF/WASH switch to OFF.
2. Connect manifold gauge set.
3. Hook voltmeter in parallel across the HPCO, leaving wires attached.
4. On water-cooled models, close the water service valve to the water condenser inlet. On self-contained air-cooled models, disconnect the fan motor.
5. Set ON/OFF/WASH switch to ON.
6. No water or air flowing through the condenser will cause the HPCO control to open because of excessive pressure. Watch the pressure gauge and record the cut-out pressure.

Warning

If discharge pressure exceeds 460 psig and the HPCO control does not cut out, set ON/OFF/WASH switch to OFF to stop ice machine operation.

Replace the HPCO control if it:

- Will not reset (below 300 psig)
- Does not open at the specified cut-out point

Filter-Driers

Liquid Line Filter Drier

The filter-drier used on Koolaire® ice machines are manufactured to Koolaire® specifications.

The difference between a Koolaire® drier and an off-the-shelf drier is in filtration. A Koolaire® drier has dirt-retaining filtration, with fiberglass filters on both the inlet and outlet ends. This is very important because ice machines have a back-flushing action that takes place during every harvest cycle.

A Koolaire® filter-drier has a very high moisture removal capability and a good acid removal capacity.

Important

The liquid line drier is covered as a warranty part. The liquid line drier must be replaced any time the system is opened for repair.

Refrigerant Recovery/Evacuation

Definitions

Recover

To remove refrigerant, in any condition, from a system and store it in an external container, without necessarily testing or processing it in any way.

Recycle

To clean refrigerant for re-use by oil separation and single or multiple passes through devices, such as replaceable core filter-driers, which reduce moisture, acidity and particulate matter. This term usually applies to procedures implemented at the field job site or at a local service shop.

Reclaim

To reprocess refrigerant to new product specifications (see below) by means which may include distillation. A chemical analysis of the refrigerant is required after processing to be sure that product specifications are met. This term usually implies the use of processes and procedures available only at a reprocessing or manufacturing facility.

Chemical analysis is the key requirement in this definition. Regardless of the purity levels reached by a reprocessing method, refrigerant is not considered “reclaimed” unless it has been chemically analyzed and meets ARI Standard 700 (latest edition).

New Product Specifications

This means ARI Standard 700 (latest edition). Chemical analysis is required to assure that this standard is met.

REFRIGERANT RE-USE POLICY

Koolaire® recognizes and supports the need for proper handling, re-use, and disposal of CFC and HCFC refrigerants. Koolaire® service procedures require recapturing refrigerants, not venting them to the atmosphere.

It is not necessary, in or out of warranty, to reduce or compromise the quality and reliability of your customers' products to achieve this.

Important

Koolaire® assumes no responsibility for use of contaminated refrigerant. Damage resulting from the use of contaminated, recovered, or recycled refrigerant is the sole responsibility of the servicing company.

Koolaire® approves the use of:

1. New Refrigerant
 - Must be of original nameplate type.
2. Reclaimed Refrigerant
 - Must be of original nameplate type.
 - Must meet ARI Standard 700 (latest edition) specifications.
3. Recovered or Recycled Refrigerant
 - Must be recovered or recycled in accordance with current local, state and federal laws.
 - Must be recovered from and re-used in the same Koolaire® product. Re-use of recovered or recycled refrigerant from other products is not approved.
 - Recycling equipment must be certified to ARI Standard 740 (latest edition) and be maintained to consistently meet this standard.

4. Recovered refrigerant must come from a “contaminant-free” system. To decide whether the system is contaminant free, consider:
 - Type(s) of previous failure(s)
 - Whether the system was cleaned, evacuated and recharged properly following failure(s)
 - Whether the system has been contaminated by this failure
 - Compressor motor burnouts and improper past service prevent refrigerant re-use.
 - Refer to “System Contamination Cleanup” on page 322 to test for contamination.
5. “Substitute” or “Alternative” Refrigerant
 - Must use only Koolaire®-approved alternative refrigerants.
 - Must follow Koolaire®-published conversion procedures.

RECOVERY AND RECHARGING PROCEDURES

Do not purge refrigerant to the atmosphere. Capture refrigerant using recovery equipment. Follow the manufacturer's recommendations.

Important

Koolaire® assumes no responsibility for the use of contaminated refrigerant. Damage resulting from the use of contaminated refrigerant is the sole responsibility of the servicing company.

Important

Replace the liquid line drier before evacuating and recharging. Use only a OEM liquid line filter drier to prevent voiding the warranty.

CONNECTIONS

1. Suction side of the compressor through the suction service valve.
2. Discharge side of the compressor through the discharge service valve.

SELF-CONTAINED RECOVERY/EVACUATION

1. Place the toggle switch in the OFF position.
2. Install manifold gauge set, charging cylinder/scale, and recovery unit or two-stage vacuum pump.
3. Open (backseat) the high and low side ice machine service valves, and open high and low side on manifold gauge set.
4. Perform recovery or evacuation:
 - A. Recovery: Operate the recovery unit as directed by the manufacturer's instructions.
 - B. Evacuation prior to recharging: Pull the system down to 500 microns. Then, allow the pump to run for an additional half hour. Turn off the pump and perform a standing vacuum leak check.

NOTE: Check for leaks using a halide or electronic leak detector after charging the ice machine.

Follow the Charging Procedures below.

CHARGING PROCEDURES

Important

The charge is critical on all Koolaire® ice machines. Use a scale or a charging cylinder to ensure the proper charge is installed.

1. Be sure the toggle switch is in the OFF position.
2. Close the vacuum pump valve, the low side service valve, and the low side manifold gauge valve.
3. Open the high side manifold gauge valve, and backseat the high side service valve.
4. Open the charging cylinder and add the proper refrigerant charge (shown on nameplate) through the discharge service valve.
5. Let the system "settle" for 2 to 3 minutes.
6. Place the toggle switch in the ICE position.

7. Close the high side on the manifold gauge set. Add any remaining vapor charge through the suction service valve (if necessary).

NOTE: Manifold gauge set must be removed properly to ensure that no refrigerant contamination or loss occurs.

8. Make sure that all of the vapor in the charging hoses is drawn into the ice machine before disconnecting the charging hoses.
 - A. Run the ice machine in freeze cycle.
 - B. Close the high side service valve at the ice machine.
 - C. Open the low side service valve at the ice machine (when supplied) or disconnect the low loss fitting from the access valve.
 - D. Open the high and low side valves on the manifold gauge set. Any refrigerant in the lines will be pulled into the low side of the system.
 - E. Allow the pressures to equalize while the ice machine is in the freeze cycle.
 - F. Close the low side service valve at the ice machine.
9. Remove the hoses from the ice machine and install the caps.

System Contamination Cleanup

General

This section describes the basic requirements for restoring contaminated systems to reliable service.

Important

Koolaire® assumes no responsibility for the use of contaminated refrigerant. Damage resulting from the use of contaminated refrigerant is the sole responsibility of the servicing company.

Determining Severity of Contamination

System contamination is generally caused by either moisture or residue from compressor burnout entering the refrigeration system.

Inspection of the refrigerant usually provides the first indication of system contamination. Obvious moisture or an acrid odor in the refrigerant indicates contamination.

If either condition is found, or if contamination is suspected, use a Total Test Kit from Totaline or a similar diagnostic tool. These devices sample refrigerant, eliminating the need to take an oil sample. Follow the manufacturer's directions.

If a refrigerant test kit indicates harmful levels of contamination, or if a test kit is not available, inspect the compressor oil.

1. Remove the refrigerant charge from the ice machine.
2. Remove the compressor from the system.
3. Check the odor and appearance of the oil.
4. Inspect open suction and discharge lines at the compressor for burnout deposits.
5. If no signs of contamination are present, perform an acid oil test to determine the type of cleanup required.

Contamination/Cleanup Chart	
Symptoms/Findings	Required Cleanup Procedure
No symptoms or suspicion of contamination	Normal evacuation/ recharging procedure
Moisture/Air Contamination symptoms Refrigeration system open to atmosphere for longer than 15 minutes Refrigeration test kit and/or acid oil test shows contamination No burnout deposits in open compressor lines	Mild contamination cleanup procedure
Mild Compressor Burnout symptoms Oil appears clean but smells acrid Refrigeration test kit or acid oil test shows harmful acid content No burnout deposits in open compressor lines	Mild contamination cleanup procedure
Severe Compressor Burnout symptoms Oil is discolored, acidic, and smells acid Burnout deposits found in the compressor, lines, and other components	Severe contamination cleanup procedure

MILD SYSTEM CONTAMINATION CLEANUP PROCEDURE

1. Replace any failed components.
2. If the compressor is good, change the oil.
3. Replace the liquid line drier.

NOTE: If the contamination is from moisture, use heat lamps during evacuation. Position them at the compressor, condenser and evaporator prior to evacuation. Do not position heat lamps too close to plastic components, or they may melt or warp.

Important

Dry nitrogen is recommended for this procedure. This will prevent CFC release.

4. Follow the normal evacuation procedure, except replace the evacuation step with the following:
 - A. Pull vacuum to 1000 microns. Break the vacuum with dry nitrogen and sweep the system. Pressurize to a minimum of 5 psig.
 - B. Pull vacuum to 500 microns. Break the vacuum with dry nitrogen and sweep the system. Pressurize to a minimum of 5 psig.
 - C. Change the vacuum pump oil.
 - D. Pull vacuum to 500 microns. Run the vacuum pump for 1/2 hour.

NOTE: You may perform a pressure test as a preliminary leak check. You should use an electronic leak detector after system charging to be sure there are no leaks.

5. Charge the system with the proper refrigerant to the nameplate charge.
6. Operate the ice machine.

SEVERE SYSTEM CONTAMINATION CLEANUP PROCEDURE

1. Remove the refrigerant charge.
2. Remove the compressor.
3. Disassemble the harvest solenoid valve. If burnout deposits are found inside the valve, install a rebuild kit, and replace the TXV and head pressure control valve.
4. Wipe away any burnout deposits from suction and discharge lines at compressor.
5. Sweep through the open system with dry nitrogen.

Important

Refrigerant sweeps are not recommended, as they release CFC into the atmosphere.

Dry nitrogen is recommended for this procedure. This will prevent CFC release.

6. Install a new compressor and new start components.
7. Install suction line filter-drier in front of compressor.
8. Install a new liquid line drier.
9. Follow the normal evacuation procedure, except replace the evacuation step with the following:
 - A. Pull vacuum to 1000 microns. Break the vacuum with dry nitrogen and sweep the system. Pressurize to a minimum of 5 psig.
 - B. Change the vacuum pump oil.
 - C. Pull vacuum to 500 microns. Break the vacuum with dry nitrogen and sweep the system. Pressurize to a minimum of 5 psig.
 - D. Change the vacuum pump oil.
 - E. Pull vacuum to 500 microns. Run the vacuum pump for 1 additional hour.
10. Charge the system with the proper refrigerant to the nameplate charge.

11. Operate the ice machine for one hour. Then, check the pressure drop across the suction line filter-drier.
 - A. If the pressure drop is less than 2 psig, the filter-drier should be adequate for complete cleanup.
 - B. If the pressure drop exceeds 2 psig, change the suction line filter-drier and the liquid line drier. Repeat until the pressure drop is acceptable.
12. Operate the ice machine for 48 – 72 hours. Replace the suction line and liquid line drier if necessary.
13. Follow normal evacuation procedures.

REPLACING PRESSURE CONTROLS WITHOUT REMOVING REFRIGERANT CHARGE

This procedure reduces repair time and cost. Use it when any of the following components require replacement, and the refrigeration system is operational and leak-free.

- Fan cycle control
- High pressure cut-out control
- High side access valve
- Low side access valve

Important

This is a required in-warranty repair procedure.

1. Disconnect power to the ice machine.
2. Follow all manufacturers' instructions supplied with the pinch-off tool. Position the pinch-off tool around the tubing as far from the pressure control as feasible. (See the figure on next page.) Clamp down on the tubing until the pinch-off is complete.

Warning

Do not unsolder a defective component. Cut it out of the system. Do not remove the pinch-off tool until the new component is securely in place.

3. Cut the tubing of the defective component with a small tubing cutter.
4. Solder the replacement component in place. Allow the solder joint to cool.
5. Remove the pinch-off tool.
6. Re-round the tubing. Position the flattened tubing in the proper hole in the pinch off tool. Tighten the wing nuts until the block is tight and the tubing is rounded.

NOTE: The pressure controls will operate normally once the tubing is re-rounded. Tubing may not re-round 100%.

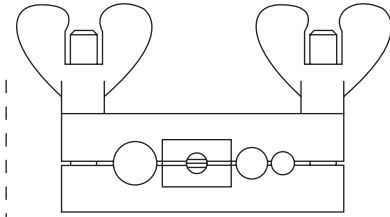


FIG. A - "PINCHING OFF" TUBING

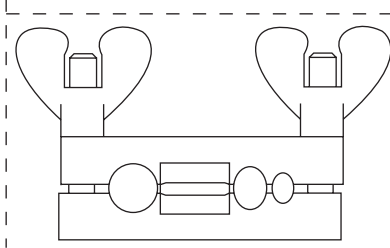


FIG. B - RE-ROUNDING TUBING

SV1406

Using Pinch Off Tool

KF0250/K0270 Condenser Fan Motor Access

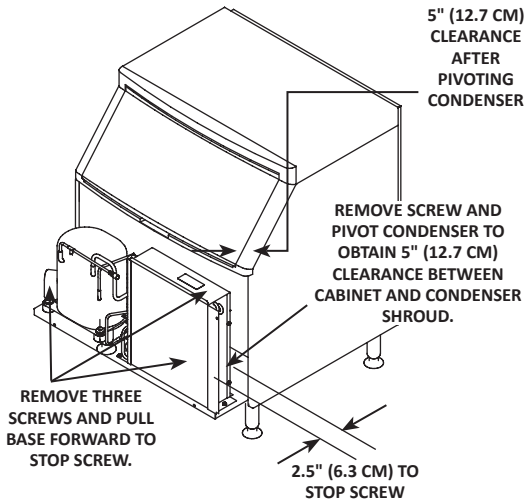
Access to remove, clean or replace the condenser fan/motor can be obtained by performing the following:

1. Disconnect electrical power to the ice machine at the electrical service disconnect.
2. Remove the screws that secure the condenser to the cabinet and the base to the cabinet.
3. Slide the base forward until contact is made with the stop screw (approximately 2.5" [6.3 cm]).

Caution

Do not move base past the stop screw, tubing damage could result.

4. Remove right hand screw securing condenser to base.
5. Pivot condenser forward to obtain 5" (12.7 cm) between the cabinet and condenser shroud. Take care not to kink refrigeration tubing.



PT1295A

Accessing the Condenser Fan Motor

THIS PAGE INTENTIONALLY LEFT BLANK

Component Specifications

Main Fuse

	Volt	Amp
KF0150 K0170 KF0250 K0270	250	10

Bin Switch

Bin switch operation is controlled by the movement of the ice damper.

ON/OFF/WASH Toggle Switch

Single-pole, double-throw switch. The switch is connected into a varying low D.C. voltage circuit.

Fan Control Cycle

Model	Cut-in (Close)	Cut-out (Open)
KF0150 K0170	275 psig \pm 5	225 psig \pm 5
KF0250 K0270	250 psig \pm 5	200 psig \pm 5

High Pressure Cutout (HPCO) Control

Cut-out	Cut-in
450 psig \pm 10 (3103 kPa \pm 69) 31 bar \pm .69	Automatic Reset
Must be below 300 psig (2068 kPa, 20.68 bar) to reset.	

Filter-Driers

Drier with dirt-retaining filtration.

Total System Refrigerant Charge

Important

This information is for reference only. Refer to the ice machine serial number tag to verify the system charge. Serial plate information overrides information listed on this page.

Model	Air-Cooled	Water-Cooled	Refrigerant Type
KF0150	14 oz (397 g)	NA	R404A
K0170	14 oz (397 g)	NA	R404A
KF0250	18 oz (510 g)	NA	R404A
K0270	22 oz (624 g)	16 oz (454 g)	R404A

Charts

Cycle Times, 24 Hr. Ice Production and Refrigerant Pressure Charts

These charts are used as guidelines to verify correct ice machine operation.

Accurate collection of data is essential to obtain the correct diagnosis.

- Refer to “Operational Analysis Chart” for the list of data that must be collected for refrigeration diagnostics. This list includes: before beginning service, ice production check, installation/visual inspection, water system checklist, ice formation pattern, safety limits, comparing evaporator inlet/outlet temperatures, harvest valve analysis, discharge and suction pressure analysis.
- Ice production checks that are within 10% of the chart are considered normal. This is due to variances in water and air temperature. Actual temperatures will seldom match the chart exactly.
- Zero out manifold gauge set before obtaining pressure readings to avoid mis-diagnosis.
- Discharge and suction pressure are highest at the beginning of the cycle. Suction pressure will drop throughout the cycle. Verify the pressures are within the range indicated.
- Production and cycle times are for dice cube - Half dice cube cycle times can be 2 - 3 minutes faster, depending on model and ambient temperature.

KF0150A SELF-CONTAINED AIR-COOLED

NOTE: These characteristics may vary depending on operating conditions.

Cycle Times

Freeze Time + Harvest Time = Total Cycle Time

Air Temp. Entering Condenser °F/°C	Freeze Time			Harvest Time
	Water Temperature °F/°C			
	50/10	70/21	90/32	
70/21	19.8-22.5	21.2-24.0	26.6-30.2	1.0-2.5
80/27	21.2-24.0	22.7-25.8	29.1-32.9	
90/32	23.6-26.8	26.6-30.2	30.4-34.5	
100/38	27.8-31.5	32.0-36.2	37.5-42.5	
110/43	35.5-40.2	42.4-48.0	52.6-59.4	

Times in minutes

24 Hour Ice Production

Air Temp. Entering Condenser °F/°C	Water Temperature °F/°C		
	50/10	70/21	90/32
70/21	165	155	125
80/27	155	145	115
90/32	140	125	110
100/38	120	105	90
110/43	95	80	65

Based on average ice slab weight of 2.44 – 2.75 lb (1107 – 1247 g).
Regular cube derate is 7%

Operating Pressures

Air Temp. Entering Condenser °F/°C	Freeze Cycle		Harvest Cycle	
	Discharge Pressure PSIG	Suction Pressure PSIG	Discharge Pressure PSIG	Suction Pressure PSIG
50/10	220-280	60-38	150-170	90-110
70/21	220-280	60-38	150-170	95-115
80/27	240-290	70-38	160-190	100-120
90/32	280-330	75-38	180-210	160-140
100/38	310-380	85-41	200-230	120-160
110/43	315-390	90-41	200-240	140-170

Suction pressure drops gradually throughout the freeze cycle

K0170A SELF-CONTAINED AIR-COOLED

NOTE: These characteristics may vary depending on operating conditions.

Cycle Times

Freeze Time + Harvest Time = Total Cycle Time

Air Temp. Entering Condenser °F/°C	Freeze Time			Harvest Time
	Water Temperature °F/°C			
	50/10	70/21	90/32	
70/21	17.6-20.1	20.5y-23.3	24.5-28.0	1.0-2.5
80/27	19.8-22.5	20.9-23.9	27.8-31.5	
90/32	20.9-23.9	24.5-28.0	28.1-31.9	
100/38	25.5-29.0	30.4-34.5	33.7-38.3	
110/43	32.0-36.2	39.8-45.1	48.7-55.1	

Times in minutes

24 Hour Ice Production

Air Temp. Entering Condenser °F/°C	Water Temperature °F/°C		
	50/10	70/21	90/32
70/21	175	160	130
80/27	165	150	120
90/32	150	130	115
100/38	130	110	97
110/43	105	85	70

Based on average ice slab weight of 2.44 – 2.75 lb (1107 – 1247 g).
Regular cube derate is 7%

Operating Pressures

Air Temp. Entering Condenser °F/°C	Freeze Cycle		Harvest Cycle	
	Discharge Pressure PSIG	Suction Pressure PSIG	Discharge Pressure PSIG	Suction Pressure PSIG
50/10	220-280	60-38	150-170	90-110
70/21	220-280	60-38	150-170	95-115
80/27	240-290	70-38	160-190	100-120
90/32	280-330	75-38	180-210	160-140
100/38	310-380	85-41	200-230	120-160
110/43	315-390	90-41	200-240	140-170

Suction pressure drops gradually throughout the freeze cycle

KF0250 SELF-CONTAINED AIR-COOLED

NOTE: These characteristics may vary depending on operating conditions.

Cycle Times

Freeze Time + Harvest Time = Total Cycle Time

Air Temp. Entering Condenser °F/°C	Freeze Time			Harvest Time
	Water Temperature °F/°C			
	50/10	70/21	90/32	
70/21	12.3-14.0	14.5-16.5	16.5-18.8	1.0-2.5
80/27	13.1-15.5	15.2-17.4	17.5-19.9	
90/32	14.1-16.1	18.0-20.5	20.5-23.3	
100/38	15.2-17.4	21.2-24.0	24.5-27.8	
110/43	16.5-18.8	25.5-29.0	30.4-34.5	

Times in minutes

24 Hour Ice Production

Air Temp. Entering Condenser °F/°C	Water Temperature °F/°C		
	50/10	70/21	90/32
70/21	255	220	195
80/27	240	210	185
90/32	225	180	160
100/38	210	155	135
110/43	195	130	110

Based on average ice slab weight of 2.44 – 2.75 lb (1107 – 1247 g).

Operating Pressures

Air Temp. Entering Condenser °F/°C	Freeze Cycle		Harvest Cycle	
	Discharge Pressure PSIG	Suction Pressure PSIG	Discharge Pressure PSIG	Suction Pressure PSIG
50/10	200-255	60-22	165-200	70-95
70/21	200-255	60-23	170-205	70-100
80/27	200-290	60-24	175-210	75-100
90/32	235-320	65-25	200-240	80-105
100/38	260-370	70-31	215-255	85-120
110/43	310-365	80-42	230-270	110-130

Suction pressure drops gradually throughout the freeze cycle

K0270 SELF-CONTAINED AIR-COOLED

NOTE: These characteristics may vary depending on operating conditions.

Cycle Times

Freeze Time + Harvest Time = Total Cycle Time

Air Temp. Entering Condenser °F/°C	Freeze Time			Harvest Time
	Water Temperature °F/°C			
	50/10	70/21	90/32	
70/21	11.0-12.6	12.8-14.7	14.5-16.5	1.0-2.5
80/27	11.3-12.9	13.1-15.0	14.8-16.9	
90/32	12.6-14.3	14.8-16.9	17.0-19.3	
100/38	14.1-16.1	17.0-19.3	19.8-22.5	
110/43	15.2-17.4	19.8-22.5	23.6-26.8	

Times in minutes

24 Hour Ice Production

Air Temp. Entering Condenser °F/°C	Water Temperature °F/°C		
	50/10	70/21	90/32
70/21	280	245	220
80/27	275	240	215
90/32	250	215	190
100/38	225	190	165
110/43	210	165	140

Based on average ice slab weight of 2.44 – 2.75 lb (1107 – 1247 g).
Regular cube derate is 7%

Operating Pressures

Air Temp. Entering Condenser °F/°C	Freeze Cycle		Harvest Cycle	
	Discharge Pressure PSIG	Suction Pressure PSIG	Discharge Pressure PSIG	Suction Pressure PSIG
50/10	200-255	60-22	165-200	70-95
70/21	200-255	60-22	170-205	70-100
80/27	200-295	61-23	175-210	75-100
90/32	240-330	65-26	205-240	80-100
100/38	265-375	66-30	220-260	85-115
110/43	320-380	80-42	230-275	115-135

Suction pressure drops gradually throughout the freeze cycle

K0270 SELF-CONTAINED WATER-COOLED

NOTE: These characteristics may vary depending on operating conditions.

Cycle Times

Freeze Time + Harvest Time = Total Cycle Time

Air Temp. Around Ice Machine °F/°C	Freeze Time			Harvest Time
	Water Temperature °F/°C			
	50/10	70/21	90/32	
70/21	10.6-12.2	12.3-14.0	13.5-15.4	1.0-2.5
80/27	10.8-12.4	12.6-14.3	13.8-15.7	
90/32	11.0-12.6	12.8-14.7	14.1-16.1	
100/38	11.3-12.9	13.1-15.0	14.5-16.5	

Times in minutes

24 Hour Ice Production

Air Temp. Around Ice Machine °F/°C	Water Temperature °F/°C		
	50/10	70/21	90/32
70/21	290	255	235
80/27	285	250	230
90/32	280	245	225
100/38	275	240	220

Based on average ice slab weight of 2.44 – 2.75 lb (1107 – 1247 g).
Regular cube derate is 7%

Condenser Water Consumption	90/32 Air Temperature Around Ice Machine		
	Water Temperature °F/°C		
	50/10	70/21	90/32
Gal/24 hours	240	410	2740

Water regulating valve set to maintain 240 PSIG discharge pressure

Operating Pressures

Air Temp. Around Ice Machine °F/°C	Freeze Cycle		Harvest Cycle	
	Discharge Pressure PSIG	Suction Pressure PSIG	Discharge Pressure PSIG	Suction Pressure PSIG
50/10	235-245	52-24	175-210	80-95
70/21	235-245	54-24	175-210	80-95
80/27	235-250	56-24	175-210	80-95
90/32	235-255	58-24	175-210	80-95
100/38	235-260	60-24	175-210	80-95

Suction pressure drops gradually throughout the freeze cycle

Diagrams

Wiring Diagrams

The following pages contain electrical wiring diagrams. Be sure you are referring to the correct diagram for the ice machine you are servicing.

Warning

Always disconnect power before working on electrical circuitry.

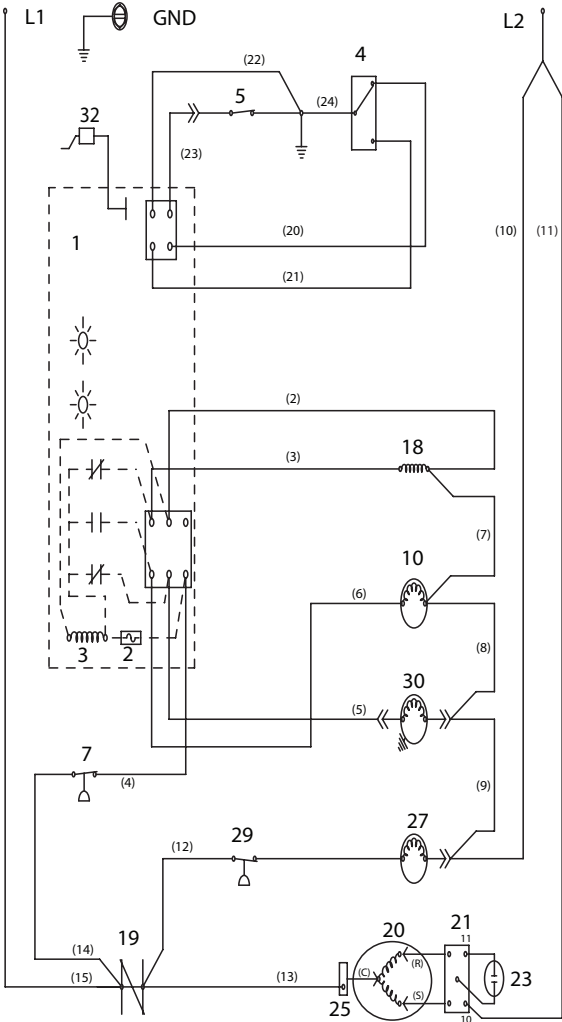
Wiring Diagram Legend

The following symbols are used on all of the wiring diagrams:

- * Internal Compressor Overload
(Some models have external compressor overloads)
- ** Fan Motor Run Capacitor
(Some models do not incorporate fan motor run capacitor)
- () Wire Number Designation
(The number is marked at each end of the wire)
- >>— Multi-pin Connection
(Electrical Box Side) —>
(Compressor Compartment Side)>—

KF0150/K0170 WIRING DIAGRAM

NOTE: Diagram shown in the freeze cycle



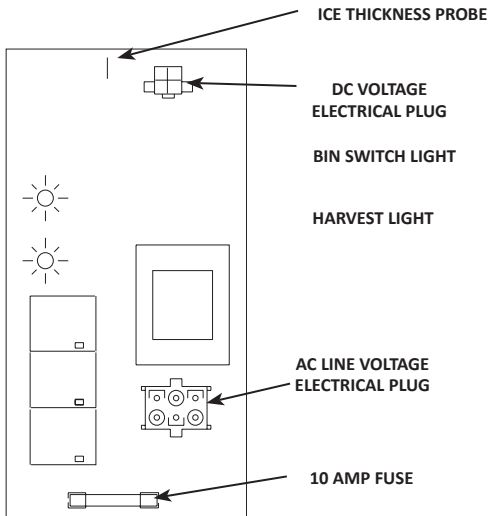
KF0150/K0170 WIRING DIAGRAM LEGEND

Item	Description
1	Control Board
2	Fuse
3	Transformer
4	On/Off /Clean Switch
5	Bin Switch
6	Bin Thermostat
7	High Pressure Cut Out
10	Harvest Solenoid Valve
18	Contactor Coil
19	Contactor Contacts
20	Compressor
21	Compressor Relay
23	Compressor Start Capacitor
25	Compressor Overload
27	Condenser Fan Motor
29	Fan Cycle Control
30	Water Pump
32	Ice Thickness Control

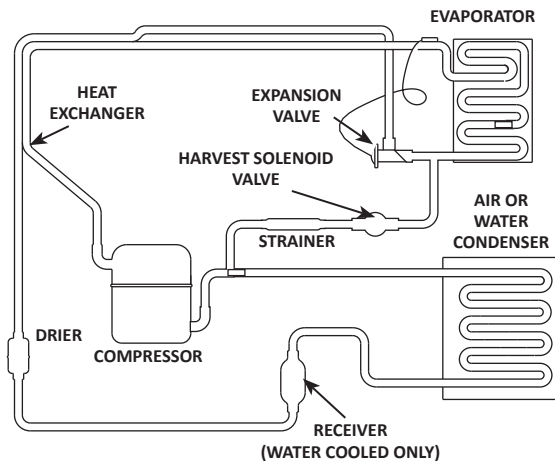
KF0250/K0270 WIRING DIAGRAM LEGEND

Item	Description
1	Control Board
2	Fuse
3	Transformer
4	On/Off /Clean Switch
5	Bin Switch
6	Bin Thermostat
7	High Pressure Cut Out
10	Harvest Solenoid Valve
18	Contactora Coil
19	Contactora Contacts
20	Compressor
21	Compressor Potential Relay
23	Compressor Start Capacitor
25	Compressor Overload - May be internal or external
27	Condenser Fan Motor
29	Fan Cycle Control
30	Water Pump
32	Ice Thickness Control

Electronic Control Board



KF0150/K0170/KF0250/K0270 Tubing Schematic



SV3023

Notes

Notes

KOOLAIRE®

MANITOWOC ICE
2110 SOUTH 26TH STREET
MANITOWOC, WI 54220

800-545-5720
WWW.KOOL-AIRE.COM