

## FEATURES & BENEFITS

### SMART ENERGY SAVINGS MODE

Energy saving feature allows unit to power off the refrigeration system after 2 hours of non-use and dark ambient light conditions. Unit will automatically start back up next time unit is used or lights are turned back on.

### PROGRAMMABLE FEATURES

Program your cooler to be in off mode during planned facility shut downs, change the settings on the digital readout for bright or dim display, adjust sensor range, and review settings and error codes.

### VANDAL RESISTANT FEATURES

Exceptional vandal resistance features include a hidden programming button, anti-rotational bubbler head with an optional stainless steel bubbler head, UPC impact tested bowl supports, Torx bit access screws, steel frame, and fasteners hidden from public view.

### UNIVERSAL MOUNTING

Specially designed internal configuration allows for mounting over existing competitors rough-ins.

### BUBBLER HEAD

Bubbler features a flexible antimicrobial mouth guard to protect against injury and microorganisms. Anti-rotational design prevents unwanted attempts to remove or rotate the head.

### FRESH FILTERED WATER

Always fresh, filtered water, 3000-gallon (11,356 L) capacity, Electronic Lifecycle Control filter cartridge will shut off water flow when capacity is reached. To ensure fresh, filtered water, flow will only start again when filter is changed. LED readout on bottle filler will notify user when capacity of filter is less than 10% remaining or expired.

### BOTTLE FILLER

Quick fill sensor-operated bottle filler is accessible to all users, has LED lighting to illuminate the fill area, and an integral basin that drains directly to the waste.

### ELECTRONIC DISPLAY

Intuitive LED electronic display educates users when the bottle filler is activated, when the water is being filtered and how many plastic bottles have been saved. Vandal-resistant sensor resists scratching and water droplet fowling.



## SPECIFICATIONS

Model 1211SF indoor wall-mount ADA stainless steel filtered water cooler and bottle filling station shall include an ASHRAE compliant, hermetically sealed refrigeration system with thermostat. Unit features a unique, modern design with 304 satin finish stainless steel outer shell. Energy savings feature powers down refrigeration system after 2 hours of non-use and the lights shut off, and will automatically start again when used. The unit can also be programmed to shut down during planned facility closures, weekends, etc. Digital LED interface keeps user apprised of programming and error codes. The 3000-gallon (11,356 L) filter with Electronic Lifecycle Control turns water off when capacity is reached. Flow will begin again when new filter is installed. Bottle filler basin drains directly to the units waste. The system includes an electronic front push bar controlled solenoid valve, and a .45 gpm self-regulating, anti-rotational bubbler head with flexible antimicrobial mouth guard, bubbler head deactivation feature, and LED illuminated bottle fill area. 115 Volts, 60Hz, rated watts: 350, full load amps: 5. Dimensions: (L x W x H) 18-3/4 x 15-11/16 x 40-3/4"

## APPLICATIONS

Great for schools, office buildings, shopping malls, and other indoor environments where there is a demand for a chilled water source. CSA certified to comply with NSF/ANSI 42, NSF/ANSI 53, NSF/ANSI/CAN 61:  $Q \leq 1$ , NSF/ANSI/CAN 372, ASME A112.18.1/CSA B125.1, ASME112.19.3/CSA B45.4, UL 399 and CSA C22.2 No. 120. ADA compliant to ICC A117.1, CSA B651, DOJ's 2010 ADA Standards for Accessible Design when properly installed. ASHRAE 18 compliant chilling capacity of 8.0 gallon per hour of 50 degree drinking water, based on 80 degree inlet water and 90 degree ambient temperature. FCC ID: 2AUAN-1200SF and IC: 25959-1200SF. Electric water coolers are not recommended or designed for outdoor applications or enclosed pool areas (chlorine), and failure to heed these conditions may void warranty.



## OPTIONS

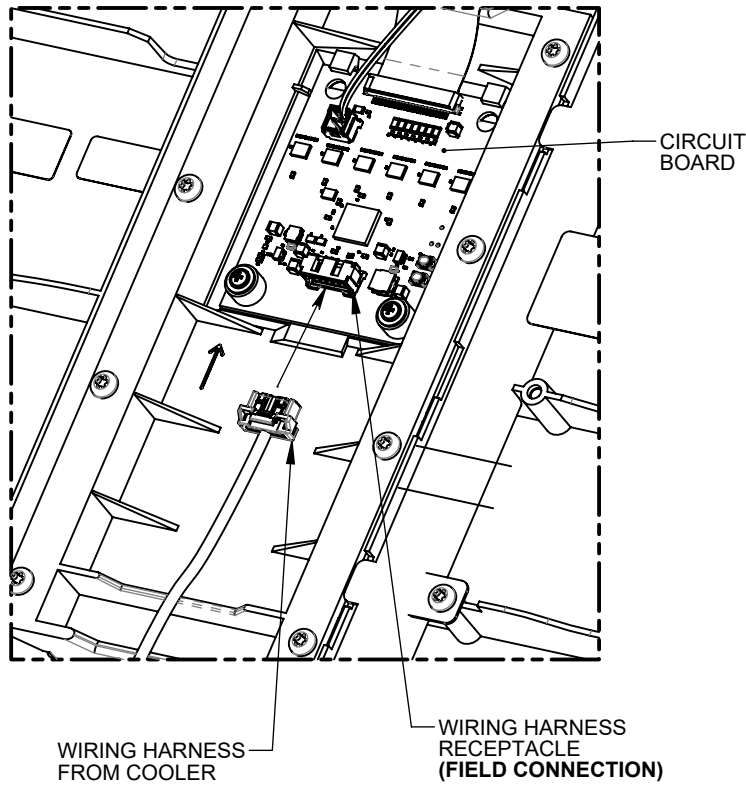
- 12 Pack Filter Cartridges for Haws Water Cooler: Model 6428-C, pack of twelve 3000-gallon (11356 L) replacement liters with Electronic Lifecycle Control for Haws 1200 series water coolers
- Bubbler Head: Model 5716, stainless steel bubbler head for the Haws 1200 series water coolers.

For more information, visit [www.hawsco.com](http://www.hawsco.com) or call (888) 640-4297.

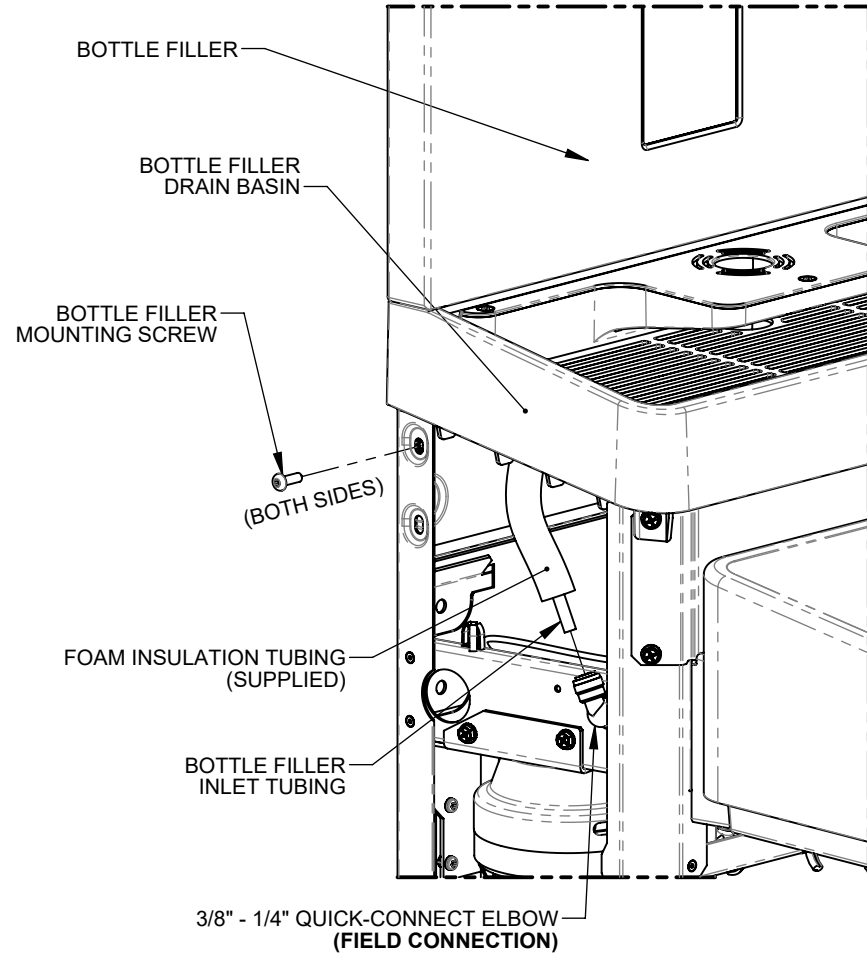





# BOTTLE FILLER INSTALLATION DETAILS



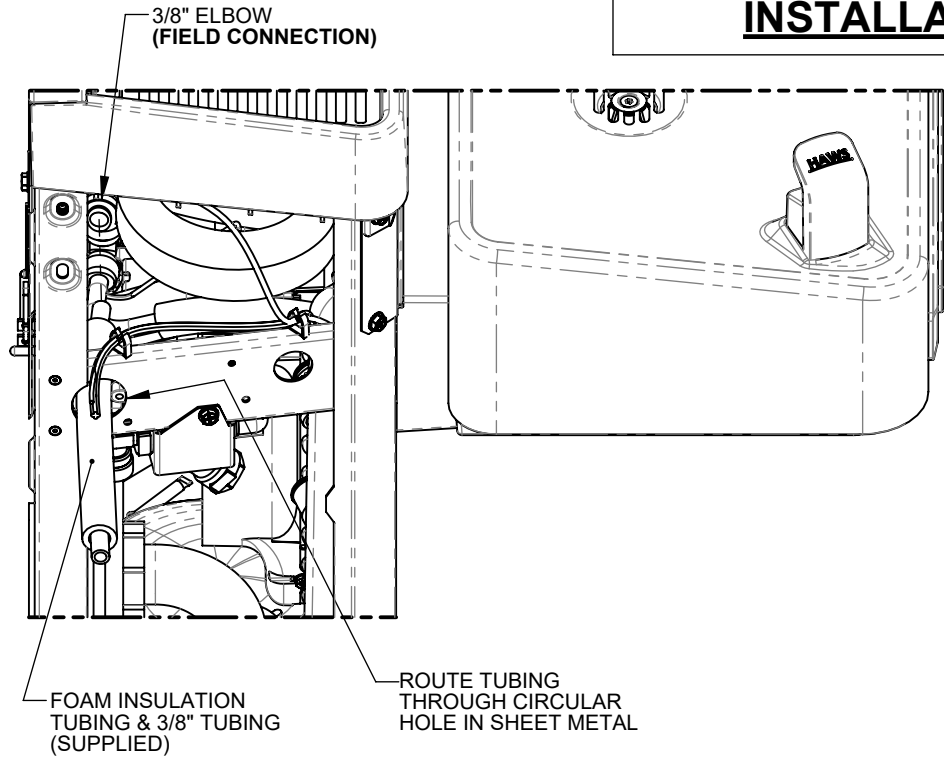
**WIRING HARNESS CONNECTION  
(REAR OF BOTTLE FILLER)**



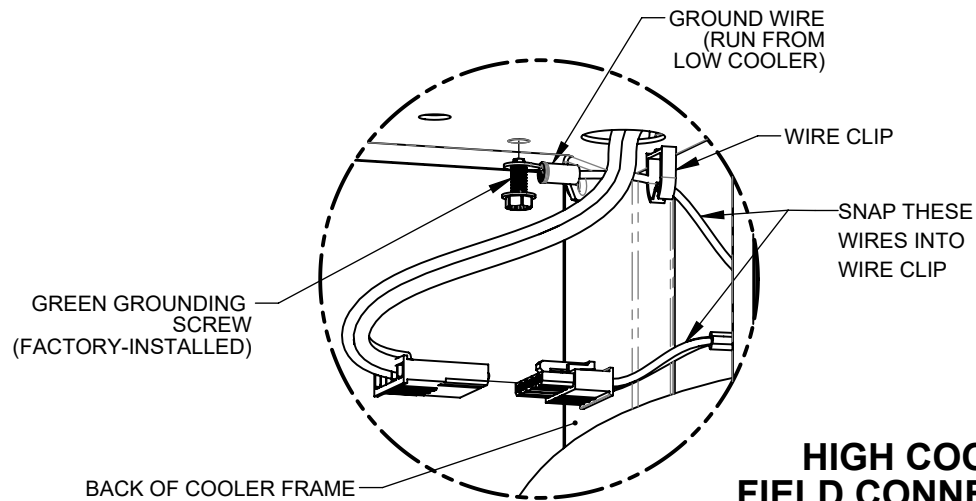
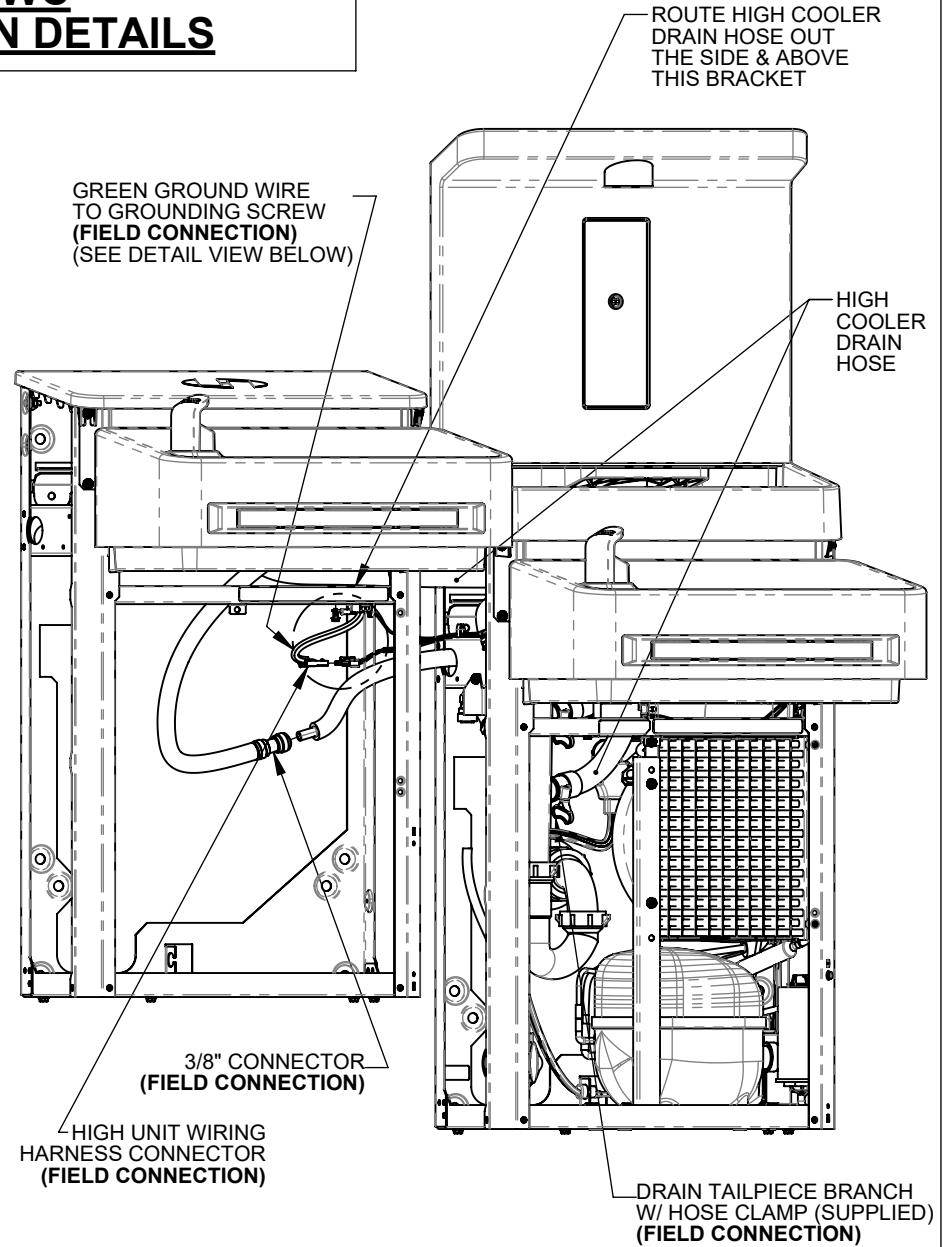
**BOTTLE FILLER MOUNTING &  
TUBING CONNECTION**

		1455 KLEPPE LANE SPARKS, NEVADA 89431 (775) 359-4712 FAX (775) 359-7424 E-MAIL: HAWS@HAWSO.COM WEBSITE: WWW.HAWSO.COM	
		ECN: 5343 DRAWN: JL APPROVED: DHP	REV. ECN: 5883 DATE: 07/25/18 DATE: 05/11/23
PART NUMBER 0510000866.D			REVISION 8
SCALE: 1:12   DRAWING TYPE: INSTALLATION   SIZE: A		SHEET 3 OF 7	


# HIGH EWC INSTALLATION DETAILS



**HIGH EWC TUBING CONNECTION  
(ON LOW COOLER)**



**HIGH COOLER  
FIELD CONNECTIONS**



1455 KLEPPE LANE  
SPARKS, NEVADA 89431  
(775) 359-4712 FAX (775) 359-7424  
E-MAIL: HAWS@HAWSO.COM  
WEBSITE: WWW.HAWSO.COM

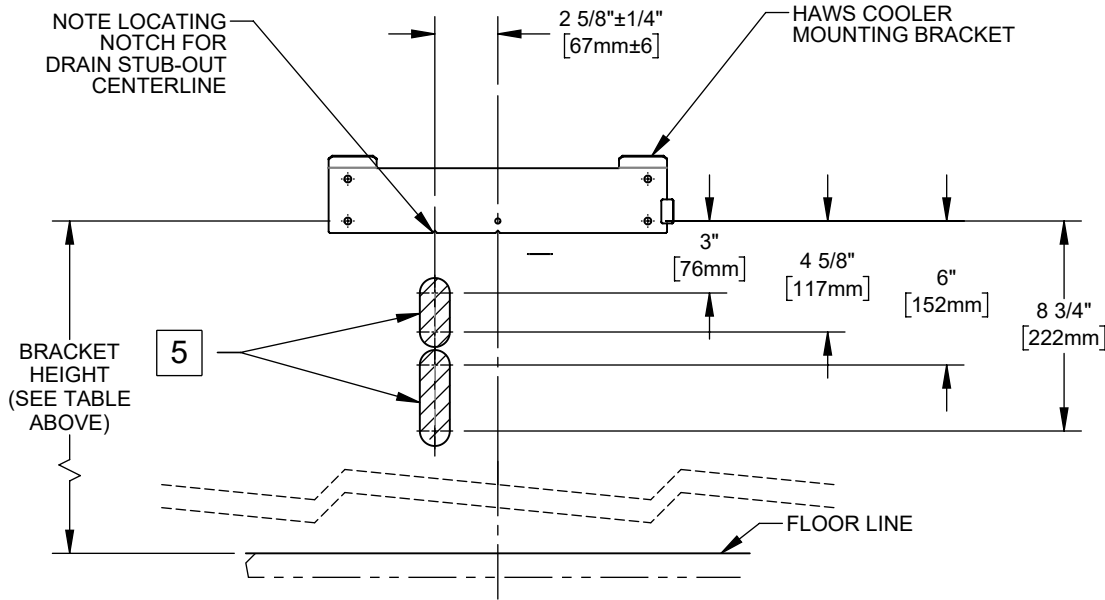
ECN: 5343	REV. ECN: 5883	BY: JU	MODEL(S)	PART NUMBER
DRAWN: JL	DATE: 07/25/18	CHKD: JU	12XX ELECTRIC WATER COOLERS	0510000866.D
APPROVED: DHP	DATE: 05/11/23			REVISION
		SCALE: 1:24	DRAWING TYPE: INSTALLATION	8
			SIZE: A	SHEET 4 OF 7

# RETROFIT INSTALLATION DETAILS

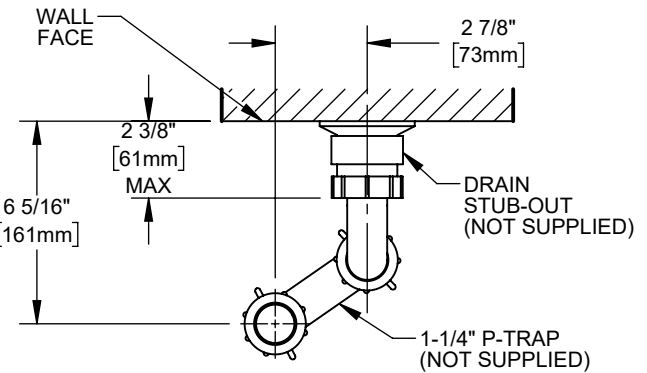
### 3 RETROFIT TABLE

MANUFACTURER	MODEL
HAWS	ALL MODELS STARTING WITH HWUACP
ELKAY/HALSEY TAYLOR	- ALL MODELS STARTING WITH EB, EI, EMA, EN, EZ, HAC HVR, LI, LMA, LZ, TB, & TI  - SINGLE COOLER MODELS STARTING WITH VRC & LVR
OASIS	ALL VERSACOOLER II MODELS
SUNROC	ALL MODELS STARTING WITH ADA A171, A171.8, & A172.8UBL MODELS
MURDOCK	NOTE: THE WATER STOP VALVE MUST BE RELOCATED TO RETROFIT A FILTERED 12XX COOLER

LOW COOLER BRACKET HEIGHT		
ADULT STANDING	ADULT ADA	CHILD ADA
33 7/8"	28 3/8"	25 3/8"



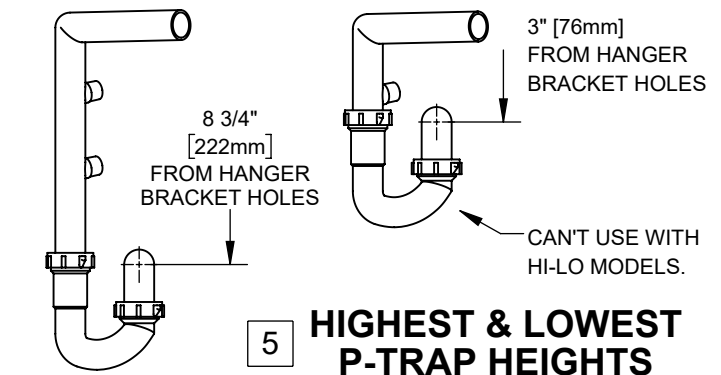
**5 PERMISSIBLE LOCATIONS FOR DRAIN STUB-OUT**



**6 DRAIN STUB-OUT/P-TRAP DETAIL (VIEWED FROM TOP)**

**NOTES:**

- 3 THE 12XX COOLER SERIES IS ABLE TO RETROFIT IN PLACE OF A NUMBER OF COMPETITOR MODELS. SEE RETROFIT TABLE ABOVE FOR PARTIAL LIST OF COOLERS ABLE TO BE REPLACED BY THIS ONE.  
**THE FOLLOWING DISCLAIMERS APPLY:**
  - THE 12XX COOLER CENTERLINE MAY NOT MATCH THE OLD COOLER'S CENTERLINE, SINCE THE 12XX COOLER DRAIN MUST BE 2 5/8" OFF OF CENTER. THIS MAY AFFECT ADA COMPLIANCE.
  - FOR HI-LO COOLER RETROFITS, EXISTING RIGHT-SIDE COOLER MUST BE THE LOW COOLER. DRAIN, WATER, AND ELECTRIC SERVICES MUST BE POSITIONED BEHIND RIGHT-SIDE UNIT.
  - THERE MUST BE WALL BLOCKING OR OTHER STRUCTURAL MATERIAL BEHIND HAWS MOUNTING HOLES.
  - VERIFY THAT DRAIN, ELECTRIC, & WATER SERVICES ARE LOCATED WITHIN BOUNDARIES SPECIFIED ON THIS SHEET AND THE NEXT. SOME RETROFITS MAY REQUIRE THE ELECTRIC OUTLET TO BE MOVED.
- 4 THE P-TRAP IS NOT SUPPLIED. THE VERTICAL DIMENSIONS GIVEN ARE BASED UPON INSTALLATION USING OF A KEENEY 200W P-TRAP, AND SHOULD THEREFORE BE REGARDED AS REFERENCE-ONLY.
- 5 THE CENTERLINE OF THE DRAIN STUB-OUT MUST BE BETWEEN 3" [76mm] & 4-5/8" [118mm] OR BETWEEN 6" [152mm] & 8-3/4" [229mm] BELOW THE LOWERMOST EWC MOUNTING BRACKET HOLES IN ORDER FOR THE P-TRAP TO AFFIX PROPERLY TO THE DRAIN TAILPIECE.
  - DEPENDING ON STUB-OUT HEIGHT, SOME TRIMMING OF THE TAILPIECE WILL BE REQUIRED.
  - MOUNTING THE STUB-OUT IN THE HIGHER RANGE WILL REQUIRE TRIMMING THE TAILPIECE ABOVE THE LOWER DRAIN HOSE BRANCH. **IN THIS INSTANCE, THEREFORE, A HI-LO COOLER CANNOT BE INSTALLED.**
- 6 WHATEVER P-TRAP AND STUB-OUT PLUMBING ARE USED, CARE SHOULD BE TAKEN TO ENSURE THAT THE P-TRAP CAN SEAL TO THE STUB-OUT PROPERLY AND STILL ALIGN TO THE DRAIN TAILPIECE (LOCATED AT THE GIVEN DIMENSIONS).



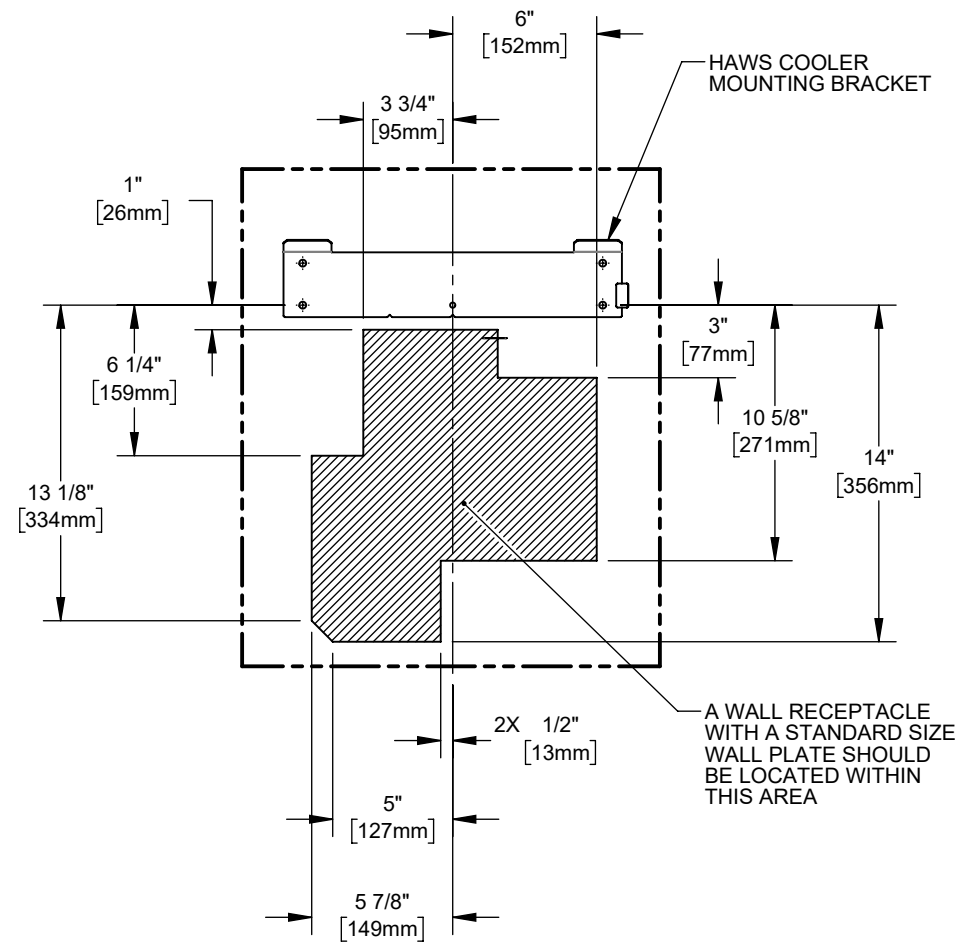
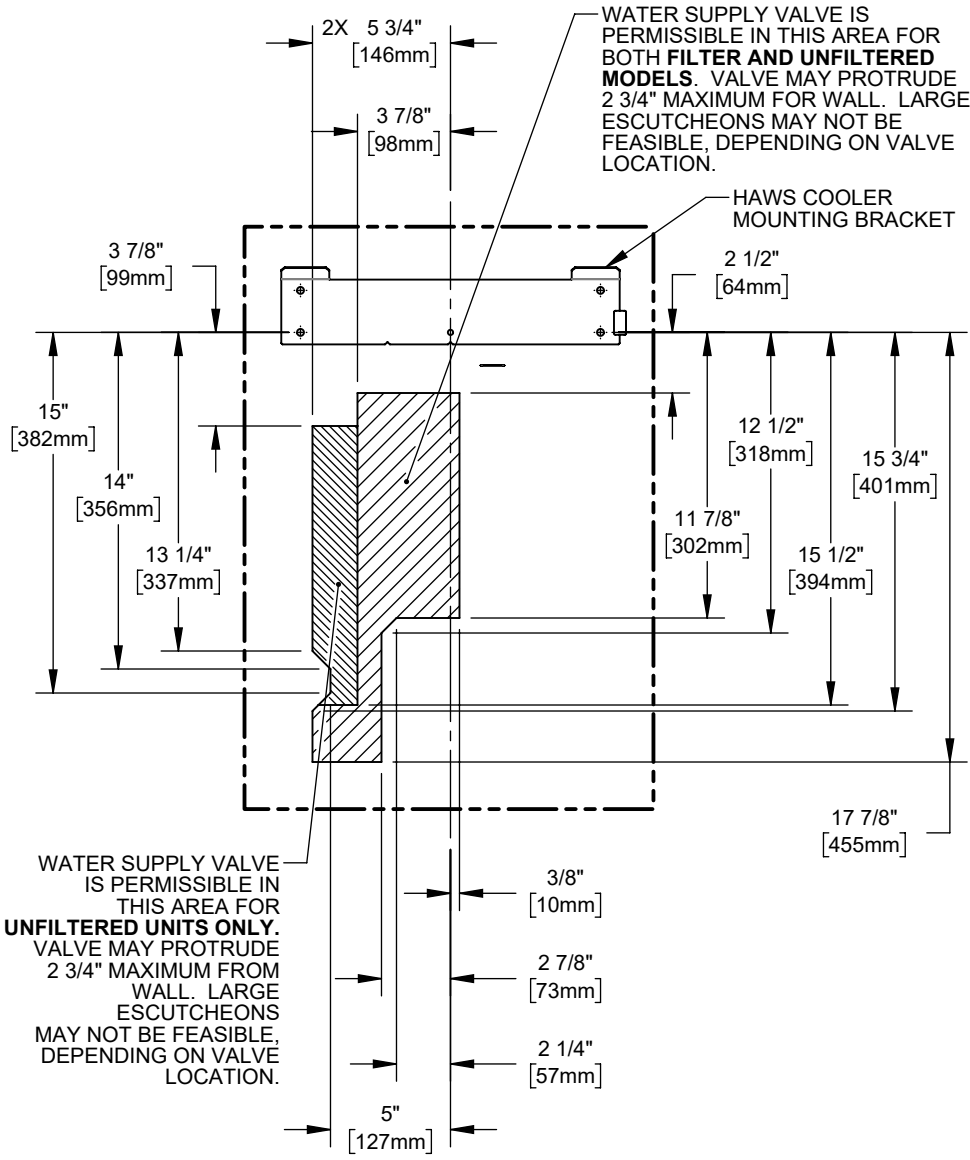
**5 HIGHEST & LOWEST P-TRAP HEIGHTS**



1455 KLEPPE LANE  
SPARKS, NEVADA 89431  
(775) 359-4712 FAX (775) 359-7424  
E-MAIL: HAWS@HAWS.CO.COM  
WEBSITE: WWW.HAWS.CO.COM

ECN: 5343	REV. ECN: 5883	BY: JU	MODEL(S): 12XX ELECTRIC WATER COOLERS	PART NUMBER: 0510000866.D
DRAWN: JL	DATE: 07/25/18	CHKD: JU		REVISION: 8
APPROVED: DHP	DATE: 05/11/23	SCALE: 1:8	DRAWING TYPE: INSTALLATION	SIZE: A SHEET 5 OF 7

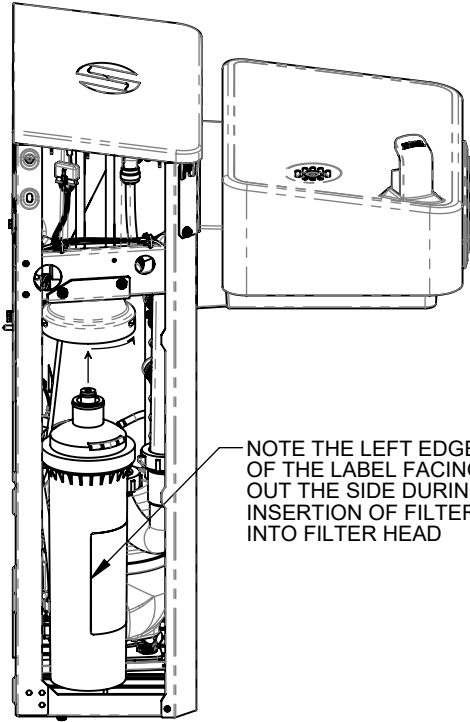
# RETROFIT INSTALLATION DETAILS



1455 KLEPPE LANE  
SPARKS, NEVADA 89431  
(775) 359-4712 FAX (775) 359-7424  
E-MAIL: HAWS@HAWSCO.COM  
WEBSITE: WWW.HAWSCO.COM

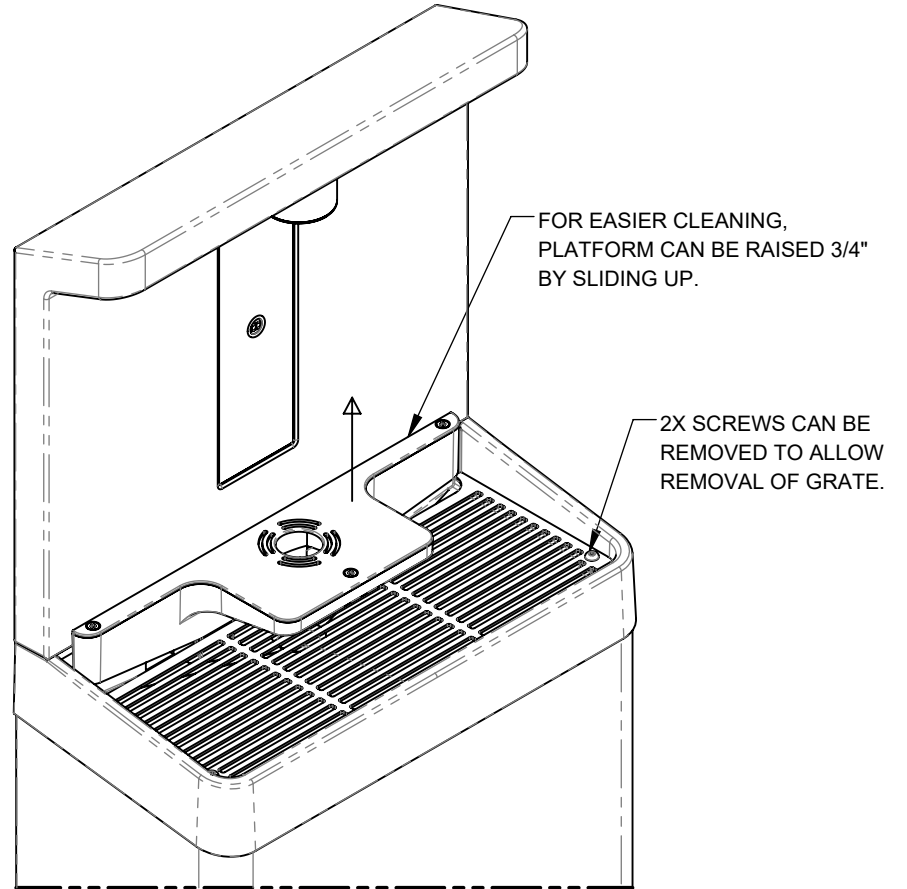
ECN: 5343	REV. ECN: 5883	BY: JU	MODEL(S) 12XX ELECTRIC WATER COOLERS	PART NUMBER 0510000866.D
DRAWN: JL	DATE: 07/25/18	CHKD: JU		REVISION 8
APPROVED: DHP	DATE: 05/11/23	SCALE: 1:8	DRAWING TYPE: INSTALLATION	SHEET 6 OF 7

# MAINTENANCE



NOTE THE LEFT EDGE OF THE LABEL FACING OUT THE SIDE DURING INSERTION OF FILTER INTO FILTER HEAD

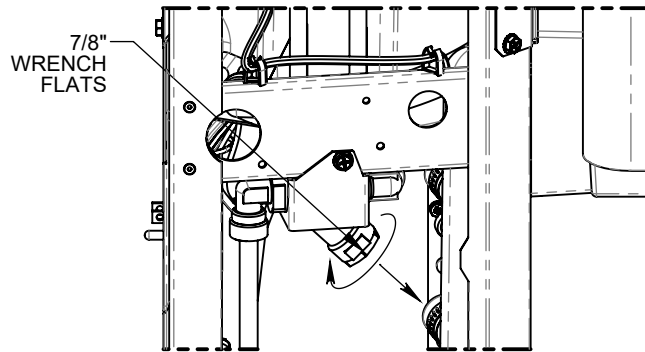
## FILTER REPLACEMENT



FOR EASIER CLEANING, PLATFORM CAN BE RAISED 3/4" BY SLIDING UP.

2X SCREWS CAN BE REMOVED TO ALLOW REMOVAL OF GRATE.

## CLEANING DRAIN BASIN AREA



7/8" WRENCH FLATS

## Y-STRAINER CLEANING



1455 KLEPPE LANE  
SPARKS, NEVADA 89431  
(775) 359-4712 FAX (775) 359-7424  
E-MAIL: HAWS@HAWS.CO.COM  
WEBSITE: WWW.HAWS.CO.COM

ECN: 5343	REV. ECN: 5883	BY: JU	MODEL(S) 12XX ELECTRIC WATER COOLERS	PART NUMBER 0510000866.D
DRAWN: JL	DATE: 07/25/18	CHKD: JU		REVISION 8
APPROVED: DHP	DATE: 05/11/23	SCALE: 1:8	DRAWING TYPE: INSTALLATION	SIZE: A
				SHEET 7 OF 7