

## FEATURES & BENEFITS

### CONSTRUCTION

Superior strength and durability are achieved with the use of 12 gauge Type 304 Stainless Steel, along with integral 3/8" (.95 cm) thick cast stainless bowls. The unit is trimmed with a glossy green powder-coat finish and it is secured to the ground with an integral mounting plate.

### DRAIN CLEAN-OUT

Top-down access to the drain allows the fountain portion to be cleaned without taking the unit apart, good for outdoor settings with drain-clogging sediment such as leaves, garbage, and other debris.

### ACCESSIBILITY

Ease of maintenance is achieved with the use of an extra-large access door supplied with heavy-duty door hinges, and is locked by square key pins.

### BARRIER FREE

Barrier-free capabilities combined with its ease of use allows for a number of installation location possibilities.

### PET ACCESS

Unique design allows for canine access so pet and owner can quench their thirst in one place.

### BUBBLER HEAD

Polished chrome-plated brass bubbler head with integral basin shank for added strength. Shielded, angled stream opening provides a steady, sanitary source of drinking water at .45 gpm.

### DRINKING FOUNTAIN VALVE

The push-button activated valve offers the only all stainless steel valve body that is machined out of solid bar stock, is fully serviceable through the front of the push button assembly offering access to the water control cartridge and integral water supply strainer, and with front access to the water stream height adjustment for easy maintenance without having to remove the valve. Operating pressure range of 30 to 90 psi (2.1 to 6.2 bar).

### VANDAL RESISTANT

The bubbler heads, push buttons, drain strainers and access panels are locked in place, discouraging unwanted vandal tampering.



## SPECIFICATIONS

Model 3500D superior-duty vandal-resistant pedestal drinking fountain with attached pet fountain shall include a 12 gauge Type 304 Stainless Steel pedestal with integral 3/8" (.95 cm) thick cast stainless steel basins, all with green powder-coating, vandal-resistant push-button operated stainless steel valves with front-accessible cartridge and flow adjustment, 100% lead free waterways, polished chrome-plated brass vandal-resistant bubbler heads, polished chrome-plated brass vandal-resistant waste strainers with top-down clean-out access, pet basin with modified waste strainer to accommodate a puddle effect, large access door with heavy-duty hinges and square key locks, vandal-resistant bottom plate, integral mounting plate, and 1-1/2" slip waste.

## APPLICATIONS

Taking performance and protection to a whole new level is this superior-duty drinking fountain. This unique drinking fountain is the perfect addition to parks, rest areas, and correctional facilities where vandalism may be more prone to take place. By welding the bowls directly to the uprights, they become one with the unit, preventing removal. That, in addition to many other features for vandal-resistance, makes this fountain virtually indestructible. This series fountain may also be applicable in a wide assortment of other places, specifically dog parks due to the ground level animal accessibility. Model meets all current Federal Regulations for the disabled including those in the Americans with Disabilities Act. Haws manufactures drinking fountains, faucets and electric water coolers to be lead-free by all known definitions including NSF/ANSI/CAN 61-Section 9, NSF/ANSI/ CAN 372, California Proposition 65, and the Federal Safe Drinking Water Act. Product is compliant to California Health and Safety Code 116875 (AB 1953-2006), and 116876 (AB 100) "NSF/ANSI/CAN 61: Q ≤ 1".



## OPTIONS

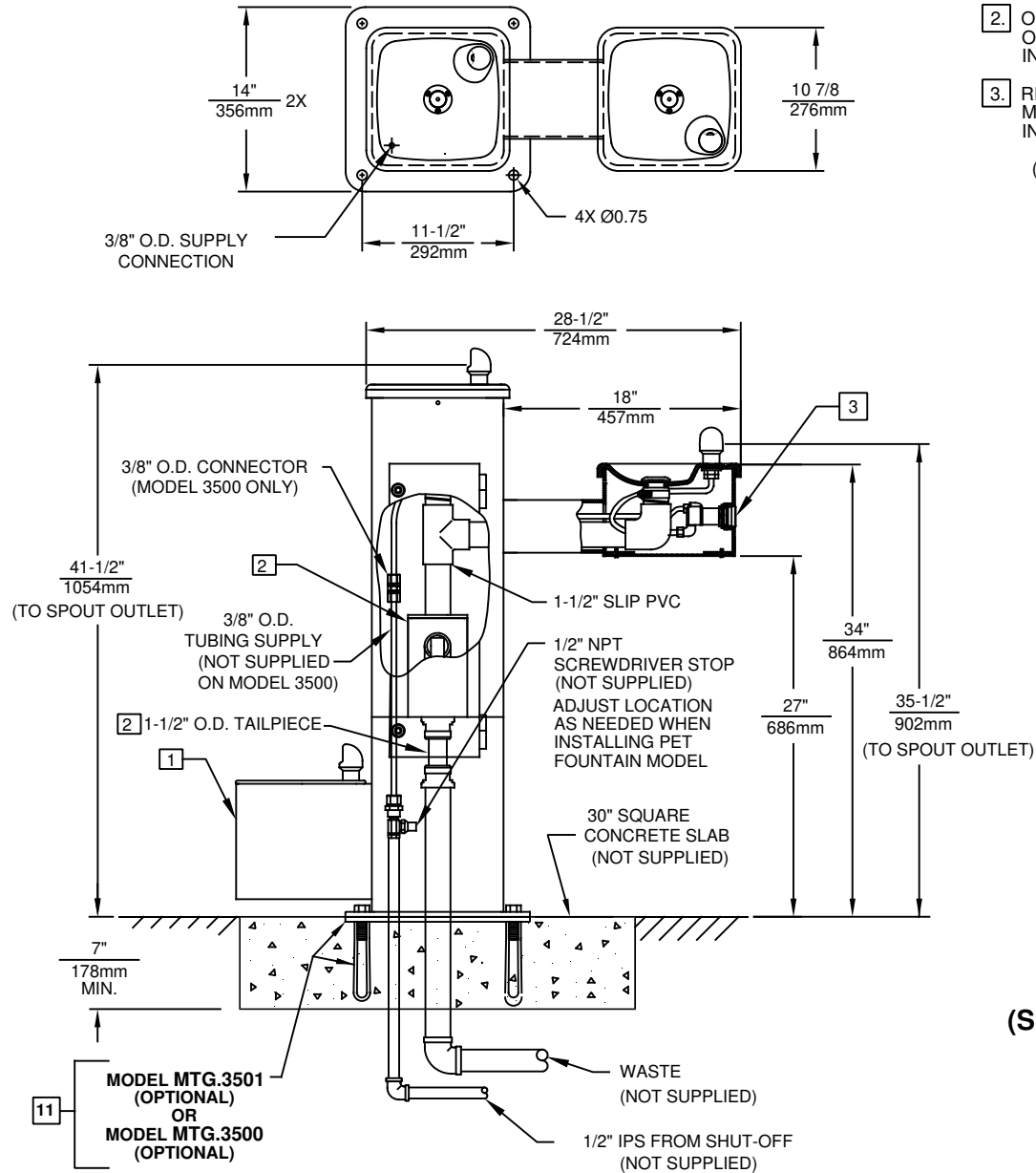
- Mounting Plate: Model MTG.3500 mounting plate gives in-ground support for the 3500 series pedestal fountains and includes the mounting hardware.
- Mounting System: Model MTG.3501, galvanized steel anchors.
- Sand Trap: Model 6611, sand trap for installing adjacent to pedestal drinking fountains to help prevent debris and contaminants from clogging waste line.
- Sand Trap: Model 6635, in-pedestal sand trap for models 3500, 3511 and 3600 series fountains.

For more information, visit [www.hawsco.com](http://www.hawsco.com) or call (888) 640-4297.


NOTES: (UNLESS OTHERWISE SPECIFIED)

1. PET FOUNTAIN IS STANDARD FOR MODEL 3500D ONLY. SEE SHEET 2 FOR INSTALLATION DETAILS.
2. OPTIONAL SAND TRAP MODEL 6635 W/ MOUNTING PLATE AND 1-1/2" O.D. TAILPIECE. SEE MODEL 6635 FOR ADDITIONAL INSTALLATION INSTRUCTIONS.
3. REFER TO 5874 SERIES OPERATION AND MAINTENANCE MANUAL FOR PUSH BUTTON AND VALVE INSTALLATION/MAINTENANCE INSTRUCTIONS.

(NOTES CONTINUED ON SHEET 2)



**MODEL 3500 SHOWN  
(SEE SHEET 2 FOR MODEL 3500D)**

		1455 KLEPPE LANE SPARKS, NEVADA 89431 (775) 359-4712 FAX (775) 359-7424 E-MAIL: HAWS@HAWSCO.COM WEBSITE: WWW.HAWSCO.COM	
		PART NUMBER <b>0002077448.D</b>	
ECN NO. REVISED PER BY:	ECN: 5253	JP	MODEL(S)
DRAWN: DATE:	F. VASQUEZ 02-04-99	GC	3500/3500D
APPROVED: DATE:	FV 11/22/17		REVISION <b>16</b>
SCALE: 1:13		DRAWING TYPE: INSTALLATION	SIZE: A SHEET 1 OF 2

4 SLIDE DOWELS ON DOG BOWL INTO HOLES OF PEDESTAL AND ROTATE UPWARD.

5 INSTALL 7/16-14UNC NUT ON STUD AND TIGHTEN 3/4 TURN PAST HAND TIGHT.

6 BOND JOINTS WITH PVC CEMENT AND PRIMER.

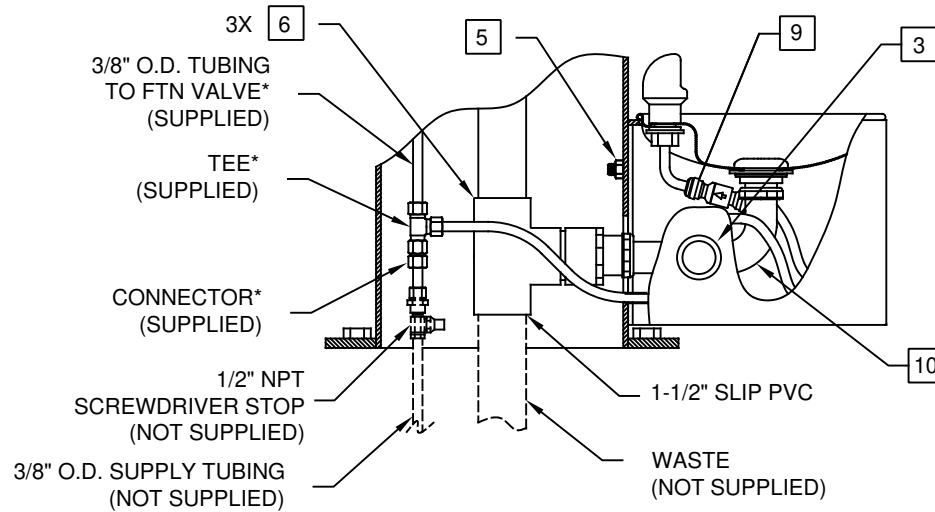
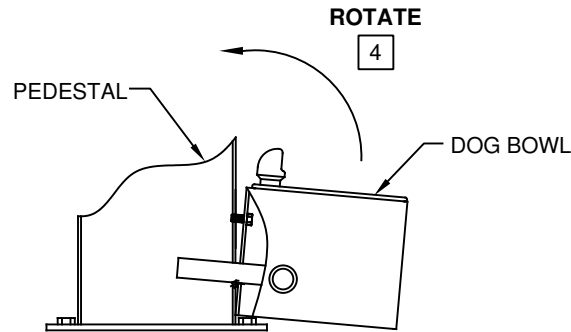
7. APPLY SUPPLY HOSE AND WASTE LINE.

8. TEST SYSTEM AFTER ASSEMBLY.

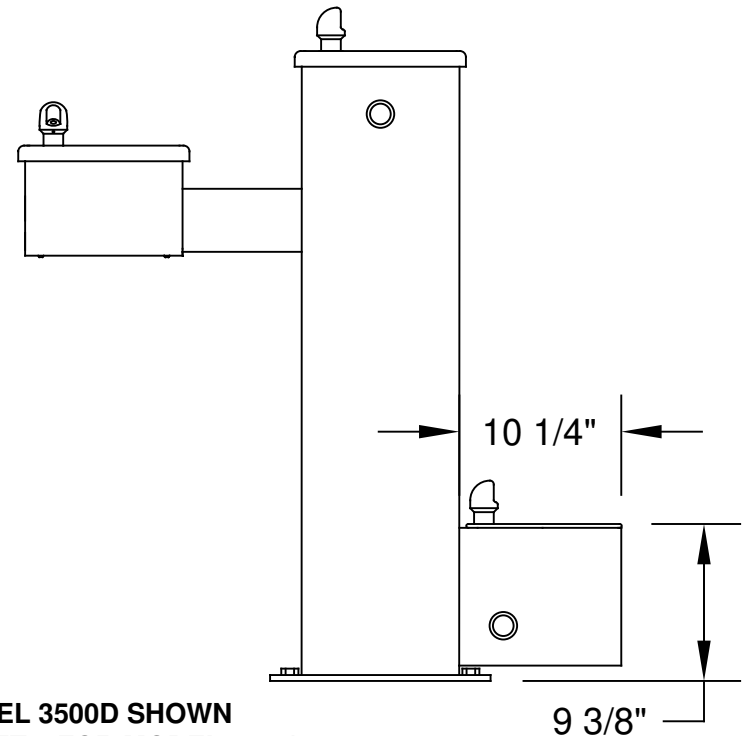
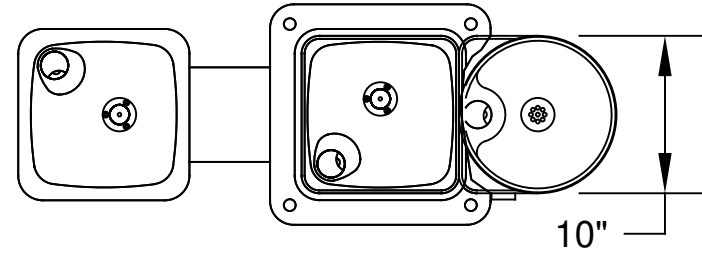
9 A CHECK VALVE IS INSTALLED IN THIS LOCATION TO PREVENT CROSS CONNECTION BETWEEN BUBBLERS.

10 NOTE: DRAINAGE ASSEMBLY SLIDES VERTICALLY ON HOLDER. UPON COMPLETION OF INSTALLATION, PUSH UP ON BOTTOM OF ELBOW TO ENSURE POSITIVE DRAINAGE OF WASTE.


11 MOUNTING HARDWARE NOT SUPPLIED. SEE PARTS BREAKDOWN DRAWING FOR HARDWARE SUPPLIED WITH EACH OPTIONAL KIT.



**\*NOTE: TEE SHOWN ASSEMBLED FOR REFERENCE ONLY. POSITION TEE AND TRIM TUBING AS NEEDED TO FIT INSTALLATION APPLICATION.**



**MODEL 3500D SHOWN  
(SEE SHEET 1 FOR MODEL 3500)**

		<b>Haws</b> <sup>®</sup>		1455 KLEPPE LANE SPARKS, NEVADA 89431 (775) 359-4712 FAX (775) 359-7424 E-MAIL: HAWS@HAWSCO.COM WEBSITE: WWW.HAWSCO.COM	
ECN NO.	REVISED PER	BY:	MODEL(S)	PART NUMBER	
	ECN: 5253	JP	3500/3500D	0002077448.D	
DRAWN:	DATE:	CHK'D.:		REVISION	
M.F.	06-06-00	GC		16	
APPROVED:	DATE:	SCALE:	DRAWING TYPE:	SIZE:	SHEET 2 OF 2
FV	11/22/17	1:12	INSTALLATION	A	