

# Willoughby Stainless Fountains



## WODF-3 Series Outdoor Drinking Fountain

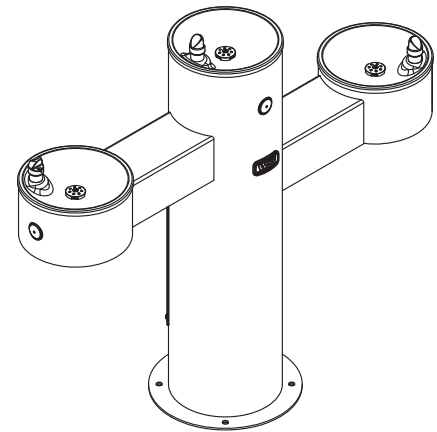
### Recommended Specifications

Willoughby Model **WODF-3** outdoor drinking fountain is a triple-level, vandal resistant drinking fountain with Type 304 stainless steel 10" Schedule-10 main column and 7 GA. flange.

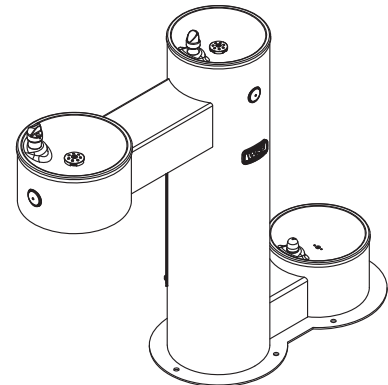
Fountain shall have high-polished, 18 GA. stainless steel bowls with anti-rotation, anti-squirt, solid stainless steel bubblers. Bubblers shall be activated by pedestal mounted solid stainless steel push button assemblies, which control lead-free, self-closing valves.

Push buttons shall require less than 5 lbs. of force to operate. Push buttons shall be adjustable to ensure adequate flow without being wasteful. **WODF-3** fountain shall be lead-free, adhering to ANSI/NSF 61, Section 9, ANSIA117.1. Fixtures in (HC) and (CHD) configurations shall meet American Disabilities Act of 2010 (ADA) compliance requirements.

Optional mounting kit available for purchase consisting of stainless steel anchors, nuts, washers and rubber gasket washers. If optional kit is not used, stainless steel hardware recommended.



WODF-3-HC-CHD



WODF-3-HC-PET  
(SIDE PET LOCATION)

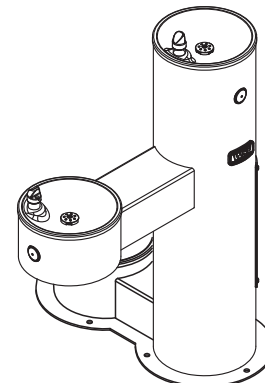
### Standard Features

- \* Adult ADA and Child (JR.) ADA compliant fixture configurations available
- \* Heavy duty Type 304 stainless steel 10" Schedule-10 main column and 7 GA. flange
- \* Optional marine-grade Type 316 stainless steel body for installations near salt water
- \* High polished stainless steel bowls
- \* Solid stainless steel, anti-rotation bubblers
- \* Serviceable mesh strainer on inlet water supply
- \* Heavy-duty main column access panel
- \* Resistant to sunlight, heat and vandalism
- \* Stainless steel adjustable push buttons
- \* Powder coat finish (color options on page 2)

To specify fixture and color, use the Model Number and Options Guide.

Example: To specify a WODF-3 outdoor drinking fountain with Adult ADA and Child-height (JR. ADA) bowls, in Red color

Use the following Willoughby Model Number: **WODF-3-HC-CHD-R**



WODF-3-CHD-PET  
(REAR PET LOCATION)



**WARNING: Cancer and Reproductive Harm**

- [www.P65Warnings.ca.gov](http://www.P65Warnings.ca.gov)

visit our website at [www.willoughbystainlessfountains.com](http://www.willoughbystainlessfountains.com)

5105 West 78th Street • Indianapolis, IN. 46268  
(317) 875-0830 • Fax: (317) 875-0837 • (800) 428-4065



MADE IN THE U.S.A.

# MODEL NUMBER AND OPTIONS:

## 1.) Outdoor Drinking Fountain Type:

WODF-3 Three-bowl Outdoor Drinking Fountain

## 2.) Bowl Height (other than main column bowl, select two):

HC Adult ADA Compliant  
 CHD Child (JR. ADA Compliant)  
 PET Pet Bowl  
 Side  Rear

## 3.) Options:

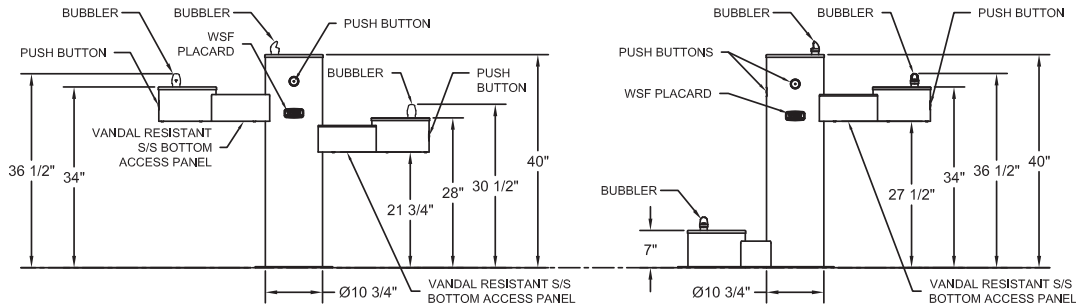
316-3 316 Stainless Steel Body, Triple  
 CAR-10-1 Surface Carrier, Single (Including mounting hardware)  
 CAR-10-2 Surface Carrier, Double, Used With Pet Bowl Only (Including mounting hardware)  
 SOV Shut Off Valve  
 SCV Seasonal Bowl Covers (3)  
 JF/FW Jug Filler / Foot Wash  
 HBE Hose Bibb Exposed  
 HBLD Recessed Hose Bibb W/Lock Door  
 HH Hose / Leash Hanger  
 WSFMK4 4 Bolt Hole Mounting Kit (Not req'd with Carrier option)  
 WSFMK6 6 Bolt Hole Mounting Kit, Used With Pet Bowl Only (Not req'd with Carrier option)

## 4.) Colors (select one):

SL Silver  
 G Green  
 R Red  
 BL Blue  
 O Orange  
 V Violet  
 Y Yellow  
 BR Brown  
 BK Black  
 BE Beige  
 W White  
 YG Yellow Green  
 LBL Light Blue  
 GT Graphite (Textured)  
 MTW Matte White

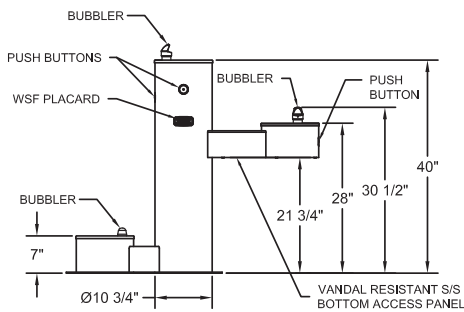
Approved For Manufacturing By: \_\_\_\_\_ Date: \_\_\_\_\_ Company: \_\_\_\_\_

Wall Thickness: \_\_\_\_\_ Wall Type: \_\_\_\_\_

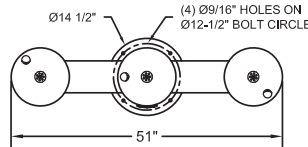


WODF-3-HC-CHD

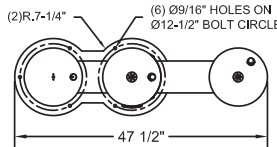
WODF-3-HC-PET



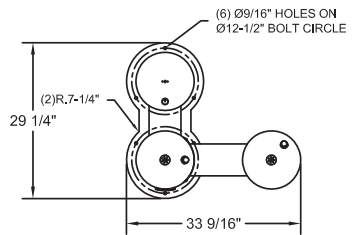
WODF-3-CHD-PET



WODF-3-HC-CHD



WODF-3-HC-PET & WODF-3-CHD-PET (SIDE PET LOCATION)



WODF-3-HC-PET & WODF-3-CHD-PET (REAR PET LOCATION)

VERIFY ALL DIMENSIONS WITH FACTORY PRIOR TO ROUGH-IN  
WILLOUGHBY RESERVES THE RIGHT TO MAKE CHANGES IN DESIGN AND DIMENSIONS WITHOUT FORMAL NOTICE AND WITHOUT INCURRING OBLIGATION.

**ADA COMPLIANCE**  
 FIXTURE COMPLIES WITH ADA ACCESSIBILITY REQUIREMENTS WHEN INSTALLED ACCORDING TO THE STANDARD. INSTALLATION MAY REQUIRE ADDITIONAL FIXTURES, COMPONENTS AND/OR CONSTRUCTION FEATURES TO BE FULLY COMPLAINT. CONSULT THE LOCAL CODE AUTHORITY IF NEEDED.

visit our website at [www.wiloughbystainlessfountains.com](http://www.wiloughbystainlessfountains.com)

5105 West 78th Street • Indianapolis, IN. 46268

(317) 875-0830 • Fax: (317) 875-0837 • (800) 428-4065



MADE IN THE U.S.A.