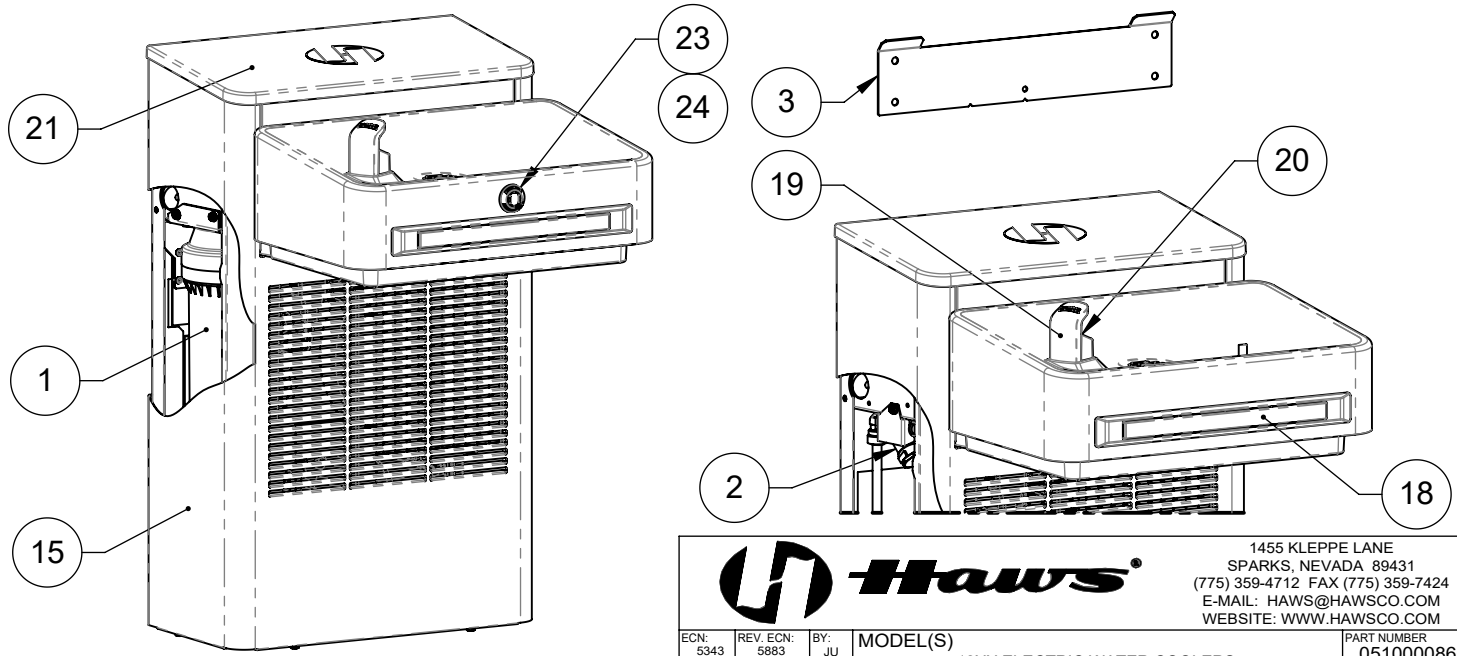



ITEM	DESCRIPTION	1201S	1201SF/ 1201SFH	1202S	1202SF/ 1202SFH	1211S/ 1211SH	1211SF/ 1211SFH	1212S/ 1212SH	1212SF/ 1212SFH
1	FILTER		6428		6428		6428		6428
2	Y-STRAINER	6437		6437		6437		6437	
3	EWC MOUNTING BRACKET	0410000264	0410000264	0410000264	0410000264	0410000264	0410000264	0410000264	0410000264
4	SOLENOID VALVE	5876	5876	5876	5876	5876	5876	5876	5876
5	FAN BLADE	0510002023	0510002023	0510002023	0510002023	0510002023	0510002023	0510002023	0510002023
6	THERMOSTAT	5810	5810	5810	5810	5810	5810	5810	5810
7	BOTTLE FILLER ASSEMBLY					1930	1930	1930	1930
8	BOTTLE FILLER NOZZLE					VRKNOZ1	VRKNOZ1	VRKNOZ1	VRKNOZ1
9	BOTTLE FILLER MOUNTING BRACKET					0410000265	0410000265	0410000265	0410000265
10	DRAIN BASIN					0410000746	0410000746	0410000746	0410000746
11	DRAIN GRATE					0410000748	0410000748	0410000748	0410000748
12	PLATFORM SUPPORT					0410000747	0410000747	0410000747	0410000747
13	PLATFORM					0410000749	0410000749	0410000749	0410000749
14	BOTTLE FILLER DRAIN BASIN (OLDER STYLE WITHOUT METAL GRATE)					0410000286	0410000286	0410000286	0410000286
15	SINGLE EWC SKIRT	SK11	SK11			SK11	SK11		
16	HI-LO EWC LOWER SKIRT			SK13	SK13			SK13	SK13
17	HI-LO EWC UPPER SKIRT			SK12	SK12			SK12	SK12
18	PUSH BUTTON ASSEMBLY	PBA10	PBA10	PBA10	PBA10	PBA10	PBA10	PBA10	PBA10
19	BUBBLER HEAD (FLEXIBLE)	5715	5715	5715	5715	5715	5715	5715	5715
	BUBBLER HEAD (OPTIONAL VANDAL-RESISTANT STAINLESS STEEL)	5716	5716	5716	5716	5716	5716	5716	5716
20	BUBBLER NOZZLE (PLASTIC)	RK5715	RK5715	RK5715	RK5715	RK5715	RK5715	RK5715	RK5715
	BUBBLER NOZZLE (OPTIONAL STAINLESS STEEL)	RK5716	RK5716	RK5716	RK5716	RK5716	RK5716	RK5716	RK5716
21	EWC CAP	0410000282	0410000282	0410000282	0410000282			0410000282	0410000282
22	FEED-THROUGH COVER			0410000280	0410000280			0410000280	0410000280
23	BOWL SENSOR (H MODELS ONLY)		VRKHO4		VRKHO4	VRKHO4	VRKHO4	VRKHO4	VRKHO4
24	BOWL SENSOR BEZEL (H MODELS ONLY)		0310000364		0310000364	0310000364	0310000364	0310000364	0310000364
25	BOTTLE FILLER SENSOR AND DISPLAY					1931	1931	1931	1931
26	COMPRESSOR THERMAL PROTECT FOR UNITS WITHOUT SN PREFIX	HC115	HC115	HC115	HC115	HC115	HC115	HC115	HC115
27	COMPRESSOR START RELAY FOR UNITS WITHOUT SN PREFIX	HC116	HC116	HC116	HC116	HC116	HC116	HC116	HC116
28	COMPRESSOR THERMAL PROTECT FOR UNITS WITH "J" SN PREFIX	HP115	HP115	HP115	HP115	HP115	HP115	HP115	HP115
29	COMPRESSOR START RELAY FOR UNITS WITH "J" SN PREFIX	HP116	HP116	HP116	HP116	HP116	HP116	HP116	HP116
30	COMPRESSOR CAPACITOR FOR UNITS WITH "J" SN PREFIX	HP119	HP119	HP119	HP119	HP119	HP119	HP119	HP119
31	FAN MOTOR FOR UNITS WITHOUT SN PREFIX	HC117	HC117	HC117	HC117	HC117	HC117	HC117	HC117

PARTS BREAKDOWN VIEWS ARE REPRESENTATIVE ONLY. YOUR MODEL MAY VARY. SEE NEXT SHEET FOR ADDITIONAL PARTS.





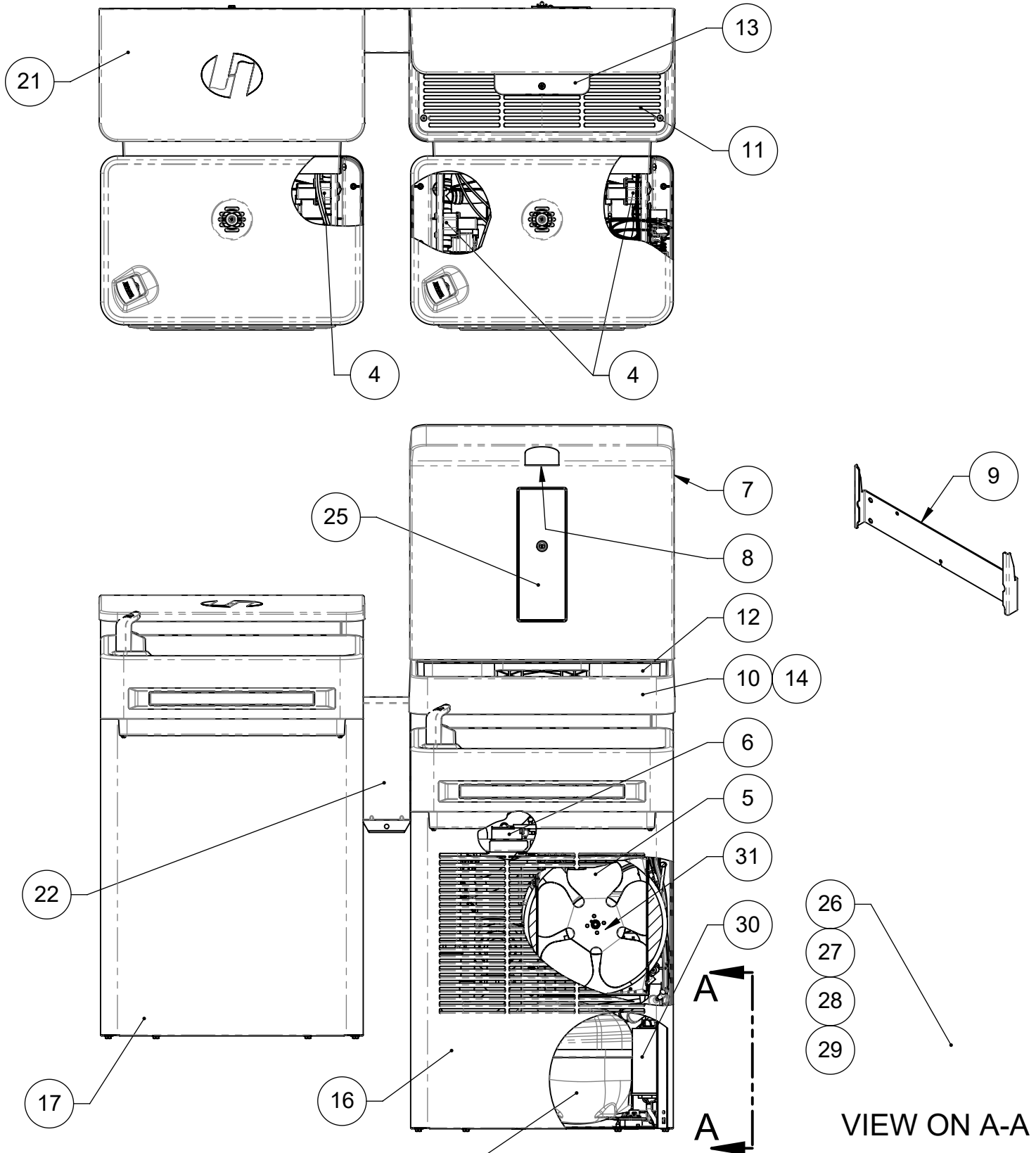
Haws

1455 KLEPPE LANE
SPARKS, NEVADA 89431
(775) 359-4712 FAX (775) 359-7424
E-MAIL: HAWS@HAWSO.COM
WEBSITE: WWW.HAWSO.COM

ECN: 5343	REV. ECN: 5883	BY: JU	MODEL(S)	PART NUMBER
DRAWN: JL	DATE: 07/25/18	CHKD: JU	12XX ELECTRIC WATER COOLERS	0510000866
APPROVED: DHP	DATE: 05/11/23			REVISION
SCALE: 1:8			DRAWING TYPE: PARTS BREAKDOWN	SIZE: A SHEET 1 OF 2

WHEN ORDERING PARTS, PLEASE SPECIFY PART NUMBER

PARTS BREAKDOWN VIEWS ARE REPRESENTATIVE ONLY. YOUR MODEL MAY VARY. SEE PREVIOUS SHEET FOR PART NUMBERS & ADDITIONAL PARTS.



COMPRESSOR

VIEW ON A-A



1455 KLEPPE LANE
SPARKS, NEVADA 89431
(775) 359-4712 FAX (775) 359-7424
E-MAIL: HAWS@HAWS.CO.COM
WEBSITE: WWW.HAWS.CO.COM

ECN: 5343	REV. ECN: 5883	BY: JU	MODEL(S)	PART NUMBER
DRAWN: JL	DATE: 07/25/18	CHKD: JU	12XX ELECTRIC WATER COOLERS	0510000866
APPROVED: DHP	DATE: 05/11/23		SCALE: 1:8	REVISION
			DRAWING TYPE: PARTS BREAKDOWN	8
			SIZE: A	SHEET 2 OF 2

WHEN ORDERING PARTS, PLEASE SPECIFY PART NUMBER